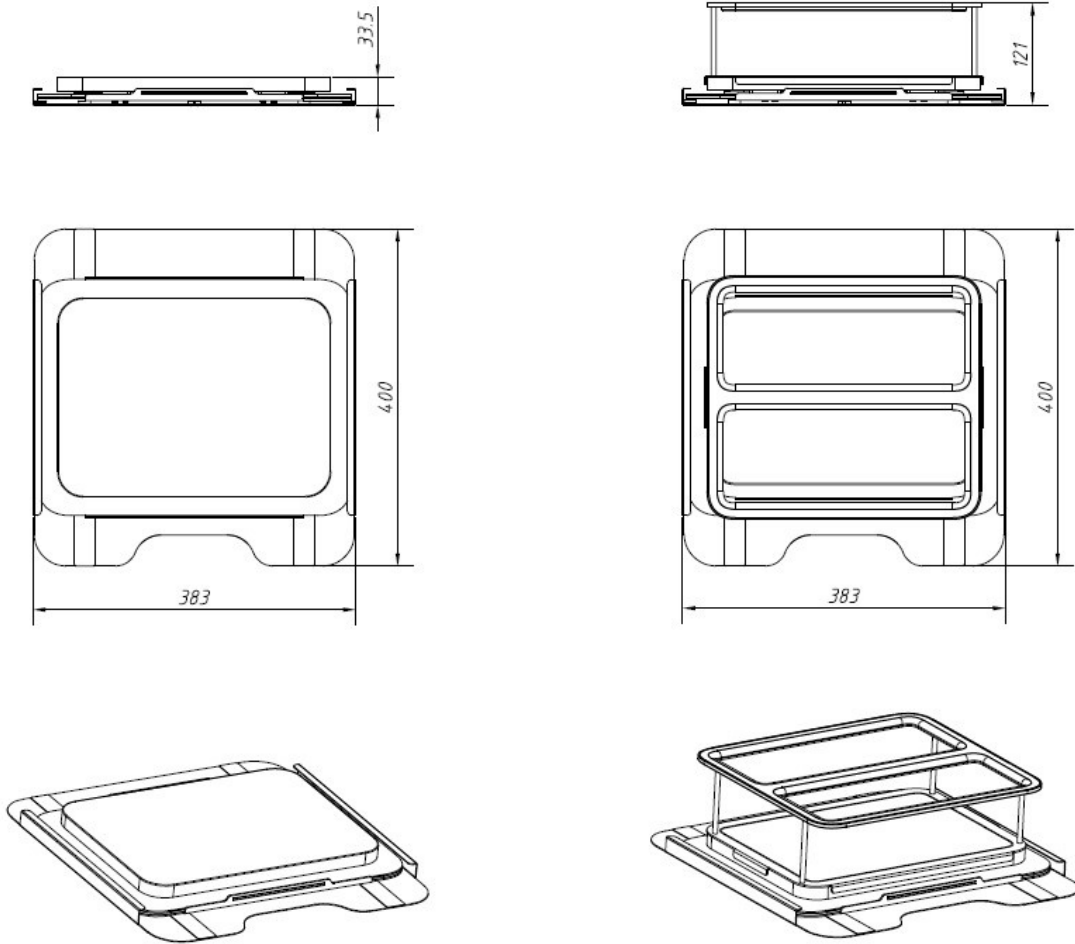


*Structure and Dimension(mm)*



*Application*

