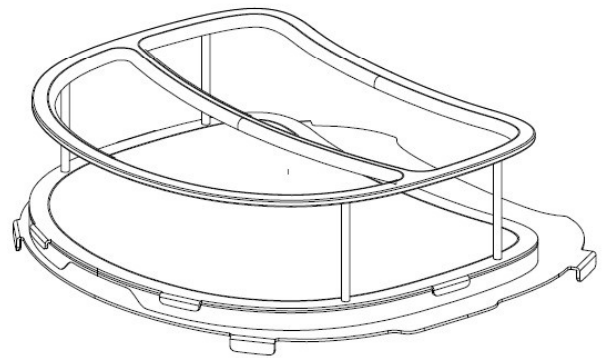
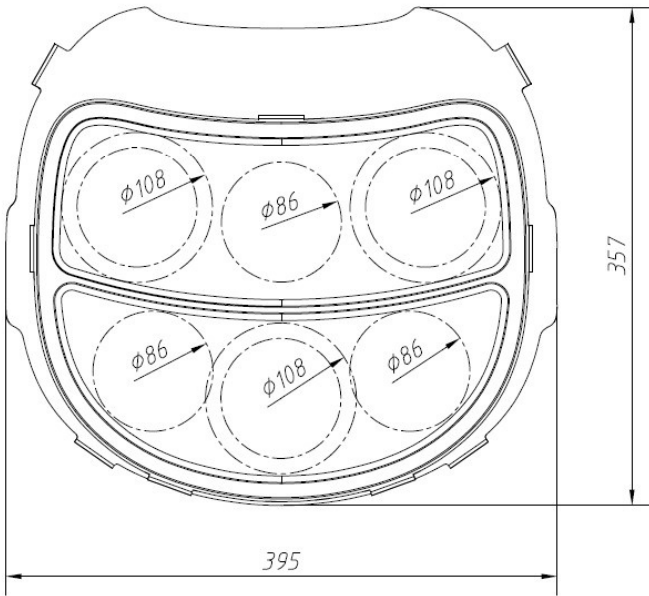
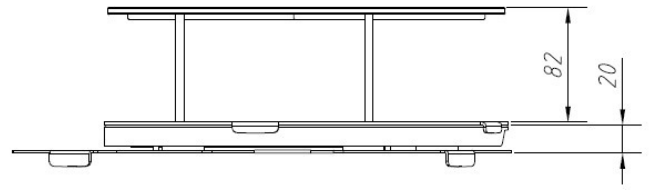
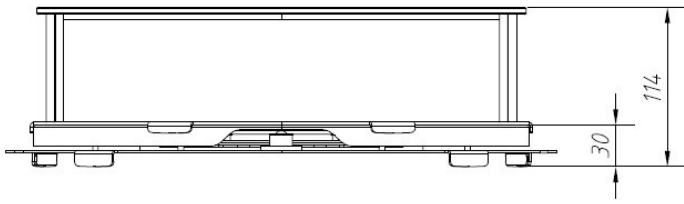


Structure and Dimension(mm)



Application

