

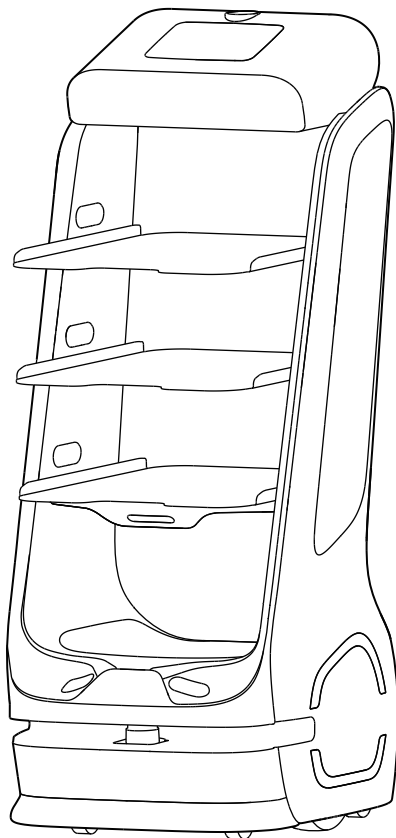
BEDIENUNGSANLEITUNG



KBS Gastrotechnik GmbH – Schoßbergstraße 26 – 65201 Wiesbaden

KEENON

Keenon Smart Delivery Robot User Manual
Keenbot T5 Pro



Quick Language Guide



English

05

日本語

36

한국어

66

Français

95

Deutsch

130

Español

164

Italiano

198

ةيبرعلا

232

ไทย

262

■ Notice:

Copyright © 2022 Keenon Robotics Co., Ltd. All rights reserved.

This document may not be copied, reproduced, transcribed, or translated, in part or in whole, by any individual or organization, or be transmitted in any form or by any means (electronic, photocopy, recording, etc.) for any commercial purposes without the prior written permission of Keenon Robotics Co., Ltd.

The product specifications and information mentioned herein are for reference only and are subject to changes without prior notice. Unless otherwise specified, this user manual is only used as guidance for use.

Contents

Introduction	05
Safety Instructions	05
About the Safety Instructions	05
Symbol Description	06
Graphical Symbol Description	07
Product Specifications	12
Appearance & Components	12
Specifications	13
Operation	14
Robot Charging	14
Power On/Off	16
Operation of Stop Button	16
Mode Selection	19
Robot Maintenance	29
Maintenance	29
Robot Body Care	30
Moving and Handling the Robot	30
Transportation	31
Disposal	31
Troubleshooting	32

1. Introduction

Keenon T5 Pro, developed by Keenon Robotics, is a delivery robot that collaborates with staff in restaurants, hotels, inns, and retail stores.

2. Safety Instructions

2.1 About the Safety Instructions

Before using the robot, please fully understand and observe the Safety Instructions described in the Keenon T5 Pro User Manual (hereinafter referred to as "the manual"). The precautions given here are to avoid injury to users and other personnel and property losses. Please always pay attention.

Keenon Robotics shall not be held liable for any damage to the user or any third party caused by the malfunction, misoperation, problem, etc. of the robot or power adapter.

This manual provides safety precautions for using the robot and power adapter, proper handling procedures, and other regulatory information. The precautions given in this manual do not exhaust all possible situations. The safety of operators, pedestrians, and people around is always the first priority under any circumstances (such as the robot does not work normally or turns over). Always pay attention to the precautions when installing and using the robot and keep this manual easily accessible.

This product can be used across EU member states.




	AT	BE	BG	HR	CY	CZ	DK
	EE	FI	FR	DE	EL	HU	IE
	IT	LV	LT	LU	MT	NL	PL
	PT	RO	SK	SI	ES	SE	UK

Hereby, Keenon Robotics Corp. Co., LTD declares that the equipment is in compliance with the following Directives:

Applied Directive	Applied Standards	
MD Directive 2006/42/EC	EN ISO 13482:2014 EN 62368-1:2014+A11:2017 EN ISO 12100:2010	
RE Directive 2014/53/EU	EN 301489-1 V2.2.3 EN 301 489-19 V2.2.0 EN 301 489-52 V1.1.2 EN 301489-17 V3.2.4 EN IEC 62311:2020 EN 300 328 V2.2.2	EN 301511 V12.5.1 EN 301908-1 V13.1.1 EN 301908-2 V13.1.1 EN 301908-13 V13.1.1 ETSI EN 303413 V1.2.1
EMC Directive 2014/30/EU	EN 61000-3-3: 2013+A1:2019 EN IEC 55014-1: 2021 EN IEC 55014-2: 2021 EN IEC 61000-3-2:2019+A1: 2021	
RoHS Directive(2011/65/EU)	Pb, Hg, Cd, Cr (VI), PBB, PBDE, DEHP, BBP, DBP, DIBP according to standard IEC 62321-1: 2013, IEC 62321-2: 2013, IEC 62321-3-1: 2013, IEC 62321-4: 2013+A1: 2017, IEC 62321-5: 2013, IEC 62321-6: 2015, IEC 62321-7-1: 2015, IEC 62321-7-2: 2017 & ISO 17075-1: 2017, IEC 62321-8: 2017	
WEEE Directive 2012/19/EU		
REACH(EC) No 1907/2006	SVCH 224 Annex XVII	

2.2 Symbol Description

The following symbol categories explain the extent of injury or damage caused by non-compliance with warnings and improper use of the robot or related equipment. Make sure you understand the following symbols completely before reading this manual.

 WARNING	<p>The WARNING symbols warn users of dangerous operations that may result in blindness, injury, burns (high- or low-temperature), electric shock, bone fracture, poisoning, etc., with long-lasting sequelae that requires hospitalization or long-term hospitalization.</p>
 CAUTION	<p>The CAUTION symbols indicate that non-compliance with these precautions may result in injury, burns, electric shock, etc. However, hospitalization and long-term hospitalization are not required.</p>
 NOTE	<p>The NOTE symbols indicate that non-compliance with the precautions may damage or injure homes, property, livestock, and pets.</p>

2.3 Graphical Symbol Description

 WARNING
 CAUTION

■ Do not use, charge, or store the robot and battery charger in high temperature locations (near sparks or flames, near heaters, in direct sunlight, in a car in hot weather, etc.), warm places, or places where heat accumulates (such as under radiators, electric blankets). Ensure proper ventilation and keep the robot and the battery charger free of any covering fabrics.

■ For safety reasons, do not use the robot in the following conditions:

① Do not expose the robot to an environment with excessive dust, sand, snow, ice, water, humidity, salt water, or salt spray (such as marine environment and coastal environment).

The robot is designed for indoor use only. Using the robot outdoors may result in a malfunction of, destruction of, or damage to components and surrounding objects due to natural factors and other unexpected actions.

Otherwise, it may result in injury, malfunction, or damage to surrounding objects.

② Areas with steps higher than 0.5cm (such as rough surface).

③ Continuous downhill.

④ Children's play area.

⑤ Areas with reflective or transparent objects (such as automatic doors, windows, mirrors, acrylic panels, etc.).

⑥ Surfaces with black tape (materials with extremely low light reflectivity) or areas attached with similar items.

- ⑦ Near stairs or escalators.
- ⑧ Outdoors.
- ⑨ Places with strong sunlight, such as places near windows.
- ⑩ Areas near infrared equipment, such as automatic doors.
- ⑪ The aisle should be at least 0.7m for a robot to pass. An aisle with a width greater than 1.5m allows two robots to move head-on, otherwise, the robots will pass through the aisle one by one.

■ Do not place any ornaments as they may obstruct the robot and touch screen operations.

■ Do not push the robot when powering on.

■ Do not use the robot in places with stairs, uneven floors (such as mosaic tiles and carpets with piles longer than 1cm), sloping surfaces, or wet floors. Otherwise, the LiDAR sensor, RGB-D camera, or image module camera may not work properly and the robot may turn over or fall down, resulting in injury or damage to people and surrounding objects.

■ Always keep the aisle used by the robot clean.

If the robot moves over small obstacles or objects such as forks, spoons, and chopsticks, items on trays may fall off, resulting in injury and malfunction or making the robot unusable.

■ This wheeled robot is intended for indoor use on flat surfaces (smooth surface with a slope less than 5 degrees and bumps lower than 1cm). Do not use it outdoors (such as open balconies), rugged ground (such as stairs), and other environments.

■ When charging the robot, use only the original battery charger and the specialized power cord that came with the robot.

■ Do not push the robot when the power is on.

■ Do not use the battery charger in or near places with dust, salt, corrosive gas, or flammable substances.

Otherwise, it may result in fire, injury, electric shock, damage, malfunction, overheating, leakage or breakage. Do not touch any power source or voltage with wet hands apart from the adapter cable.

■ Do not use damaged battery chargers or power cords.

■ The battery charger is designed to be placed on its side. Do not use it upright or upside down.

■ Make sure the power cord is unplugged from the socket before maintenance or when the battery charger will not be used for an extended period.

■ When the power cord is connected to the battery charger, do not step on the power cord or apply excessive force to it. Do not touch the charger for a prolonged time while charging.

■ Do not drop or step on the charger whether it is connected or not. Do not apply excessive force to it, such as placing objects or stamping on it.

■ Only charge the robot indoors. Do not use it outdoors, such as on the street.

■ Do not use batteries, power adapters, or charging piles from any third party. Do not dismantle, repair, or modify the battery or charging pile without authorization.

■ Do not cook (such as bake and grill) on the robot.

Otherwise, it may result in fire, injury, electric shock, damage, malfunction, overheating, leakage or breakage.

■ Do not splash water onto the robot.

Although the robot is designed to be dust-and drip-proof, it is not completely waterproof. If liquid spills from the tray, wipe it off immediately with a soft dry cloth and air dry the tray. Liquid entering the robot or charging it when it is dampened may result in overheating, electric shock, fire, injury, or malfunction.

■ Do not allow liquids such as drinks or other foreign objects to enter the inside of the robot.

■ Do not place items that exceed the tray height and block the robot sensors. Otherwise, it may result in malfunction or damage to surrounding objects.

■ Do not place items that exceed the load capacity on the tray.

Otherwise, it may result in injury, malfunction, damage to surrounding objects, or make the robot unusable.

① When using 3 trays: 10kg each (40kg in total).

② When using the 4th layer of tray only: 15kg.

■ Do not remove items from a tray when the robot is moving. Otherwise, it may result in items falling off the tray or damage to surrounding objects.

■ To ensure food sanitation, do not leave food unattended or out of reach.

■ Do not use a dish or a plate that is larger than the robot tray. Otherwise, it may block the sensors and cause malfunction.

■ Do not use the robot in a health care environment or near electronic medical equipment.

■ For European market:

This appliance can be used by children aged from 8 years and above and persons with reduced physical, sensory or mental capabilities or lack of experience and knowledge if they have been given supervision or instruction concerning use of the appliance in a safe way and understand the hazards involved. Children shall not play with the appliance. Cleaning and user maintenance shall not be made by children without supervision.

■ **For non-European market:**

This appliance is not intended for use by persons (including children) with reduced physical, sensory or mental capabilities, or lack of experience and knowledge, unless they have been given supervision or instruction concerning use of the appliance by a person responsible for their safety. Children should be supervised to ensure that they do not play with the appliance.

■ **The battery pack is not allowed to be replaced by the user.**

■ **When you store the battery separately: please use a special charging device to charge it for 2 hours every month.**

■ **Charge the robot in unoccupied areas, enclosed spaces, or spaces only accessible by maintenance technicians.**

■ **Please pay attention to your pets and don't let them run around the robot.**

■ **Do not use your device in a moist environment.**

■ **The charging temperature of battery should be 10°C~40°C.**

■ **Do not expose your device to areas with flammables and explosives.**

■ **Do not turn on your device when it is prohibited to use.**

■ **For driving safety, the driver cannot operate the device when the car is in motion.**

■ **Use a dry soft cloth to clean the device; do not use water, alcohol, detergent or any chemicals.**

■ **Keep the device battery and charger out of the reach of children to prevent them from swallowing it or injuring themselves by accident. Children should only use the device with adult supervision.**

■ **Observe all rules and regulations applicable to mobile products in hospitals and health care facilities.**

■ **Only use the battery included with the product.**

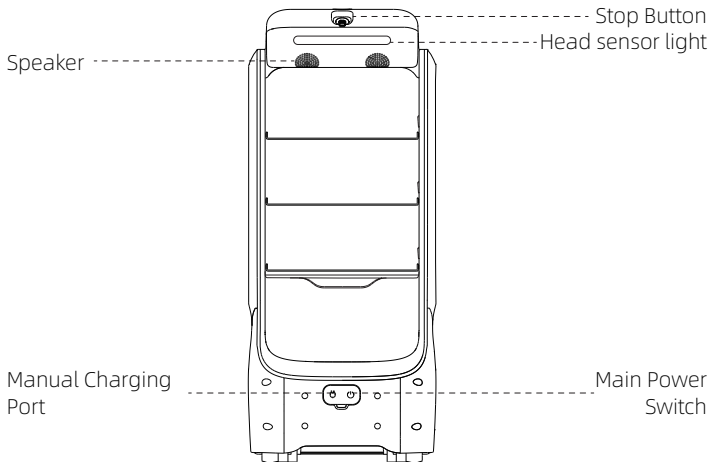
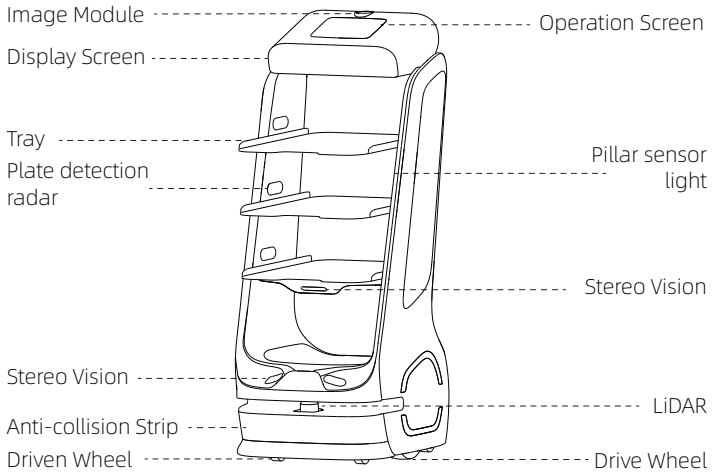
⚠ **Do not stare at the light source for too long (no more than 100 seconds).**

**NOTE**

- The operator should read this manual and completely understand how to use the robot correctly before using it.
- Make sure that the adapter is unplugged from the socket before operating or moving the robot and performing maintenance.
- Do not turn over or drop the robot when moving or handling it. Otherwise, it may result in fire, injury, electric shock, damage, malfunction, overheating, leakage, chemical explosion, or damage to the robot or battery charger.
- When delivering hot or unstable dishes (such as liquid in a glass and soup in a bowl), conduct a trial in advance to ensure that no liquid spills or drips during operation.
- When placing heavy objects or multiple dishes on the tray, place them in the center to maintain stability. Otherwise, it may result in malfunction, liquid spillage, or dishes falling off.
- When delivering heavy objects, place them on lower trays and keep the robot running on a flat surface. Otherwise, it may result in liquid spillage or damage to surrounding objects during operation.
- When using the robot, always keep the wheels in contact with the floor. Otherwise, it may result in malfunction or damage to surrounding objects.
- Make sure that the operator can respond immediately to any unexpected situation while the robot is moving. If you suspect any danger, press the stop button. Otherwise, it may result in injury or damage to the user, third parties, or surrounding objects.
- Use the robot in an environment with a temperature range of 0°C to 40°C and a humidity range of 5% to 85%. Store the robot in a dry and dust-free place with a temperature range of -30°C to 60°C and a humidity range of 10% to 90%. Otherwise, it may result in fire, injury, electric shock, damage, malfunction, overheating, leakage, chemical explosion, or other damage to the robot or battery charger.
- In case of significant changes in the indoor environment (such as redecoration, use of the robot in a new location, rearrangement of indoor items such as destinations, chairs, and tables), re-mapping is required.

3. Product Specifications

3.1 Appearance & Components



3.2 Specifications

Item	Specifications
Model	Keenbot T5 Pro
Robot Dimension (LxWxH)	506mm×502mm×1205mm
Tray Dimension (LxWxH)	486mm×384mm×186mm(the first layer) 486mm×384mm×166mm(other layers)
Weight (Charging piles are not included)	61.5Kg
Maximum Capacity per Layer	10Kg
Maximum Traveling Speed	0.9m/s
Network interface	Wi-Fi/4G
Battery Capacity	DC 48V 12Ah
Rated Power	50W
Standby Current	Standby Current < 1.5A
Battery Life	10~12h
Service Life	20000 hours
Robot Operating Temperature/Humidity Range	Temperature: 0°C~40°C, Humidity: 5%~85%
Brightness	Indoor300~20000Lux
Working Environment	Dry indoors with flat and smooth ground
Storage Environment	Temperature: -30°C~60°C , Altitude: no higher than 1000m

4. Operation

4.1 Robot Charging

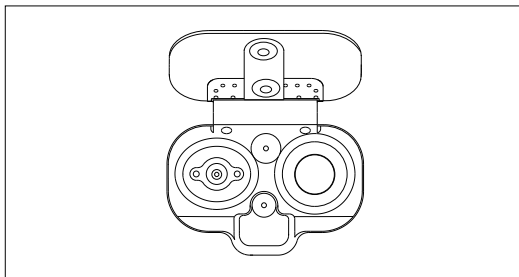
☑ Fully charge the robot when using it for the first time or when the battery level is below 20%.

* The charging is completed when the adapter indicator turns green.

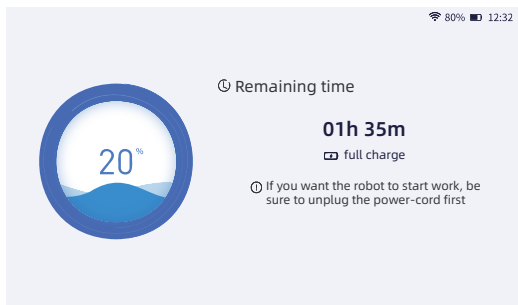
☑ Do not use the robot when charging.

☑ Fully charge the robot every two months if the robot is left unused for a long time.

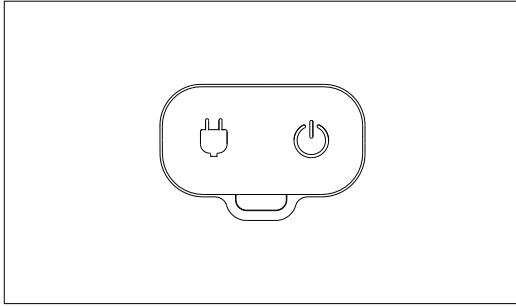
■ Open the rubber cover of the manual charging port on the back of the robot, and connect the adapter with the charging port.



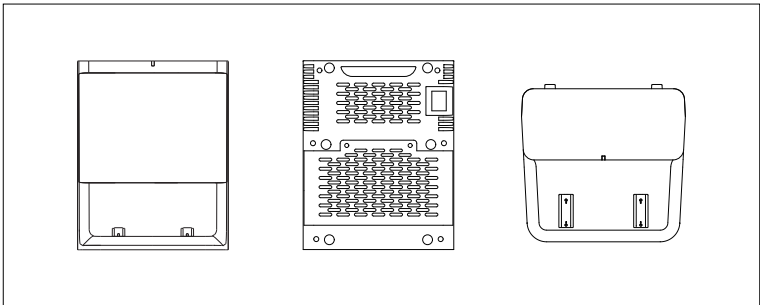
■ The adapter indicator turns red when the charging starts. Touch the screen and switch to the charging screen, which shows the charging is in progress.



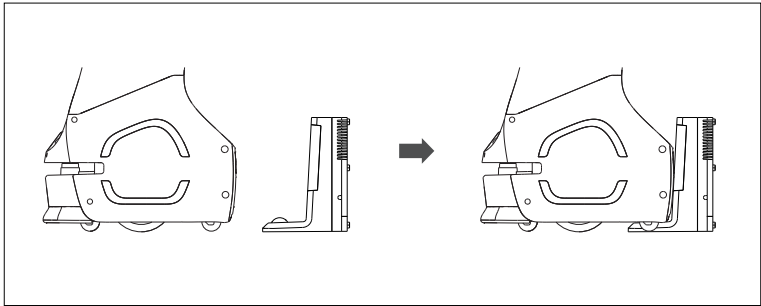
- Unplug the adapter and close the rubber cover.



The following figure shows the structure of the charging pile for a multi-layer food delivery robot:



Charge the robot in unoccupied areas, enclosed spaces, or spaces only accessible by maintenance technicians. The robot features intelligent auto-charging. It will automatically locate, match, and connect with the charging pile for auto-charging when its battery level drops to 5% or it is sent for charging manually.



4.2 Power On/Off

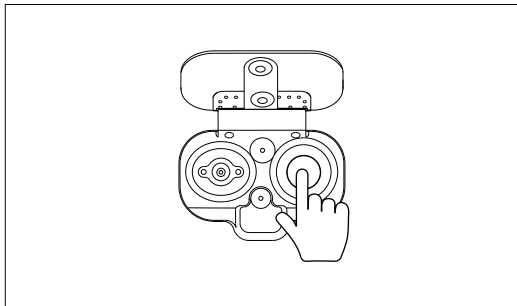
The main switch is on the back of the robot, on the right side under the rubber cover.

■ Power on

Press the main switch once to power on the robot, which will take about 40s.

■ Power off

Press the main switch once to power off the robot, just like powering on the robot.



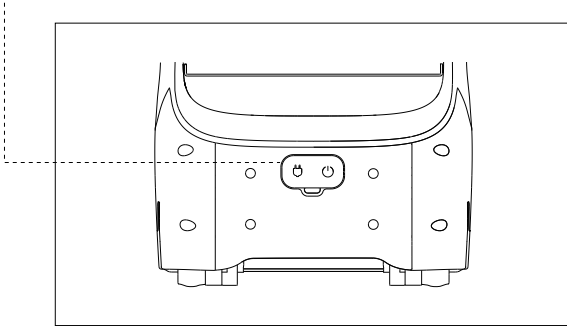
4.3 Operation of Stop Button

In the following conditions, stop the robot by pressing the Stop button:

- ☑ Manually moving the robot when it is working.
- ☑ The robot is not working normally (such as moving in a different direction than

indicated) and may cause damage to the surrounding environment.

Note: Open the silicone cover under the chassis and turn it on by pressing the red button on the right.



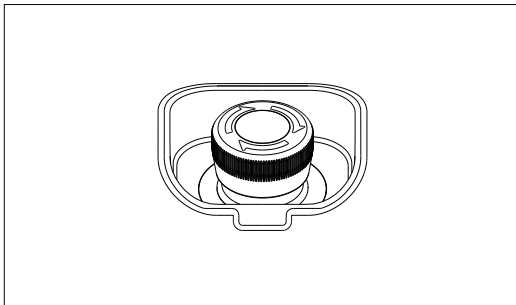
■ Emergency Handling

When the robot is not working normally or in any other emergency that poses a threat to the surrounding environment, you can stop the robot by pressing the emergency stop switch on the top.

emergency stop switch:

After confirming that the robot returns to normal, gently rotate the switch in the direction indicated on the emergency stop switch on the top and get the robot to resume normal operation.

Note: If the emergency stop button is pressed on a slope, the robot will release the kinetic energy and continue to move due to inertia, which may cause injury.



■ Obstacle avoidance protection

The product uses a multisensor fusion scheme to judge obstacles ahead. If a dangerous situation occurs, the robot can decelerate, stop and other overspeed control and obstacle avoidance functions through its own judgment, and give a sound prompt.

If the path is congested and the robot cannot avoid the obstacle, and the sound and light reminders continue, please press the emergency stop switch to move the robot away or remove the obstacle.

■ Visual and acoustic prompts:

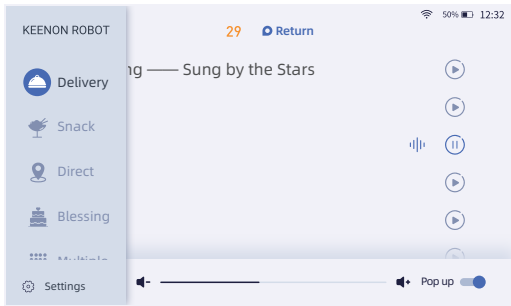
	Pillar Light	Head Light	Ambient Light
Collision	Flashing yellow	Steady red	Steady red
Getting Lost (Losing Labels)	Flashing yellow	Steady blue	Steady blue
Emergency Stop	Flashing yellow	Steady red	Steady red
Moving	Rhythmic blue	Steady blue	Steady blue
Steering	Rhythmic blue	Flowing blue (on the side of turning direction)	Steady blue

4.4 Mode Selection

The robot comes with five modes for different scenarios: Delivery Mode, Snack Delivery Mode, Multi-Destination Mode, Direct Delivery Mode, and Birthday Mode.

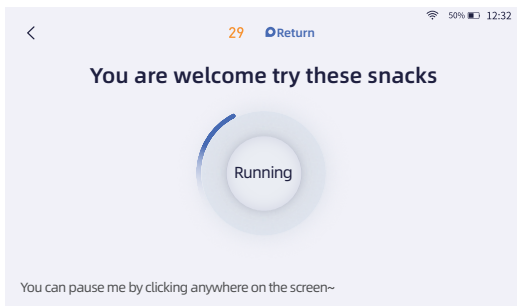
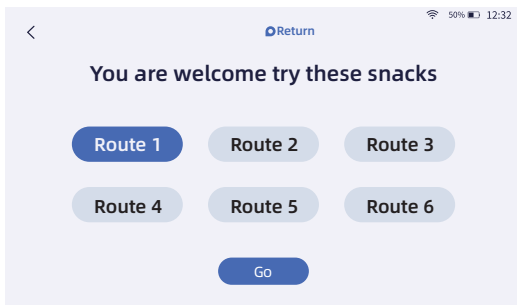
☑ Delivery Mode

In Delivery Mode, the robot can deliver foods to multiple tables in one trip. After the dishes ordered by different customers are placed on the trays and the table numbers are entered, the robot will automatically plan the best route for the fastest delivery.



☑ Snack Delivery Mode

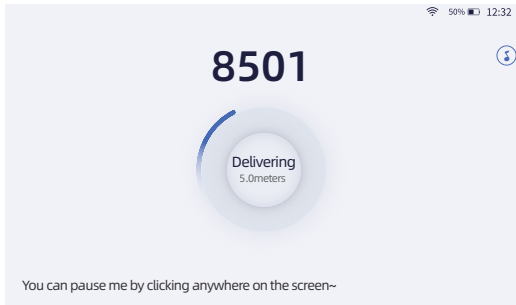
In Snack Delivery Mode, the robot circulates along a predetermined path with self-service beverages, desserts, or promotional materials and invites customers to try out foods or pickup samples by voice or screen display.



📍 Direct Delivery Mode

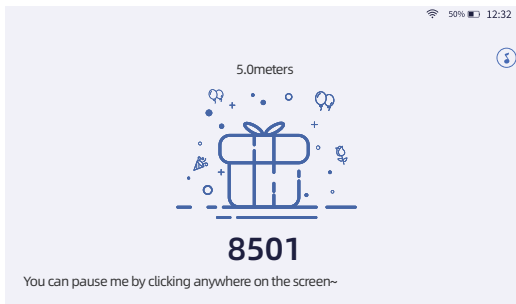
In Direct Delivery Mode, the robot stands by at the pickup point and serves any table as directed. Upon delivery, it waits there for the next task instead of returning automatically. This mode is mostly used in restaurant takeout services and other similar scenarios.





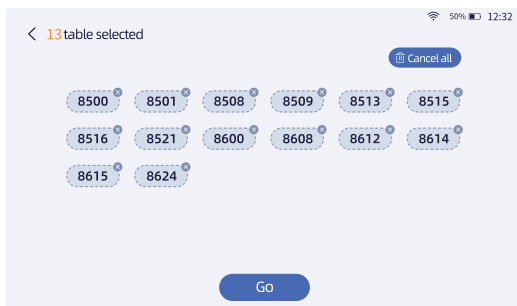
🎁 Surprise Mode

In Surprise Mode, the robot can play songs to celebrate the customer's birthday or other holidays after it arrives at the specified destination. The wishes can be customized, such as "Happy Birthday to ***", giving customers best wishes and pleasant surprises.



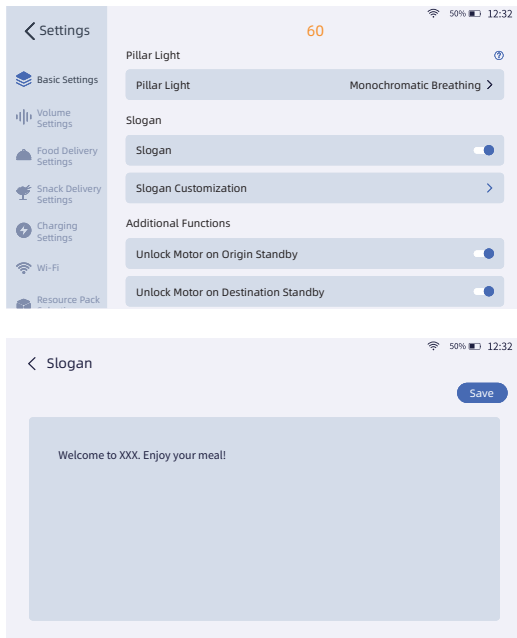
☑ Multi-Destination Mode

In Multi-Destination Mode, which is similar to the Snack Delivery Mode, up to 20 table numbers can be selected.



☑ Slogan function

The Slogan function can be enabled on the settings page. Turn on the Slogan function on the settings page, and enter the text for scrolling display. For example, "Welcome to ...(the store name)". Tap Save after entering the text. The slogan is automatically scrolled on the robot screen instead of emoticons. The Slogan function does not affect the robot's movement in any mode.

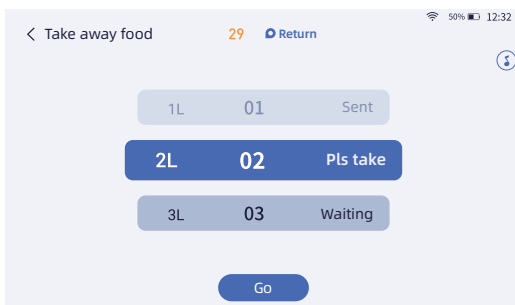
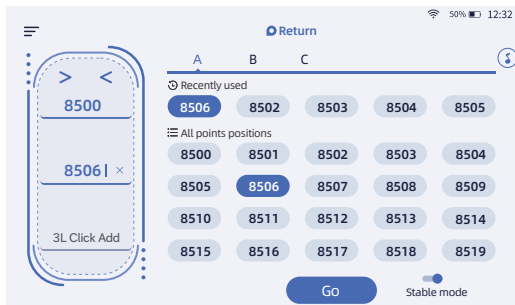
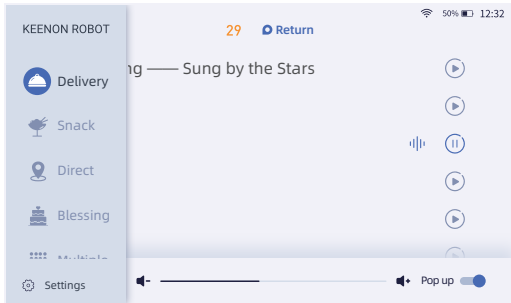


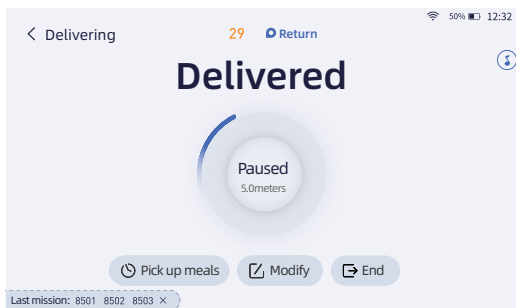
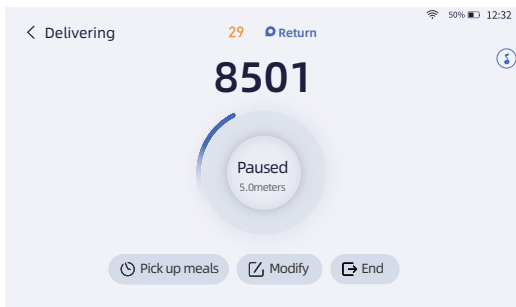
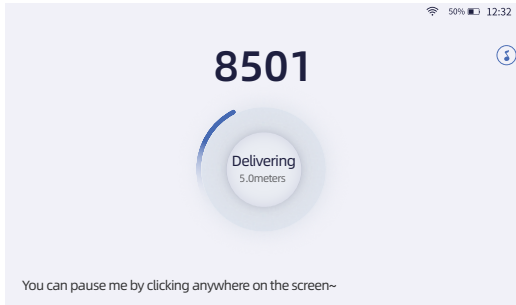
■ Delivery Mode

Delivery Mode is commonly used to deliver foods to the specified table in the following steps:

- ① Select Delivery Mode at the pickup location.
- ② Place the dishes on the trays (one tray for one table only).
- ③ Place the tray with dishes on the screen and enter the destination table number.
- ④ After entering the table number, tap Start Delivery for the robot to start the task.
- ⑤ The robot quickly arrives at the destination along the predetermined path. During the delivery, you can tap the Stop command on the robot screen to pause the robot immediately.
- ⑥ When the delivery task is paused for 30 seconds (30 seconds by default and 5 minutes by maximum), you can give different commands to the robot (modify task, end current task, end all tasks) within this time; if no command is given on the touch screen within the set time, the robot will continue with its tasks.

- ⑦ After arriving at the destination, the robot will prompt by voice (here is your food).
- ⑧ After tapping to confirm, the robot will perform the next task or return to the pickup location and wait for a new one.
- ⑨ By checking the robot route in the previous task, you can find the destination.

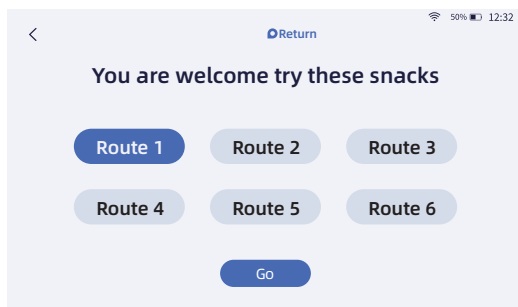
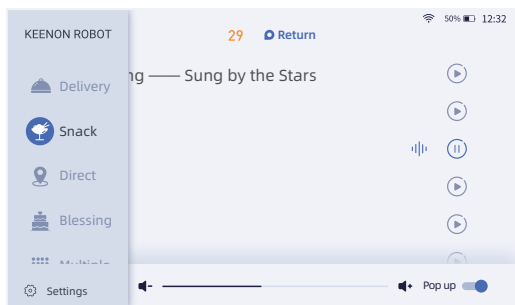


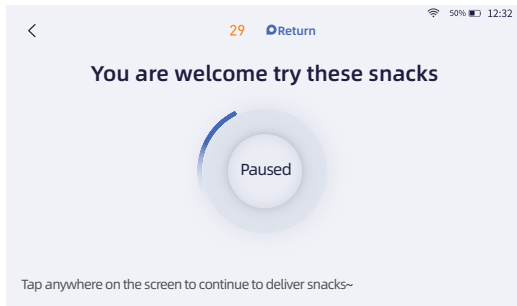
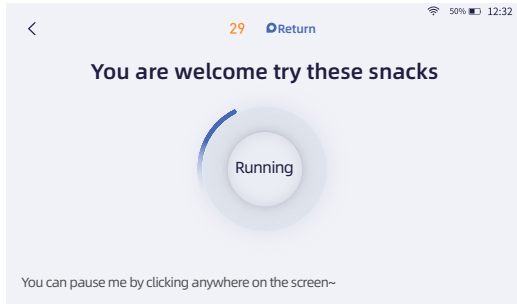


■ Snack Delivery Mode

Snack Delivery Mode is a commonly-used mode where the robot travels in a specific large-area environment in the following steps:

- ① Select the Snack Delivery Mode at the pickup location.
- ② Select a planned route.
- ③ Tap to confirm, and the robot starts the task.
- ④ The robot will prompt by voice during the delivery, reminding customers to pick up the snacks. Tap the Stop command on the robot screen to pause the robot immediately during snack delivery. If the robot does not receive a new command in 5 seconds, it will continue with its tasks.
- ⑤ To pick up the snacks, stand in front of the robot or touch its screen, it will stop moving immediately with the screen displaying the robot is paused so customers can help themselves to the snacks.

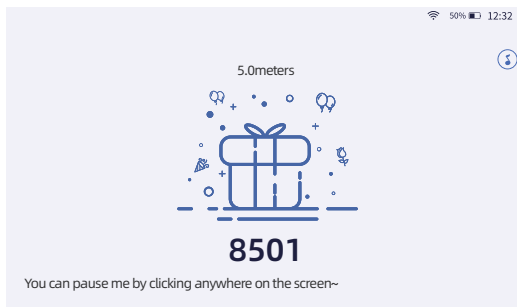
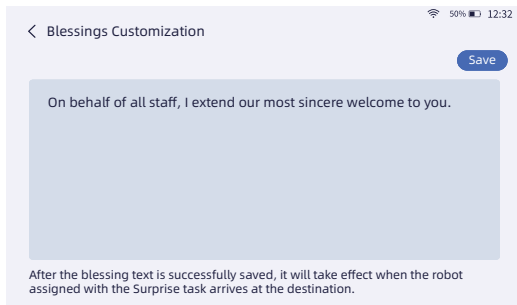




■ Surprise Mode

Snack Delivery Mode is designed to bring customers pleasant surprises, as shown in the following steps:

- ① Select Surprise Mode at the pickup location.
- ② Go to the Surprise Mode page and tap Text Selection in the lower-left corner.
- ③ Enter the blessing text, select the music, and tap Save.
- ④ Select the destination table number and tap Start.
- ⑤ After the robot arrives at the destination, it will automatically play music and scroll the text of wishes on the screen.



5. Robot Maintenance

5.1 Maintenance

■ Robot

① Before wiping the dust off the robot, make sure the adapter is unplugged from the socket and the adapter from the robot.

② Clean the LiDAR sensor, RGB-D camera, and top image module with a microfiber cloth every day.

* Microfiber cloths are not provided. Please prepare your own.

③ After using the robot, clean the dirt with a soft damp cloth and wipe the robot dry completely with a dry cloth.

④ Use disinfectant ethanol to disinfect the exterior of the robot. Do not spray liquid directly onto the robot. Use a cloth dampened in the disinfectant to clean the robot.

⑤ Regularly check and clean the bottom of the robot every six months.

⑥ The machine needs to check and clean up safety related equipment and safety function inspections (such as emergency stop function, obstacle avoidance function, sound and light alarm, etc.) every 6 months. One week before the expiration date, the machine will stop working and pop up a reminder that maintenance is required. After seeing the reminder, please contact professional after-sales maintenance personnel for timely on-site inspection and maintenance. Avoid affecting the normal operation of the machine.

⑦ It is necessary to check the application environment of the robot every day, such as the slope and flatness of the ground, whether the navigation labels are complete, and whether the lighting equipment on site is aging or damaged. Whether the ambient light intensity is in the range of 300~20000lux.

⑧ If there are water or oil stains on the machine or the ground, please clean it up in time.

■ Drive wheel and driven wheel

① Remove the hair and dust stuck on the wheel.

② To clean the driven wheels, remove them from the robot and wipe with a damp cloth.

③ If the robot is dirty, place it on its side on a soft surface and wipe it clean with a cloth dampened in neutral detergent.

* Wear gloves while dismantling the robot to avoid injury.

- The battery pack must contact the factory for after-sales maintenance and replacement.

5.2 Robot Body Care

- Be sure to power off the robot and charge the battery after use.
- ① Power off the robot for storage when it is not in use.
 - ② Store the robot in a place where it will not obstruct access to fire doors, stairs, or fire fighting equipment.
 - ③ Always store the robot in dry and moisture-free indoors.

5.3 Moving and Handling the Robot

Lift or push the robot with both hands.

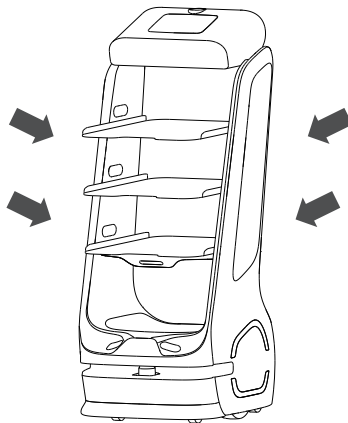
■ Lift and move the robot

Grasp the sides with both hands and lift the machine (arrow in the picture) while maintaining an upright position.

■ Push and move the robot

Use both hands to move the robot by pushing the sides (the positions marked by the arrows in the figure below).

* Do not pull up the robot's bottom, tilt it, lift the tray or slit next to the LiDAR, or pull its front or top. Otherwise, it may damage the robot.



5.4 Transportation

During transportation, please follow the direction of the arrow on the box, do not lay flat or dump.

When unpacking, please keep the machine in the direction indicated by the box, remove the packing belt, remove the outer box from bottom to top, remove the filling diagram, and transport the machine to the designated location according to the method in 5.3.

5.5 Disposal

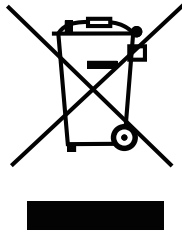
Discarding electronic devices at will will pollute the environment, please refer to the local national waste recycling policy before discarding.

This product contains battery packs, which are hazardous substances, please contact professional personnel for recycling.

This product is designed and manufactured with recyclable, high-quality materials and components.

When disposing of the product, check that it is being disposed of properly as industrial waste differentiated from general and business waste according to regional and municipal regulations by request to an industrial waste disposal operator.

* If the product is being leased, it cannot be disposed of by yourself. Contact customer support. When disposing of the machine, remove the battery from the machine, and dispose of properly according to regulations for waste disposal in the region you are residing in.



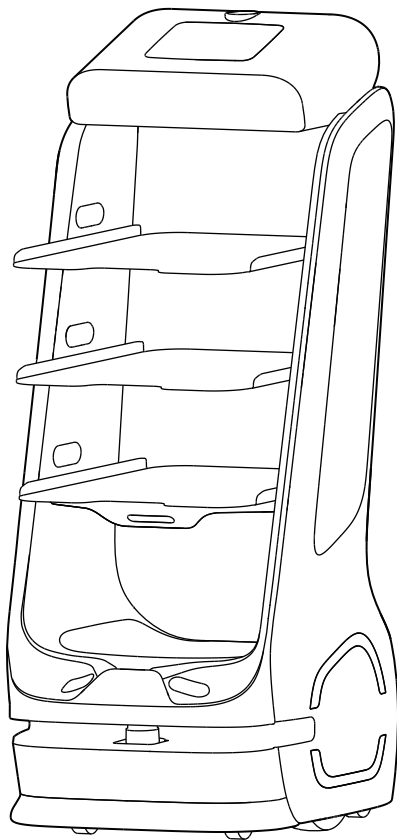
6. Troubleshooting

In case of any problems, please refer to the solutions below.

Problem	Solution
Unable to power on the robot	<ol style="list-style-type: none"> ① When the battery is low, charge the robot with the power adapter. ② If the problem persists, please contact customer support.
The robot does not move	<ol style="list-style-type: none"> ① Press the stop button, manually move the label to an easily visible place, release the stop button, and then check if the robot moves again. ② If the problem persists after operation ①, turn off the main power switch, turn it on when the robot is in a place where the label is easily visible to the robot and try again. ③ If the problem persists, please contact customer support.
The navigation does not work	<ol style="list-style-type: none"> ① If the robot is off the map, turn off the main power switch, move the robot near the starting point, and restart the navigation. ② Make sure the display module is not covered by cloth or other objects. Remove dust, if any.
The robot makes no voice or sound	<ol style="list-style-type: none"> ① If there is no voice or sound, or the volume is too low, adjust the volume. ② If the problem persists, please contact customer support.
The robot does not work normally	Turn off the main power switch and contact customer support.

Keenon インテリジェント配膳ロボット取扱説明書
Keenbot T5 Pro

日本語



Keenon Robotics Co.,Ltd.
後から参照するためこの取扱説明書を保管してください

■声明:

Copyright © 2022Keenon Robotics Co., Ltd. All rights reserved.

本書の内容の一部または全部をKeenon Robotics Co.,Ltd.の書面による明示的な許可なく複製、複写、転写、または翻訳してはならず、いかなる形式（電子的、複写、記録など）でも営利目的で配布することを禁じます。本説明書に記載されている製品の仕様およびデータは情報提供のみを目的としており、予告なく変更されることがあります。本説明書は、特に断りのない限り、使用ガイドとしてのみ提供されるものであり。

もくじ

概要	36
安全上の注意	36
安全に関する注意事項	36
記号の説明	36
図形記号の説明	37
製品構成	42
外観と部品の説明	42
性能パラメータ	43
操作	44
機器充電	44
電源オン/オフ	46
スイッチオフボタン操作	46
モード選択	49
機器メンテナンス	59
メンテナンス	59
本体のメンテナンス	60
ロボットの運搬	60
輸送	61
廃棄について	61
トラブルシューティング	62

1. 概要

Keenon Robotics が開発した Keenon T5 Pro は、レストランやホテル、旅館、小売店でスタッフと連携して働くデリバリーロボットです。本明細書に含まれるモデルは、T5-LSおよびT5-LBである。

2. 安全上の注意

2.1 安全に関する注意事項

機器を使用する前に、『Keenbot T5 Pro操作マニュアル』（本マニュアル）に記載されている「安全上の注意」を十分に理解し、遵守してください。本マニュアルに記載されている注意事項は、使用者や他の人々への危害、財産への損害を防ぐことを目的としています。常にご注意願います。

Keenon Roboticsは、機器またはアダプターの故障、誤操作、不具合などが原因で使用者または第三者に生じたいかなる損害についても責任を負いません。

本マニュアルは、機器およびアダプターを使用する際の安全上の注意事項、正しい取り扱い手順、その他の規制に関する情報を記載しています。本マニュアルに記載されている注意事項は、考えられるすべての状況を網羅しているわけではありません。どのような状況（機械が正常に作動しない場合、横転した場合など）でも、操作者、歩行者、周囲の人々の安全が最優先されます。機器の設置および使用に関する注意事項を必ず守り、本マニュアルをいつでも参照できる場所に保管してください。



2.2 記号の説明

次の記号の種類は、警告を無視して機器または関連する装置を不適切に使用した場合に発生する可能性のある危害または損傷の程度を示しています。本マニュアルを読む前に、以下の記号を十分に理解してください。



警告

「警告」操作は禁止されています。失明、けが、やけど（高温、低温）、感電、骨折、中毒などの原因となり、入院や長期入院が必要な後遺症が残る可能性があります。

 用心	注意事項を守らないと、けが、やけど、感電などの原因になりますが、入院や長期入院は必要になりません。
 注意	注意事項を守らないと、家屋や財産、家畜やペットに損害が及ぶ可能性があることを示しています。

2.3 図形記号の説明

 警告

 用心

■ **高温の場所**（火花や炎の近く、暖房器具の近く、直射日光の当たる場所、炎天下の車内など）、**暖かい場所**、**熱がこもる場所**（ラジエーター、電気毛布の下、その他の温かい場所）で、**機器やバッテリー充電器を使用、充電、放置しないでください**。換気を十分に行い、**機器やバッテリー充電器が布などで覆われていないことを確認してください**。

■ **安全上の理由から、次の場所で操作しないでください**。

① **機器を大量の塵埃、砂、雪、氷、水、湿気、塩水環境、塩水噴→霧**（海洋環境、沿岸環境など）にさらさないでください。

本機械→は屋内用に設計されています。屋外で使用すると、自然要因やそ→の他の予期しない行為によるけが、故障、破壊、部品の損傷、周→りの物への損害を引き起こす可能性があります。

② **段差が0.5cmを超えるエリア（粗い地面など）。**

③ **連続した下り坂。**

④ **子供向け娯楽エリア。**

⑤ **反射する物、透明な物（自動ドア、窓、鏡、アクリルパネルな→→ど）がある場所。**

⑥ **黒いテープが貼られた表面（光の反射率が非常に低い素材）ま→→たはそれに類する物があるエリア。**

⑦ **階段やエスカレーターの近く。**

⑧ **屋外。**

⑨ **窓際など、日差しが強い場所。**

⑩ **自動ドアなど、赤外線を放射する機械に近いエリア。**

⑪ **ロボットの通過幅が0.7m以上、幅が1.5mを超える通路は、2→→台のロボットが対面走行するように設定しないと、走行が妨げ→→られます。**

■ 機器の動作やタッチスクリーンを妨げるような装飾品を置かな→→いでください。

■ 電源が入っているときは、機器を押さないでください。

■ 段差のある場所、凹凸のある床面（モザイクタイル、毛足の長→→さが1cm以上のカーペットなど）、傾斜のある表面、濡れた床→→面では、機器を使用しないでください。

理由としては、LIDARセンサー、RGB-Dカメラ、画像モジュール→→ルカメラが正常に動作しなくなり、機器が転倒または落下して、→→周囲の人がけがをしたり、物が損傷する可能性があります。

■ 機器が走行する通路は常に清潔に保ってください。

機器がフォーク、スプーン、箸などの小さな障害物や物の上を→→走行すると、トレイ上の物品が落下したり、けがや誤動作の原→→因となったり、使用できなくなったりする可能性があります。

■ 本製品は、屋内の平坦な環境（地面が平らで、傾斜が5度未満→→で、突起が1cm以下の環境）での使用に限定された車輪付き口→→ポットです。屋外（屋外のバルコニーなど）、平らでない地面（階→→段など）、その他の環境では使用しないでください。

■ 機器を充電するときは、付属のバッテリー充電器のみを使→→用し、付属のバッテリー充電器と付属の専用電源コードのみを使→→用してください。

■ 粉塵、塩分、腐食性ガス、可燃性物質のある場所やその付近で→→バッテリー充電器を使用しないでください。

火災、けが、感電、損傷、故障、過熱、漏電、亀→→裂の原因になります。濡れた手でアダプターケーブル以外の電→→源や電圧に触れないでください。

■ 損傷したバッテリー充電器や電源コードを使用しないでください。

■ バッテリー充電器は横置きで使用するように設計されていますの→→で、縦置きや逆さ吊りでは使用しないでください。

■ メンテナンスを行うときや、バッテリー充電器を長期間使用しな→→いときは、必ず電源コードをコンセントから抜いておいてくだ→→さい。

■ バッテリー充電器に電源コードを接続しているときは、電源コー→→ドを踏んだり、無理な力を加えたりしないでください。また、→→充電中は充電器に長時間触れることは避けてください。

■ 接続の有無にかかわらず、充電器を落としたり踏んだりしな→→いでください。充電器の上に物を載せたり、押し付けたりするな→→ど、無理な力を加えないでください。

■ 機器は屋内でのみ充電してください。路上など、屋外では使用→→しないでください。

■ 他社製のバッテリー、電源アダプター、充電パイルは使用しない→→ください。バッテリーや充電パイルを無断で分解したり、修理→→したり、改造したりしないでください。

■ 機器で調理（焼く、あぶるなど）しないでください。
そうしないと、火災、けが、感電、損傷、故障、過熱、漏電、亀→→裂の原因になります。

■ 機器に水をかけないでください。

機器は防塵・防滴設計ですが、完全防水ではありません。トレ→→イから液体がこぼれた場合は、すぐに柔らかい乾いた布で拭き→→取り、乾かしてください。液体が機器に入った後、機器を濡ら→→したり、機器が濡れている間に充電すると、過熱、感電、火災、→→けが、故障を引き起こす可能性があります。

■ 飲み物などの液体や異物などが機器内部に入らないようにして→→ください。

■ トレイの上に物を置く場合、機器のセンサーを覆わないように→→してください。

その場合、故障が発生したり周りの物が損傷するおそれがあり→→ます。

■ トレイの上に制限荷重を超えるものを載せないでください。

けが、故障、使用不能、周りの物の損傷が生じるおそれがあります。

① トレイ 3 枚使用時の負荷容量：各 10kg（合計 40kg）。

② 第 4 レイヤのトレイ（最下段トレイ）のみを使用した場合の積載量：15kg。

■ 機械が作動しているときは、トレイから物を取り出さないで→→ください。
物品がトレイから落下したり、周りの物が損傷したり→→するおそれがあります。

■ 食品衛生上、人が管理していない場所や手の届かない場所に放→→置しないでください。

■ 機器のトレイよりも大きなトレイや皿は使用しないでください。→→センサーが遮られ、故障を引き起こす可能性があります→→ます。

■ 医療環境、医療用電子機器の近くでは使用しないでください。

■ 機器使用の安全のために責任者による監督や指導を受けない限→→り、健康状態が良くない方、感覚的または精神的能力が低い方、→→経験や知識が不足している方（お子様を含む）が使用できない→→ようになっています。お子様が機器で遊ばないようにご注意ください。

クリーニングや使用者によるメンテナンスは、お子様だけで行→→わないようにしてください。

- ユーザーがバッテリーパックを交換することは認められません
- バッテリーを別個に保管する際の注意: 特殊充電装置を使用して毎月2時間充電します。
- ロボットの充電は占有されていない領域や閉じられた空間あるいはメンテナンス技術担当しか入れない空間で行います。
- ペットに注意し、ロボットの周りで走らせないようにしてください。
- 湿気の多いところでは使用しないでください。
- 電池の充電温度は10°C~40°Cを目安にしてください。
- 可燃物や爆発物のある場所にデバイスを置かないでください。
- 使用が禁止されているときは、装置の電源を入れないようにしてください。
- 走行中の安全確保のため、運転者は操作できません。
- 乾いた柔らかい布を使用してデバイスを清掃します。水、アルコール、洗剤、化学薬品は使用しないでください。
- デバイスのバッテリーと充電器は、お子様が飲み込んだり、誤って怪我をしたりしないように、手の届かないところに保管してください。お子様は大人の監視のもとでご使用ください。
- 病院や医療施設でのモバイル製品に適用されるすべての規則や規制を遵守してください。
- 製品に付属の電池のみを使用してください。
- この製品は、EU加盟国全体で使用できます。
- ▲ 100秒を超えて、光源を凝視しないでください。

 注意

- 操作者は本マニュアルを読み、正しい使い方を十分理解した上→→で機器を使用してください。
- 機器の操作、移動、メンテナンスは、必ずアダプターをソケット→→トから外してから行ってください。
- 機器の移動や運搬の際は、機器の転倒や落下に気を付けてくだ→→さい。
火災、けが、感電、損傷、故障、過熱、漏液、薬品→→の爆発、機械やバッテリー充電器が損傷するおそれがあります。

■ **熱い料理や不安定な料理**（グラスの中の液体、ボウルの中のスー→→ブなど）を運ぶときは、試運転を行って、運転中に液体がこぼ→→れたり、滴り落ちたりしないことを確認してください。

■ **重い物や複数の食器をトレイに載せるときは、安定させるため→→にトレイの中央に置いてください。**

故障したり、液体がこぼれたり、食器が落ちたりす→→ることがあります。

■ **重い物を運ぶときは、下の段のトレイに載せ、平らな床で機器→→を走行させてください。**

その場合、運転中に液体がこぼれたり、周りの物が損傷したり→→するおそれがあります。

■ **機器を使用するときは、常に車輪が床面に接するようにしてく→→ださい。**

故障が発生したり周りの物が損傷したりするおそれ→→があります。

■ **機械の移動中に不測の事態が発生した場合、操作者が直ちに対→→応できるようにしてください。**危険を感じたら、停止ボタンを→→押してください。使用者、第三者への危害、周りの物への損傷を与え→→るおそれがあります。

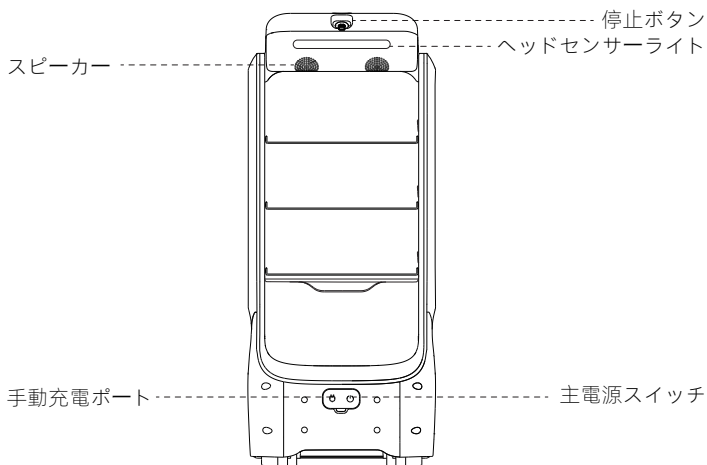
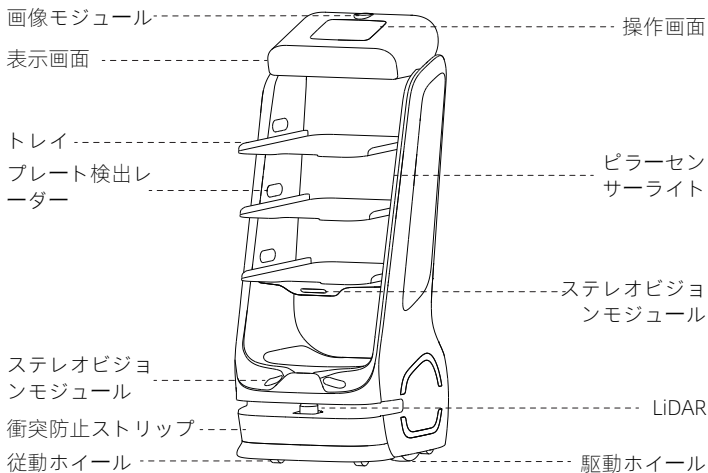
■ **温度0℃～40℃、湿度5%～85%の範囲で使用してください。**→→機器を収納するときは、温度-30℃～60℃、湿度10%～90%の→→範囲で、乾燥した埃の少ない場所で保管してください。

火災、けが、感電、損傷、故障、過熱、漏液、薬品→→の爆発、機械やバッテリー充電器に対するその他の損傷の原因に→→なります。

■ **機器を使用する室内環境が大きく変化した場合**（改装、新しい→→場所での機器の使用、目的地、椅子、テーブルなどの室内物品→→の配置変え）、**新しい位置特定・地図作成が必要です。**

3. 製品構成

3.1 外観と部品の説明



3.2 性能パラメータ

項目	使用
モデル	Keenobot T5 Pro
ロボット寸法 (L×W×H)	506mm×502mm×1205mm
トレイ寸法 (L×W×H)	第1レイヤ: 486mm×384mm×186mm その他のレイヤ: 486mm×384mm×166mm
ロボット重量 (充電用パイ ル除く)	61.5Kg
レイヤあたりの最大容量	10Kg
最高走行速度	0.9m/s
ネットワークポート	Wifi、4G
バッテリー容量	48V DC 12Ah
定格出力	50W
待機電流	待機電流 < 1.5A
バッテリー駆動時間	10~12 時間
耐用年数	20000時間
機器操作温度/湿度範囲	温度: 0°C ~ 40°C、湿度: 5% ~ 85%
輝度	室内300 ~ 20000LUX
動作環境	屋内の乾燥した環境、平らで滑らかな床
保管環境	温度: -30°C ~ 60°C、海拔標高: 1000 m以下

4. 操作

4.1 機器充電

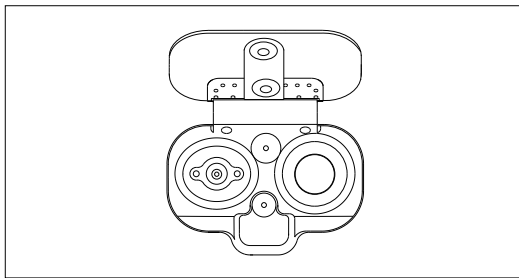
☑ 初めて使用するときや、電池残量が20%未満になったときは、機器を十分に充電するようにしてください。

* アダプターのランプが緑色に点灯すると充電が完了したことを示します。

☑ 充電中は機器を使用しないでください。

☑ ロボットを長期間使用しないときは、2か月ごとに完全に充電する必要があります。

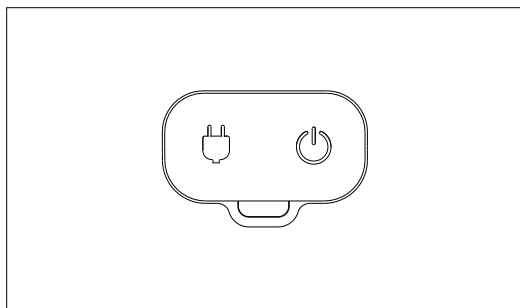
■ 機器背面の手動充電ポートのゴムカバーを開け、アダプターの充電プラグを充電ポートに差し込んでください。



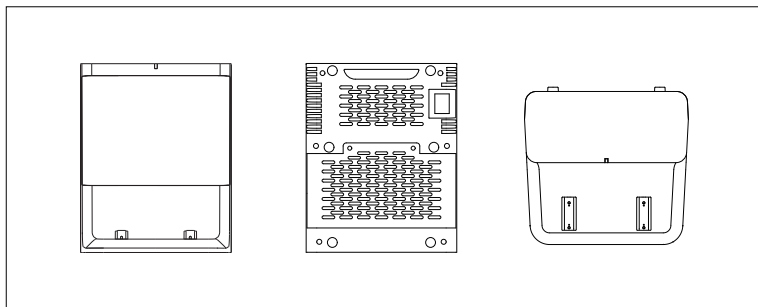
■ 充電が開始されると、アダプターランプが赤色に点灯します。タッチパネルが充電画面に切り替わり、充電中であることを示します。



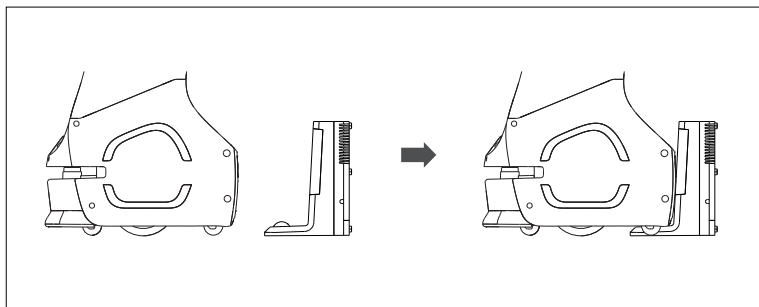
- アダプターの充電プラグを抜き、ゴムカバーを閉めます。



複数段式配膳ロボット充電パイルの構造図：



ロボットは充電のために無人エリア、閉鎖された空間、保守担当者や技術者のみがアクセスできる空間に置いてください。ロボットはスマート自己再充電機能を備えています。ロボットは、バッテリー残量が5%になったときや、手動でロボットを駆動して充電を行う場合、ロボットが自ら充電パイルを探し、ドッキングし、接触することで自動充電を実現します。



4.2 電源オン/オフ

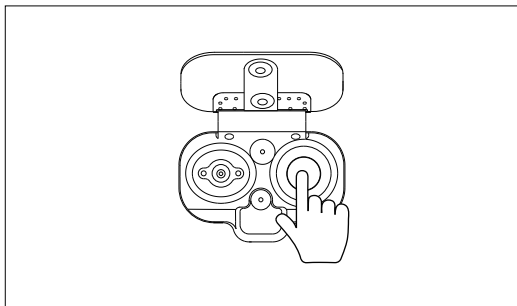
主スイッチは、機械の背面、右側のゴムカバーの下にあります。

■ 電源オン

主スイッチを1回押すと、約40秒で電源がオンになります。

■ 電源オフ

機器の電源をオンにするのと同じ要領で、主スイッチを1回押します。



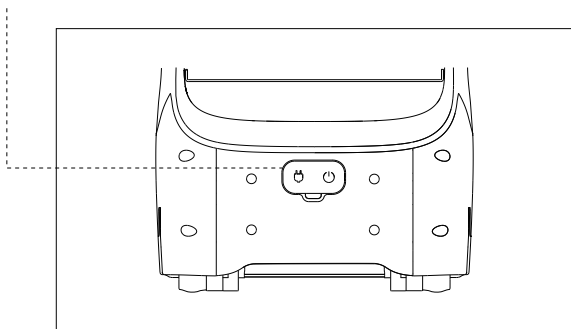
4.3 スイッチオフボタン操作

次の場合は、停止ボタンを押して機器を停止します。

- ⊙ 機器の動作中に手動で移動させる場合。
- ⊙ 機器の動作が異常であり（指示とは異なる方向に移動するなど）、周囲環境に損

害を与える可能性がある場合。

注意：機器の電源をオンにするときは、まず筐体下部のシリコンカバーを開け、右側の赤色のボタンを指で押します。

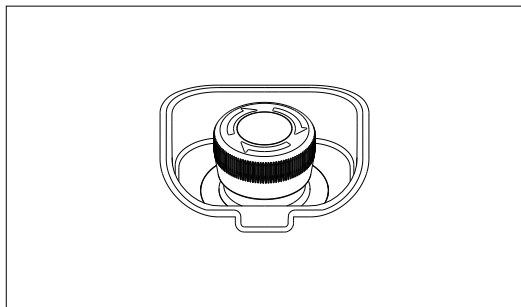


■ 緊急時の対応

ロボットの動作状態が異常な場合や、周囲環境に被害を与えるような不測の事態が発生した場合、ロボット上部の非常停止スイッチを押すことでロボットを停止させることができます。

異常な事態が解消し、ロボットが正常に動作していることを確認した上、頭部にある非常停止スイッチの矢印の回転方向にスイッチを軽く回すと、ロボットは通常動作に戻ります。

注意：傾斜地で非常停止ボタンを使用すると、機器が運動エネルギーの関係で、慣性で機器が勝手に移動し、けがの原因となります。



■ 障害物回避保護

この製品はマルチセンサー融合スキーマによって前方障害物を検知します。危険な状況になった場合、ロボットは減速して停止でき、自動で判断してオーバースピード制御をし、障害物回避機能を作動し、警音を発します。経路が詰まっていたり、ロボットが障害物を避けられない場合、警音と光がオンのままになるので、非常停止ボタンを押してロボットを離すか障害物を取り除きます。

■ 視覚・聴覚プロンプト

	ピラーライト	ヘッドライト	周囲光
衝突	黄色点滅	赤色点灯	赤色点灯
迷子になっている (ラベルを失っている)	黄色点滅	青色点灯	青色点灯
緊急停止	黄色点滅	赤色点灯	赤色点灯
移動中	青色周期	青色点灯	青色点灯
操縦方向	青色周期	青色フロー (方向転換する側)	青色点灯

4.4 モード選択

さまざまな環境シナリオに適応し、オンデマンドで選択できるさまざまなサービスモードを実現するために、ロボットには5つのモード、配膳モード、おやつ配達モード、多地点モード、直送モード、お祝いモードが用意されています。

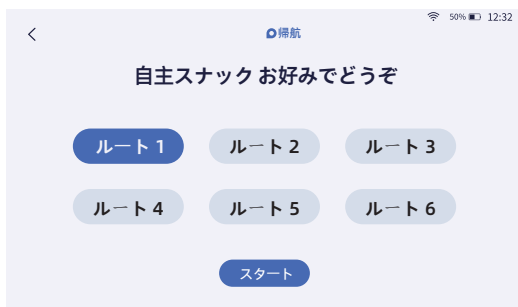
🕒 配膳モード

配膳モードでは、1回の走行で複数のテーブルに料理を運ぶことができます。このロボットは、複数のトレイに異なるお客様が注文した料理を置き、対応するテーブル番号を入力することで、自動的に最適なルートを計画し、できるだけ早く料理を提供することができます。



🕒 おやつ配達モード

おやつ配達モードでは、ロボットがセルフサービスでドリンクや音声、デザートやスナック、販促物などを提供し、店員が設定した円形の経路に沿って往復し、音声や画面表示を通じて、これらをお客様に取ってもらったり、味わってもらったりすることができます。



🕒 直送モード

直送モードでは、サービス員はロボットが料理取り出し口にドッキングしたときに、任意のテーブル番号を選択してロボットをそこに派遣できます。ロボットはテーブルに到着しても自動的に戻らず、新しいタスクを待機します。このモードは、主にレストランのテイクアウトサービスなどで利用されます。





🎁 サプライズモード

サプライズモードでは、ロボットが指定の目的地に到着した後、カスタマーの誕生日や他の祝日を祝う曲を再生できます。「ハッピーバースデートゥ***」など、願い事をカスタマイズすることができ、カスタマーに最高の祝福と嬉しいサプライズを提供します。



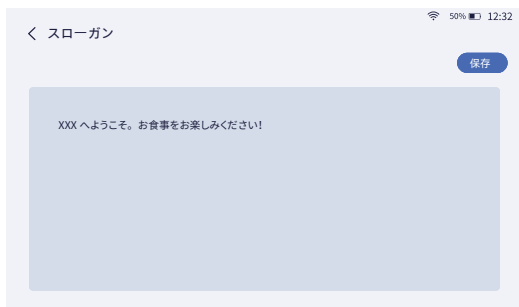
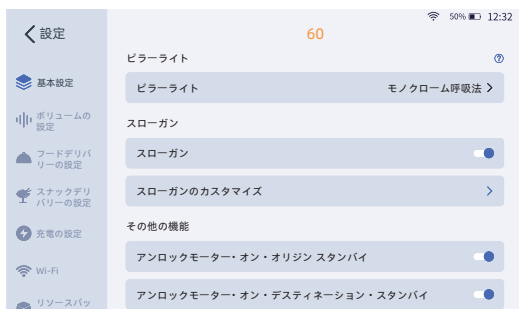
📍 多地点モード

多地点モードでは、おやつ配達モードと同様に、最大20個のテーブル番号を連続して選択することができます。



📄 スローガン機能

スローガン機能は、設定ページで有効にできます。設定ページでスローガン機能をオンにし、スクロール表示するテキストを入力します。例：「... (店舗名) へようこそ」テキストを入力したら、「保存」をタップします。顔文字の代わりにスローガンが、ロボットの画面に自動的にスクロール表示されます。いかなるモードでも、ロボットの動作がスローガン機能の影響を受けることはありません。



■ 配膳モード

配膳モードは一般的なモードであるタスク式配膳で、指定された位置に配膳する必要がある場合に使用されます。次のような手順で使用します。

- ① 配膳地点で配膳モードを選択します。
- ② トレイの上に料理を置きます（各段は1つのテーブルにしか対→→応できない）。
- ③ 料理のあるトレイをクリックし、目的地の座席番号を入力します。
- ④ テーブル番号を入力して配膳開始をクリックするとロボット→→→が配膳を開始します。
- ⑤ 設定された軌道に従って、ロボットはタスク位置にすばやく到→→→着します。配膳中に、ロボットの画面にタッチしてコマンドを→→停止すると、ロボットはすぐに停止して待機します。
- ⑥ 配膳タスクが一時停止してから30秒の間に（30秒がデフォルトで、最大で5分設定可能）、ロボットに異なる指示（タスクの→→修正、現在のタスクの終了、すべて

のタスクの終了)を与える→→ことができます。タッチコマンドがない場合、ロボットはタス→→クの実行を再開します。

- ⑦ タスク地点に到着すると、ロボットは音声通知（お食事が到着→→しましたなど）を發します。
- ⑧ タップして確認すると、ロボットは次のタスクを実行するかピ→→ックアップエリアに戻り、次のタスクを待ちます。
- ⑨ ロボットの最後のタスクの実行軌道を習得し、最後のタスクの→→配膳地点を習得します。





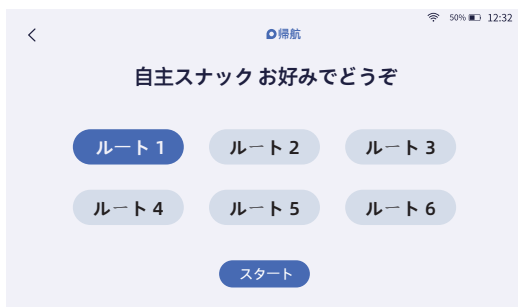


■ おやつ配達モード

おやつ配達モードは、ロボットが特定の環境で走行し、広い範囲をカバーするよく使われるモードです。次のような手順で使用します。

- ① 配達開始位置で、おやつ配達モードを選択します。
- ② 計画したルートを1つ選択します。
- ③ 配達を確認すると、ロボットが配達を開始します。
- ④ ロボットが配達中に音声を通じて、お客様に食品を受け取るよ→→うに促します。おやつ配達中に、ロボットの画面をタッチし→→てコマンドを停止させると、ロボットはすぐに停止して待機し→→ます。5秒の間に再びタッチコマンドを受信しなければ、ロボ→→ットはタスクの実行を再開します。
- ⑤ 食品を受け取る際、ロボットの前に立つかロボットの画面に触→→れると、ロボットの走行が停止し、画面が一時停止画面になり→→ます。これは、ロボットが動作を停止したことを示しており、→→お客様は自由に食品を受け取ることができます。

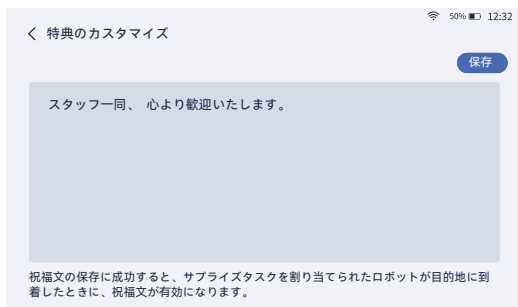




■ サプライズモード

スナックデリバリーモードの目的は、以下の手順でカスタマーに嬉しいサプライズを提供することです。

- ① ピックアップ場所でサプライズモードを選択します。
- ② サプライズモードページに進み、左下の「テキスト選択」をタップします。
- ③ メッセージを入力し、音楽を選択して、「保存」をタップします。
- ④ 宛先のテーブル番号を選択して、「開始」をタップします。
- ⑤ ロボットが目的地に到着すると、自動的に音楽が流れ、画面にメッセージがスクロール表示されます。



5. 機器メンテナンス

5.1 メンテナンス

■ 機器

- ① 機器の埃を拭くときは、必ずアダプターをコンセントから抜き、→アダプターの充電プラグを機器から抜いてください。
- ② LIDARセンサー、RGB-Dカメラ、頭部画像モジュールは、毎日→マイクロファイバークロスで拭いてください。
* マイクロファイバークロスは付属しておりませんので、お客様ご→自身でご用意ください。
- ③ 機器の使用後は、水で湿らせてから絞った柔らかい布で汚れを→落とし、次いで乾いた布で残った水分を拭き取り、よく乾かし→てください。
- ④ 機器の外側を消毒する場合は、消毒エタノールを使用してくだ→さい。液体を直接機械に吹き付けしないでください。除菌ウェツ→トティッシュに液体を染み込ませて、本体を掃除します。
- ⑤ 6か月ごとに定期的に機器の底部を点検および清掃してください。
- ⑥ 6ヶ月ごとに安全関連機器と安全機能の点検(非常停止機能、や障害物回避機能警音や警告灯等)と清掃を行ってください。期限から一週間前に機械が停止してメンテナンス時期になったことを知らせるポップアップが表示されます。この注意が表示されたら専門職アフターセールスマンテナンス担当者にご連絡の上、現場で適時の点検とメンテナンスを依頼してください。機械の正常な運転に影響するようなことを防止してください
- ⑦ 勾配やフロアの平坦性、ナビゲーションラベルが完全か、現場の照明機器の老朽化や損傷といったロボットの使用環境を日常点検してください。周囲光の明るさは300~20000luxかどうかも確認してください。
- ⑧ 機械やフロアに水や油の染みがあれば適時掃除してください。

■ 駆動輪と従動輪

- ① 車輪に付着した髪の毛や埃を取り除く。
- ② 車輪の清掃は、機器から車輪を取り外し、湿った布で拭いてく→ださい。
- ③ 機器が汚れた場合は、柔らかい床の上に本体を横向きに置き、→中性洗剤を浸した布で拭いてください。
* 解体の際は、けがをしないように手袋を着用してください。

■ バッテリーパックのアフターセールスマンテナンスや交換については工場にご連絡ください。

5.2 本体のメンテナンス

■ 使用後は必ず機器の電源を切り、バッテリーを充電してください。

- ① 機器を使用しないときは、電源を切って保管してください。
- ② 機器は防火扉、階段、消火設備の邪魔にならない場所に保管し→→てください。
- ③ 必ず乾燥した湿気のない屋内で保管してください。

5.3 ロボットの運搬

両手で持ち上げたり、両手で押ししたりして移動してください。

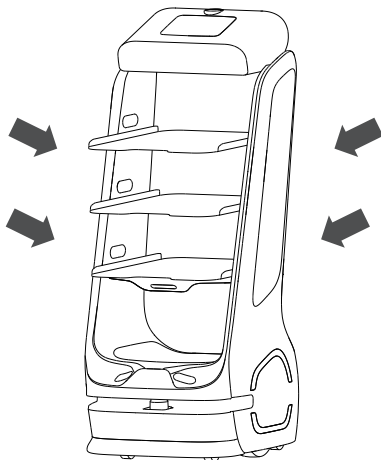
■ ロボットを持ち上げて移動します

両手で側面をつかみながら(図の矢印)、直立姿勢を維持します。

■ ロボットを押して移動します

ロボットは両手で側面を押して動かします(下図の矢印で示す位置)。

ロボットの底を引き上げたり、傾けたり、トレイやLiDARの横にあるスリットを持ち上げたりせず、前面または最上部を引かないでください。これを怠るとロボットが破損することがあります。



5.4 輸送

輸送中は、箱の指示に従って、寝かせたり落とさないようにしてください。開梱するときは、箱に記載の方向に機械を維持し、梱包用ベルトを取り外し、外箱を上へ向かって取り外し、充填図を取り出し、5.3の方法に従い指定箇所へ移動します。

5.5 廃棄について

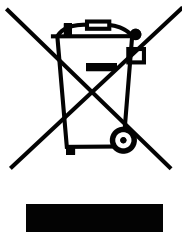
電子機器を勝手に廃棄すると環境を汚染します。使用地の国内廃棄物再利用政策を参照してから、廃棄してください。

この製品には有害物質であるバッテリーパックが含まれるため、再利用に関して専門家にお問い合わせください。

本製品は、リサイクル可能で高品質な材料と部品を使用して設計、製造されています。

本製品を廃棄する場合は、一般廃棄物や事業系廃棄物と区別して、地域や自治体の条例に基づく産業廃棄物として、産業廃棄物処理業者に依頼し、適正に処理されていることを確認してから行ってください。

* リースの場合、お客様ご自身で廃棄することはできません。カスタマーサポートにお問い合わせください。本機を廃棄するときは、電池を取り外して、お住まいの地域の廃棄物処理規制に従って適切に処理してください。

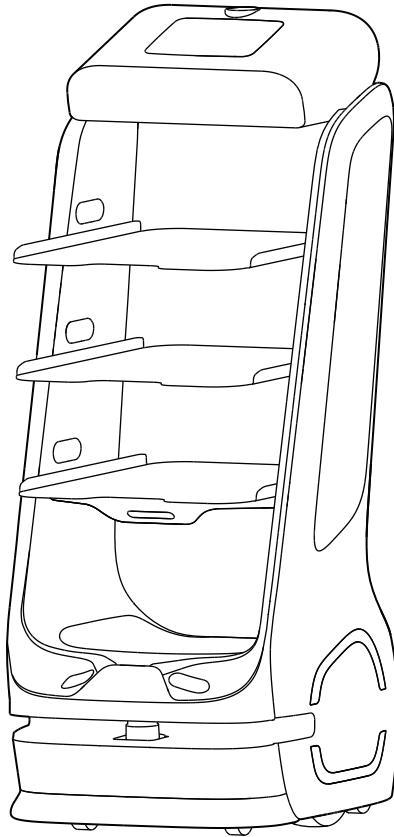


6. トラブルシューティング

問題が発生した場合は、以下の対処法をお試しください。

問題	解決方法
機器の電源が入らない	<p>① 電池の残量が少なくなっていたら、アダプターを使って機器を充電してください。</p> <p>② それでも問題が解決しない場合は、ユーザーサポートにお問い合わせください。</p>
機器が動作しない	<p>① 停止ボタンを押し、ラベルを見やすい場所に手で移動させ、停止ボタンを離し、再び移動するか確認してください。</p> <p>② ①の操作を行っても問題が解決しない場合、主電源スイッチを切り、→ラベルが見やすい場所にあるとき→に再び電源を入れます。その後でも→一度お試しください。</p> <p>③ それでも問題が解決しない場合→は、ユーザーサポートにお問い合わせ→してください。</p>
ナビゲーションが機能しない	<p>① 機器が地図から外れた場合は、主→電源スイッチを切り、機器をスター→ト位置付近に移動させてから、ナビ→ゲーションをもう一度起動してください。</p> <p>② 表示モジュールが布などの物品→で覆われていないことを確認して→ください。埃がある場合は取り除い→てください。</p>
機器から音声や音が出ない	<p>① 音が出ない、または音量が小さ→い場合は、音量を調節して→ください。</p> <p>② それでも問題が解決しない場合→は、ユーザーサポートにお問い合わせ→してください。</p>
機器が正常に動作しない	<p>主電源スイッチを切り、ユーザーサポートにご連絡ください。</p>

Keenon 스마트 운송 로봇 사용 설명서
Keenobot T5 Pro



Keenon Robotics Co.,Ltd.
나중에 참조할 수 있도록 본 사용 설명서를 저장하십시오

■ **성명:**

Copyright © 2022상하이 Keenon 스마트 테크놀로지 유한회사 저작권 소유, 모든 권리 보유.

상하이 Keenon 스마트 테크놀로지 유한회사의 명확한 서면 허가 없이 어떠한 조직이나 개인은 무단으로 본 설명서의 일부 또는 전부를 복제, 복사, 기록, 번역할 수 없으며 이익을 목적으로 한 어떠한 방식(전자, 복사, 녹화 등)으로도 유포할 수 없습니다. 본 설명서에 언급된 제품 사양 및 정보는 참고용으로만 제공되며 예고 없이 업데이트 될 수 있습니다. 특별한 규정이 없는 한, 본 설명서는 사용 지침으로만 제공되며.

목록

소개	66
안전 주의 사항	66
안전 주의 사항에 대하여	66
기호 설명	66
도형 기호 설명	67
제품 구성	71
외관 및 부품 소개	71
성능 매개변수	72
조작	73
로봇 충전	73
전원 켜기/전원 끄기	75
끄기 버튼 조작	75
모드 선택	78
로봇 관리	88
보수	88
본체 보수	88
로봇 운반	89
운반	89
폐기	89
고장 해결	91

1. 소개

Keenon Robotics에서 개발된 Keenon T5 Pro는 레스토랑, 호텔, 여관, 소매점에서 직원과의 협업을 통해 배송 업무를 담당하는 로봇입니다.

2. 안전 주의 사항




2.1 안전 주의 사항에 대하여

로봇의 사용전에 Keenon T5 Pro 사용자 매뉴얼(이하 "매뉴얼"이라 함)에 자세히 설명되어 있는 안전 지침에 대한 내용을 완전히 이해하고 준수해야 합니다. 여기에 제시된 주의 사항은 사용자 및 기타 인원에 대한 피해와 재산 손실을 방지하는 것을 목적으로 합니다. 현대로보틱스는은 로봇 또는 어댑터의 고장, 오작동, 문제점 등으로 인해 사용자 또는 제3자에게 발생하는 어떠한 손해에 대해서도 책임을 지지 않습니다.

본 설명서는 로봇 및 어댑터 사용에 대한 안전 주의 사항, 올바른 처리 절차 및 기타 규제 정보를 제공합니다. 본 설명서에 제시된 주의 사항은 발생할 수 있는 모든 상황을 다루지는 않습니다. 어떠한 상황(예: 로봇이 제대로 작동하지 않거나 로봇이 넘어질 경우)에서도 조작 인원, 행인 및 주변 인원의 안전을 최우선으로 합니다. 로봇 설치 및 사용에 대한 주의 사항을 충분히 숙지하고 본 설명서를 언제든지 찾아볼 수 있는 곳에 보관하십시오.

2.2 기호 설명

다음 기호 범주는 경고를 준수하지 않고 로봇 또는 관련 기기를 부당하게 사용하여 발생하는 피해 또는 손해의 정도를 설명합니다. 본 설명서를 열람하기 전에 다음 기호를 충분히 숙지 하십시오.

 경고	<p>조작 금지 경고 내용을 따르지 않을 경우 실명, 부상, 화상(고온, 저온), 감전, 골절, 중독 등을 초래할 수 있으며 후유증이 오래 지속될 경우, 입원 치료 또는 장기 입원 치료가 필요할 수 있습니다.</p>
 조심	<p>주의 사항에 따르지 않을 경우 부상, 화상, 감전 등을 초래할 수 있지만 입원 치료와 장기 입원 치료가 필요하지 않습니다.</p>
 주의	<p>주의 사항에 따르지 않을 경우 주택과 재산, 가축과 반려동물에게 피해가 발생할 수 있습니다.</p>

2.3 도형 기호 설명



경고



조심

■ 고온 장소(불꽃이나 화염 근처, 히터 근처, 직사광선이 들어오는 곳, 더운 날씨의 차 안 등), 따뜻한 장소 또는 열이 축적되는 곳(라디에이터, 전기담요 아래 또는 기타 따뜻한 곳)에서 로봇 또는 배터리 충전기를 사용하거나 충전하지 말아야 하며 이러한 곳에 설치하지 마십시오. 충분히 환기시키고 로봇 또는 배터리 충전기가 어떠한 물품으로 덮여있지 않도록 확인하십시오.

■ 안전상의 이유로 다음 구역에서 조작하지 마십시오.

① 로봇을 먼지, 모래, 눈, 얼음, 물, 습기, 염수 환경 또는 염무(예: 해양 환경, 해안 환경 등)에 노출시키지 마십시오.

이 로봇은 실내용으로 특별히 디자인되었습니다. 실외에서 사용하는 경우 자연적인 요인 및 기타 예기치 않은 행위로 인해 고장, 파손 또는 부품 파손, 주변 물체에 대한 파손이 발생할 수 있습니다.

② 단차가 0.5cm보다 큰 구역(거친 표면 등).

③ 연속된 내리막길.

④ 어린이 놀이터.

⑤ 빛이 반사되거나 또는 투명한 물체가 있는 구역(자동문, 창문, 거울, 아크릴판 등).

⑥ 검은색 테이프가 붙여져 있는 표면(빛의 반사율이 매우 낮은 재료) 또는 유사한 물품이 부착된 구역.

⑦ 계단, 에스컬레이터 근처.

⑧ 실외.

⑨ 햇빛이 강한 곳, (예: 창문 근처) .

⑩ 적외선을 발사하는 기기 근처의 구역(예: 자동문).

⑪ 로봇이 통과 가능한 최소 폭은 0.7m이고, 폭이 1.5m보다 큰 통로의 경우 두 대의 로봇이 마주 향해 이동하도록 설정할 수 있으며, 그렇지 않을 경우 피해 이동합니다.

■ 로봇의 작동 및 터치 스크린에 방해가 될 수 있는 장식품을 배치하지 마십시오.

■ 전원을 켤 때 로봇을 밀지 마십시오.

■ 계단이 있는 곳, 평평하지 않은 바닥(모자이크 타일, 길이가 1cm 이상의 카펫 등), 경사진 표면 또는 습한 바닥에서 로봇을 사용하지 마십시오.

그렇지 않을 경우, LiDAR 센서, RGB-D 카메라 또는 이미지 모듈 카메라가 정상적으로 작동하지 않을 수 있으며 로봇이 구르거나 추락하여 주변 사람과 물체에 피해 또는 손상이 발생할 수 있습니다.

■ 로봇 사용 통로를 항상 깨끗하게 유지하십시오.

로봇이 포크, 손가락 또는 젓가락과 같은 작은 장애물이나 물체 위를 지나가면 트레이에

있는 물품이 떨어져 부상을 입거나 고장이 발생하거나 사용할 수 없게 될 수 있습니다.

■ 본 제품은 휠형 로봇으로 실내 평탄한 환경(바닥이 평평하고 경사도는 5도 미만이며 돌출물이 1cm 미만)에 한하여 사용해야 합니다. 실외(노천 베란다), 거친 바닥(계단) 및 기타 환경에서는 사용하지 마십시오.

■ 로봇을 충전할 때는 로봇과 함께 제공되는 배터리 충전기만 사용할 수 있으며, 동봉된 배터리 충전기와 제공된 전용 전원 코드만 사용할 수 있습니다.

■ 전원 연결 시 로봇을 밀지 마십시오.

■ 먼지, 염분, 부식성 가스 또는 가연성 물질이 있는 곳이나 근처에서 배터리 충전기를 사용하지 마십시오.

그렇지 않을 경우 화재, 부상, 감전, 파손, 고장, 과열, 누전 또는 파손이 발생할 수 있습니다. 젖은 손으로 어댑터 케이블의 전원 또는 전압 장치를 접촉하지 마십시오.

■ 파손된 배터리 충전기 또는 전원 코드를 사용하지 마십시오.

■ 배터리 충전기는 특별히 측면으로 배치되어 있으므로 똑바로 세우거나 거꾸로 사용하지 마십시오.

■ 유지보수를 진행해야 하거나 배터리 충전기를 장시간 사용하지 않을 때는 콘센트에서 전원 코드를 분리해야 합니다.

■ 전원 코드가 배터리 충전기에 연결되어 있을 때 전원 코드를 뽑거나 너무 큰 힘을 가하지 말고 충전할 때 충전기를 장시간 만지지 마십시오.

■ 충전기의 사용여부와 관계 없이 충전기를 떨어뜨리거나 밟지 마십시오. 충전기 위에 물체를 놓거나 누르는 등 너무 큰 힘을 가하지 마십시오.

■ 실내에서만 로봇을 충전할 수 있습니다. 거리 등 실외에서는 사용하지 마십시오.

■ 타사 배터리, 전원 어댑터 또는 충전스테이션을 사용하지 마십시오. 배터리 또는 충전스테이션을 무단으로 분리, 수리 또는 개조하지 마십시오.

■ 로봇에서 요리(굽기 등)를 하지 마십시오.

그렇지 않을 경우 화재, 부상, 감전, 파손, 고장, 과열, 누전 또는 파손이 발생할 수 있습니다.

■ 로봇에 물이 닿지 않게하십시오.

로봇 디자인상 방진 및 방수 기능이 포함되어 있지만 완전방수가 되지는 않습니다. 트레이에 액체가 넘치면 즉시 부드럽고 건조한 천을 사용하여 닦아내고 말리십시오. 액체가 로봇에 스며들어 로봇이 젖은 상태에서 충전하면 과열, 감전 화재, 부상 또는 고장이 발생할 수 있습니다.

■ 음료와 같은 액체나 이물질 등이 로봇 내부에 들어가지 않도록 하십시오.

■ 물품이 로봇의 센서를 가릴 수 있으므로 트레이보다 높은 곳에 물품을 놓지 마십시오. 그렇지 않을 경우 고장이 발생하거나 주변 물체가 파손될 수 있습니다.

- 부하 한계를 초과하는 물품을 트레이에 놓지 마십시오.
그렇지 않을 경우 부상, 고장이 발생하거나 사용할 수 없게 되거나 또는 주변 물체가 파손될 수 있습니다.
- ① 각 트레이의 최대 적재 가능 무게는 10kg입니다.
- ② 4번째 트레이(하단, Cl.3.1의 그림 참조)는 15kg까지 적재가 가능합니다.
- 로봇이 움직일 때 물품을 트레이에서 가져가지 마십시오. 물품이 트레이에서 떨어지거나 주변 물체가 파손될 수 있습니다.
- 식품 위생을 위해 사람이 볼 수 없는 곳이나 닿을 수 없는 곳에 두지 마십시오.
- 로봇 트레이보다 큰 트레이나 접시를 사용하지 마십시오. 그렇지 않을 경우 센서를 가려 고장이 발생할 수 있습니다.
- 의료 환경이나 전자 의료 기기 근처에서는 사용하지 마십시오.
- 본 기기는 8세 이하 아동 및 신체 기능이 감퇴한 사람, 감각적 또는 심리적 능력이나 경험과 지식이 부족한 사람에게는 사용이 적절하지 않습니다.
위에 해당하는 사람이 로봇을 사용할 경우, 기기를 안전하게 사용하는 방법을 설명 받고 관련 위험을 이해한 후 감독 하에 사용해야 합니다. 어린이는 보호자의 감시없이 청소 및 사용자 보수를 진행할 수 없습니다.
- 사용자가 배터리를 교체할 수 없습니다.
- 배터리를 따로 보관할 경우: 특수 충전 장치를 사용하여 매월 2시간 동안 충전하십시오.
- 미사용 공간, 밀폐된 공간 또는 유지보수 기술자만 접근할 수 있는 공간에서 로봇을 충전하십시오.
- 애완동물이 로봇 주위에 뛰어다니지 않도록 주의 하십시오.
습한 환경에서 장치를 사용하지 마십시오.
- 배터리 충전 온도는 10~40°C 범위여야 합니다.
- 인화성 물질 또는 폭발물이 있는 영역에 장치를 노출시키지 마십시오.
- 사용이 금지된 장치를 켜지 마십시오.
- 운전 안전을 위해, 차량이 이동 중일 때는 운전자가 장치를 조작할 수 없습니다.
- 부드럽고 마른 천으로 장치를 청소하세요. 물이나 알코올, 세제, 화학 물질을 사용하지 마십시오.
- 장치 배터리와 충전기는 어린이의 손이 닿지 않는 곳에 보관하십시오. 실수로 삼키거나 다칠 수 있습니다. 어린이는 성인의 감독 하에만 장치를 사용해야 합니다.
- 병원 및 의료시설의 모바일 제품에 적용되는 모든 규칙과 규정을 준수하십시오.
- 제품에 포함된 배터리만 사용하십시오.
- 이 제품은 EU 회원국에서 사용할 수 있습니다.

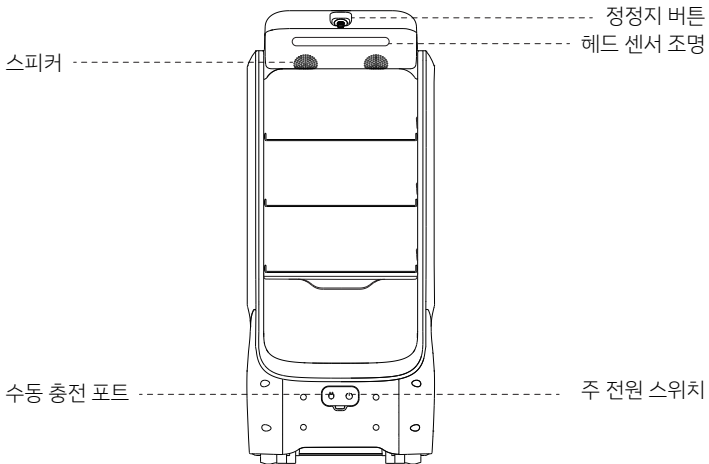
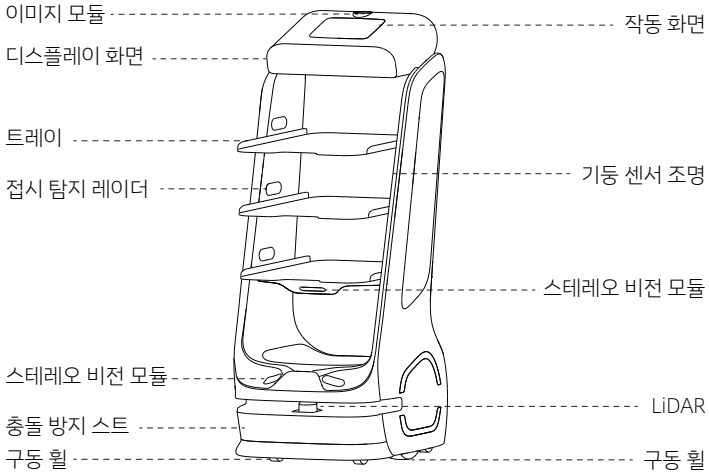
▲ 광원을 응시하는 시간이 길지 말아야 하고 최대 100초를 초과하지 말아야 합니다.

주의

- 조작 인원은 사용 전에 본 설명서를 열람하고 로봇의 올바른 사용 방법을 철저히 이해해야 합니다.
- 로봇을 조작하거나 이동하거나 보수하려면 콘센트에서 어댑터를 분리해야 합니다.
- 로봇을 이동하거나 운송할 때 로봇을 넘어뜨리거나 떨어뜨리지 마십시오. 그렇지 않을 경우 화재, 부상, 감전, 파손, 고장, 과열, 누출 또는 화학 폭발로 이어지거나 로봇 또는 배터리 충전기가 파손될 수 있습니다.
- 뜨겁거나 액체류 요리(유리컵의 액체, 그릇의 수프 등)를 운반할 때는 테스트 작업을 진행하여 조작 과정 중 액체가 넘치거나 흘러내리지 않음을 확인해야 합니다.
- 무거운 물품 또는 여러 요리를 트레이에 놓을 때 트레이의 중심에 놓아 안정성을 유지해야 합니다. 그렇지 않을 경우 고장이 발생하거나, 액체가 넘치거나 요리가 떨어질 수 있습니다.
- 무거운 물품을 배송할 때 낮은 층의 트레이에 놓고 로봇이 평평한 바닥에서 작동되어야 합니다. 그렇지 않을 경우 운행 중에 액체가 넘치거나 주변 물체가 파손될 수 있습니다.
- 로봇을 사용할 때 휠은 항상 바닥과 접촉해야 합니다. 그렇지 않을 경우 고장이 발생하거나 주변 물체가 파손될 수 있습니다.
- 로봇 이동 시 예기치 않은 상황이 발생할 때 조작 인원은 즉시 이에 대처할 수 있어야 하며, 위험이 느껴질 경우 비상정지 버튼을 누르십시오. 그렇지 않을 경우 이로 인해 사용자, 제3자 또는 주변 물체가 다치거나 파손될 수 있습니다.
- 온도 0°C~40°C 이내, 습도 5%~85% 이내에서 로봇을 사용해야 하며, 온도 -30°C~60°C 이내, 습도 10~90% 이내의 건조하고 먼지가 없는 곳에 보관하십시오. 그렇지 않을 경우 화재, 부상, 감전, 파손, 고장, 과열, 누출, 화학 폭발 또는 로봇이나 배터리 충전기에 대한 기타 파손이 발생할 수 있습니다.
- 로봇이 작동하는 실내 환경에 큰 변화가 있을 때(인테리어 변경 시, 새로운 장소에서 로봇 이용 시, 실내 물품(목적지, 의자, 테이블 등) 재배치하는 경우) 다시 매핑해야 합니다.

3. 제품 구성

3.1 외관 및 부품 소개



3.2 로봇 파라미터

항목	사양
모델	Keenbot T5 Pro
로봇 치수 (L×W×H)	506mm×502mm×1205mm
트레이 치수 (L×W×H)	첫 번째 층: 486mm×384mm×186mm 다른 층: 486mm×384mm×166mm
로봇 무게 (충전 파일 제외)	61.5Kg
층당 최대 수용량	10Kg
최대 이동 속도	0.9m/s
네트워크 포트	와이파이, 4G
배터리 용량	48V DC 12Ah
정격 전원	50W
대기 전류	대기 전류 < 1.5A
배터리 수명	10~12시간
서비스 수명	20000시간
로봇 작동 온도/습도 범위	온도: 0°C~40°C, 습도: 5%~85%
밝기	실내 300-20000LUX
작업 환경	실내 건조 환경, 평평하고 매끈한 바닥
저장 환경	온도: -30°C~60°C, 해발 고도: 1000m 이하

4. 조작

4.1 로봇 충전

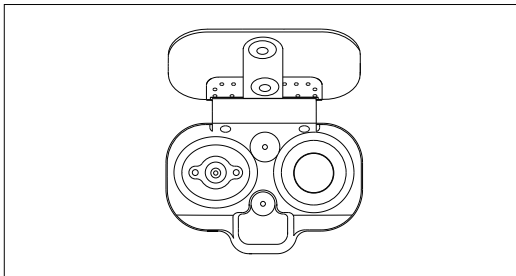
☑ 로봇을 처음 사용하거나 배터리가 20% 미만일 때는 반드시 로봇을 100%까지 충전하십시오.

* 어댑터 지시등이 녹색으로 바뀌면 충전이 완료되었음을 의미합니다.

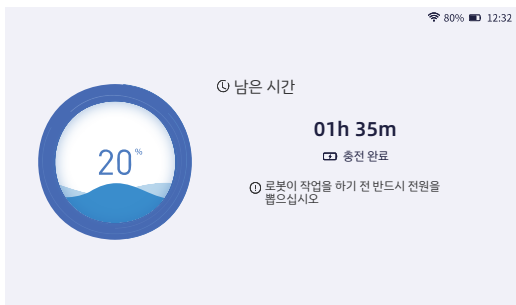
☑ 충전 중에는 로봇을 사용할 수 없습니다.

☑ 장시간 로봇을 사용하지 않을 때에는 2개월에 한 번씩 로봇을 100%로 충전해야 합니다.

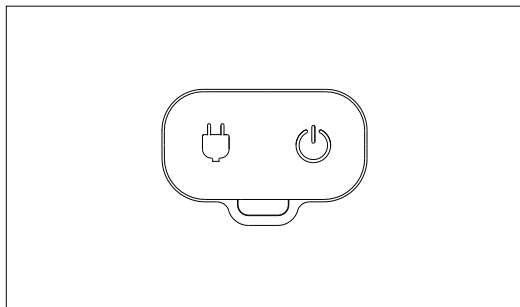
■ 로봇 뒷면 수동 충전 포트의 고무 커버를 열고 어댑터의 충전 플러그를 충전 포트에 꽂습니다.



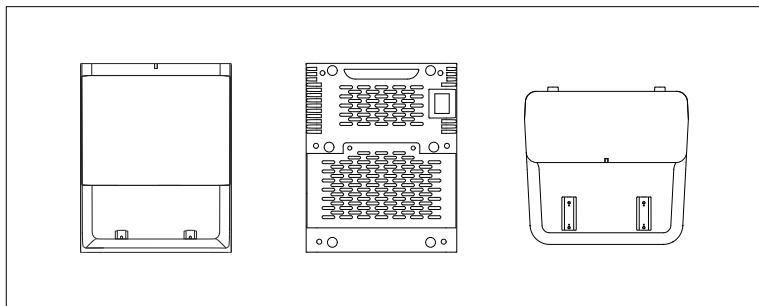
■ 충전이 시작되면 어댑터 지시등에 빨간색이 켜집니다. 터치스크린이 충전 화면으로 바뀌어 충전 중임을 표시합니다.



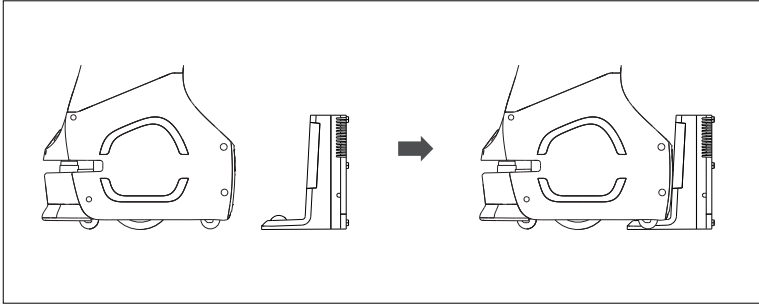
■ 충전 완료 후 어댑터 충전 플러그를 분리하고 고무 커버를 닫습니다.



서빙 로봇 충전스테이션 구조도:



로봇을 무인 구역에서 충전해야 하므로, 폐쇄된 공간이나 유지보수 담당자와 기술자만 갈 수 있는 공간에 배치합니다. 로봇은 자체 배터리 잔량이 5%에 이르거나 충전 지시를 받으면 자율적으로 충전스테이션을 찾아 자율적으로 충전할 수 있습니다.



4.2 전원 켜기/전원 끄기

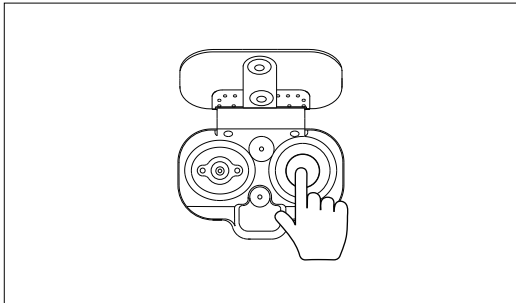
메인 스위치는 로봇 뒷면, 고무 커버 아래의 오른쪽에 있습니다.

■ 전원 켜기

메인 스위치를 한 번 누르며, 전원을 켜는 데 약 40초 소요됩니다.

■ 전원 끄기

전원을 켜는 것과 같은 방식으로 메인 스위치를 한 번 누릅니다.

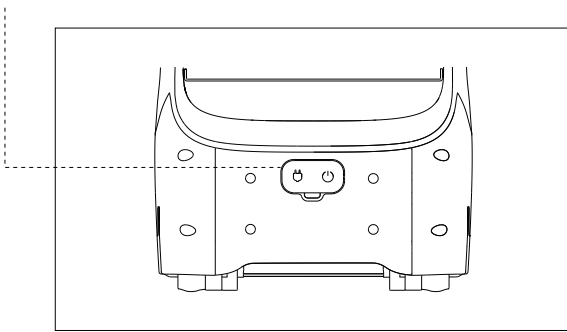


4.3 끄기 버튼 조작

아래와 같은 경우 중지 버튼을 누르면 로봇이 중지됩니다.

- ☑ 로봇이 운행중일 때 로봇을 수동으로 이동시킬 경우.
- ☑ 로봇 작동 이상(예: 지시 방향과 다른 방향으로 이동하는 경우)이 발생하는 경우.

주의: 밑부분 아래에 있는 고무 커버를 먼저 열고 오른쪽 빨간색 버튼을 누르면 전원이 켜집니다.

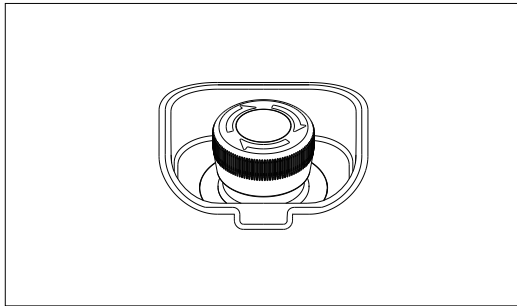


■ 긴급 처리

로봇이 비정상 작동 상태이거나 예기치 않은 상황이 발생하여 주변 환경에 피해를 줄 우려가 있는 등 긴급 상황이 발생할 경우 사용자는 로봇 상단의 비상 정지 스위치를 눌러 로봇의 작동을 중지할 수 있습니다.

로봇 비정상 상태가 해제되어 로봇이 정상적으로 작동하면 로봇 헤드부에 있는 비상 정지 스위치의 화살표 회전 방향으로 스위치를 가볍게 돌려 로봇 정상 작동을 복구합니다.

주의: 경사면에서 비상 정지 버튼을 사용하면 로봇이 관성에 의해 움직여 피해를 입힐 수 있습니다.



■ 장애물 회피 보호

이 제품은 다중 센서 융합 방식을 사용하여 전방의 장애물을 판단합니다. 위험한 상황이 발생하면 로봇이 스스로 판단하여 감속, 정지 및 기타 과속 제어 및 장애물 회피 기능을 수행하고 음향 프롬프트를 제공할 수 있습니다.

경로가 혼잡하고, 로봇이 장애물을 피할 수 없고, 경보음과 경고등이 계속 작동하면 비상정지 스위치를 눌러 로봇을 멀리 옮기거나 장애물을 제거하십시오.

■ 소리 및 조명 프롬프트:

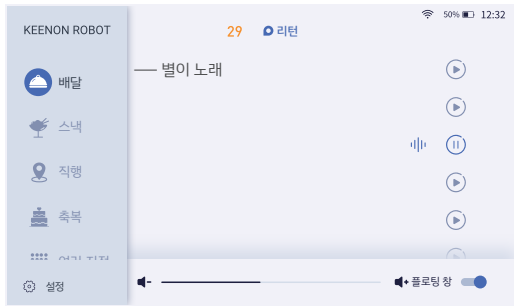
	기동 조명	헤드 조명	주변 조명
충돌	노란색 깜박임	빨간색 점등	빨간색 점등
분실(라벨 분실)	노란색 깜박임	파란색 점등	파란색 점등
비상 정지	노란색 깜박임	빨간색 점등	빨간색 점등
이동	주기적인 파란색	파란색 점등	파란색 점등
조종 장치	주기적인 파란색	한 방향으로 점등되는 파란색 (회전 방향 축)	파란색 점등

4.4 모드 선택

다양한 환경에 적응하고 다양한 업무를 수행하기 위해 로봇은 서빙 모드, 스낵 배송 모드, 멀티 포인트 모드, 직행 모드, 생일 축하 등 다섯 가지 모드를 제공합니다.

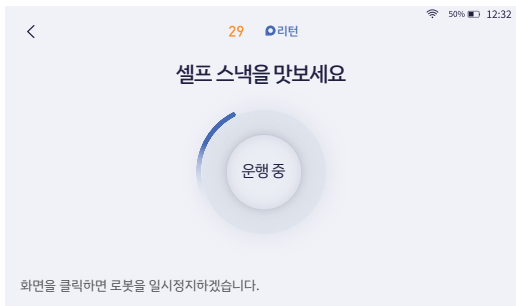
☑ 서빙 모드

서빙 모드에서 로봇은 여러 테이블을 한 번에 동시에 서빙할 수 있습니다. 트레이에 여러 고객이 주문한 요리를 놓고 해당 테이블 번호를 입력하면 로봇은 스스로 최적의 경로를 생성하여 빠른 속도로 요리를 서빙합니다.



☑ 스낵 배송 모드

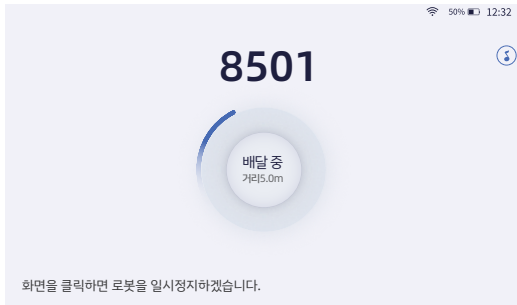
스낵 배송 모드에서 로봇은 셀프 음료, 디저트 스낵 또는 홍보 물품 등을 서비스 담당자가 정한 순환 경로에 따라 반복적으로 배송하고 음성 및 화면 디스플레이를 통해 고객이 픽업하거나 맛보도록 요청할 수 있습니다.



🕒 직행 모드

직행 모드에서 서비스 담당자는 서빙 시작 위치에 있는 로봇을 임의의 테이블 번호로 이동하도록 선택하고, 로봇이 목표 지점에 도착한 후 원래 위치로 돌아가지 않고 새로운 명령을 기다립니다. 식당 배달 서비스 등 유사한 경우에 많이 사용됩니다.





☑ 서프라이즈 모드

서프라이즈 모드에서 로봇이 정해진 목적지에 도착한 후 고객의 생일 또는 기타 기념일의 축하를 위해 노래를 재생합니다. 원하는 바가 무엇인지는 "***에게 생일 축하해"와 같이 고객에게 맞춤 수 있어 고객에게 놀라운 즐거움을 선사할 수 있게됩니다.



☞ 멀티 포인트 모드

멀티 포인트 모드는 스넵 배송 모드와 유사하지만 연속적으로 최대 20개의 테이블 번호를 선택할 수 있도록 지원합니다.



☞ 슬로건 기능

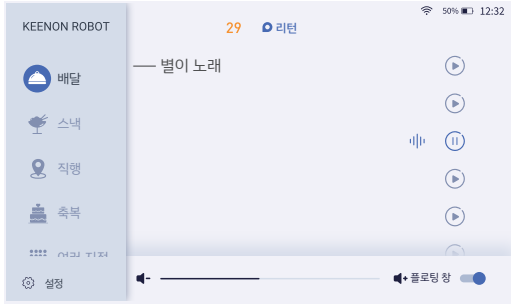
슬로건 기능은 설정 페이지를 통해 활성화할 수 있습니다. 설정 페이지에서 슬로건 기능을 켜고 스크롤 표시에 표시할 텍스트를 입력하십시오. 예를 들어 "...(상점명)"에 오신 것을 환영합니다. 텍스트 입력 후 저장을 누르십시오. 해당 슬로건은 이모티콘 대신 로봇 화면을 통해 자동으로 스크롤됩니다. 해당 슬로건 기능은 어떤 모드에서도 로봇의 움직임에 영향을 주지 않습니다.

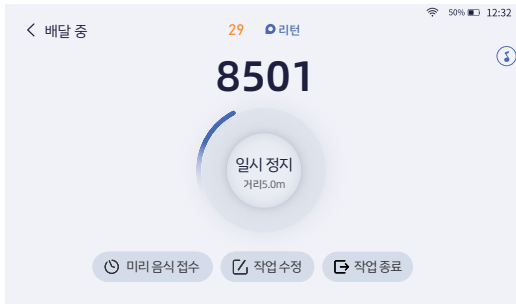
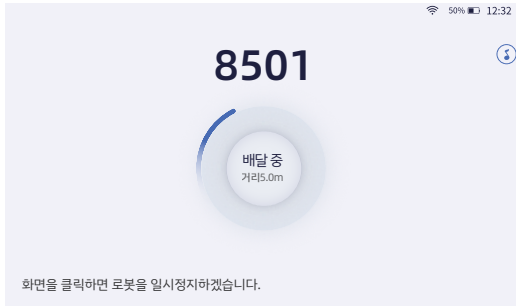


■ 서빙 모드

서빙 모드는 자주 사용하는 모드로 지정된 위치로 서빙합니다. 구체적인 절차는 다음과 같습니다.

- ① 서빙 시작 위치에서 서빙 모드를 선택합니다.
- ② 트레이에 요리를 놓습니다(트레이당 한 개 테이블만 지정 가능).
- ③ 요리가 있는 트레이를 누르고 목적지 테이블 번호를 입력합니다.
- ④ 테이블 번호 입력 완료 후 배송 시작을 누르면 로봇이 이동합니다.
- ⑤ 서빙 중 디스플레이 상 중지 버튼을 터치하면 로봇은 이동을 중단합니다.
- ⑥ 서빙 작업이 일시 중지된 후 30초(30초가 기본값이며 최대 5분까지 설정할 수 있음) 이내에 로봇에 대해 다양한 명령(명령 수정, 현재 명령 종료, 모든 명령 종료)을 내릴 수 있습니다. 명령을 터치하지 않으면 로봇은 기존 작업을 수행합니다.
- ⑦ 목표 지점에 도착하면 로봇이 음성 알림(주문하신 음식이 나왔습니다.)을 재생합니다.
- ⑧ 확인을 누른 후 다음 명령을 수행하거나 서빙 시작 위치로 돌아가 다음 명령을 기다립니다.
- ⑨ 로봇의 마지막 작업 수행 경로를 통해 해당 배송 지점을 파악할 수 있습니다.

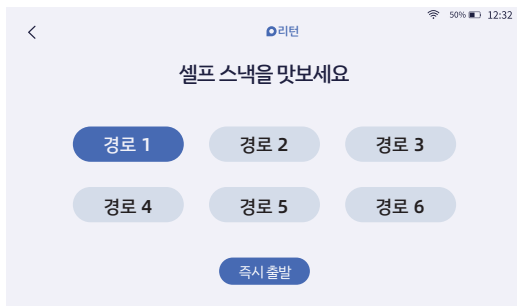


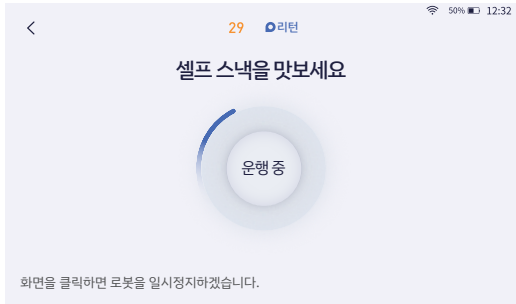


■ 스낵 배송 모드

스낵 배송 모드는 자주 사용하는 모드로, 로봇이 특정 환경에서 이동하며 이동 범위가 넓습니다. 구체적인 절차는 다음과 같습니다.

- ① 서빙 시작 위치에서 스낵 배송 모드를 선택합니다.
- ② 정해진 경로를 선택합니다.
- ③ 배송을 확인하면 로봇이 명령을 수행합니다.
- ④ 로봇은 배송 중에 음성 알림을 재생하여 고객이 음식을 픽업하도록 알립니다. 스낵 배송 중에 로봇 디스플레이 상 중지 버튼을 터치하면 로봇이 즉시 멈춰서 기다립니다. 5초 후 추가 명령을 받지 않을 경우 로봇은 기존 명령을 수행합니다.
- ⑤ 음식을 픽업할 때 로봇 앞쪽에 서거나 로봇 디스플레이를 터치하면 로봇이 바로 작동을 중지하고 화면이 일시 중지 페이지로 이동하여 로봇의 작동이 중지되었음을 나타내고 고객은 의향에 따라 음식을 픽업할 수 있습니다.

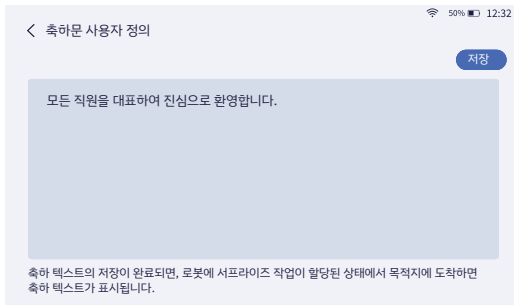




■ 서프라이즈 모드

스낵 배달 모드는 아래의 단계처럼 고객에게 즐거운 놀라움을 줄 수 있도록 설계되었습니다.

- ① 픽업할 장소에서 서프라이즈 모드를 선택하십시오.
- ② 서프라이즈 모드 페이지로 이동하여 좌측 하단 모서리에 위치한 텍스트 선택을 누르십시오.
- ③ 기념 문구를 입력하고 음악을 선택한 후 저장을 탭하십시오.
- ④ 도착 테이블 번호를 선택한 후 시작을 누르십시오.
- ⑤ 로봇이 목적지에 도착하게 되면 음악을 자동 재생하고 화면에 기념 문구를 스크롤하게 됩니다.



5. 로봇 관리

5.1 유지보수

■ 로봇

- ① 로봇의 먼지를 닦아내기 전에 콘센트에서 어댑터를 분리하고 로봇에서 어댑터의 충전 플러그를 분리해야 합니다.
- ② LiDAR 센서, RGB-D 카메라 및 상단 이미지 모듈을 매일 극세사천으로 청소합니다.
* 극세사천은 포함되지 않으니 직접 준비하십시오.
- ③ 로봇을 사용한 후에는 부드러운 천을 물에 적신 후 물기를 짠 후 닦은 다음 마른 천으로 남아 있는 물을 닦아내고 충분히 건조시키십시오.
- ④ 로봇 외부를 소독할 때는 소독용 에탄올을 사용하십시오. 액체를 로봇에 직접 뿌리지 마십시오. 액체에 담갔던 소독된 물티슈로 로봇을 청소하십시오.
- ⑤ 6개월마다 로봇 하단을 정기적으로 검사하고 청소하십시오.
- ⑥ 기기는 6개월마다 안전 관련 장비 및 안전 기능 검사(예: 비상 정지 기능, 장애물 회피 기능, 음향 및 조명 경보 등)를 점검하고 청소해야 합니다. 만료일 1주일 전에 기기가 작동을 멈추고 유지보수가 필요하다는 알림이 표시됩니다. 알림 메시지를 확인한 후, 적시에 현장 점검 및 유지보수를 위해 전문 애프터 유지보수 담당자에게 문의하십시오. 기기의 정상 작동에 영향을 주지 않도록 하십시오.
- ⑦ 지면의 기물기와 편평함, 내비게이션 라벨 완비 여부 그리고 현장 조명기기의 노후화나 손상 여부 등 로봇의 적용 환경을 매일 점검해야 합니다. 주변 조도가 300~20000lux 범위에 있는지 확인하십시오.
- ⑧ 기기나 지면에 물이나 오일 얼룩이 있으면 제때에 제거하십시오.

■ 드리빙 휠 및 드리븐 휠

- ① 휠에 걸린 모발과 먼지를 제거합니다.
 - ② 휠을 청소하려면 로봇에서 휠을 분리하고 젖은 천으로 닦으십시오.
 - ③ 로봇이 더러우면 부드러운 바닥에 옆으로 눕히고 중성 세제에 담갔던 천으로 닦으십시오.
- * 분리할 때 장갑을 착용하여 다치지 않도록 하십시오.

■ 배터리 팩의 애프터 유지보수 및 교체에 대해서는 공장에 문의해야 합니다.

5.2 본체 보수

■ 사용 후에는 반드시 로봇을 끄고 배터리를 충전하십시오.

- ① 로봇을 사용하지 않을 때는 로봇을 끄고 보관하십시오.
- ② 방화문, 계단 또는 소방 장치의 사용을 방해하지 않는 곳에 로봇을 보관하십시오.
- ③ 항상 건조하고 습기가 없는 실내 장소에 보관하십시오.

5.3 로봇 운반

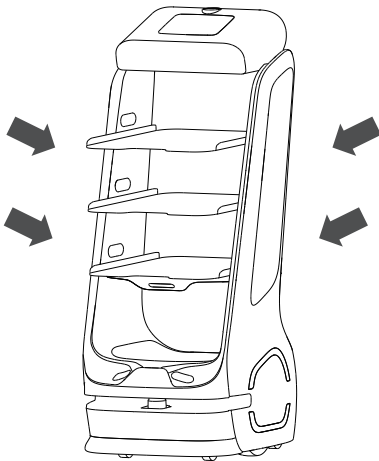
양손으로 들어 올리거나 양손으로 밀어서 로봇을 이동하십시오.

■ 로봇을 들어 올려 이동

양손으로 측면을 잡고, 직립 자세를 유지하면서 기기(그림의 화살표)를 들어올립니다.

■ 로봇을 밀어서 이동

양손을 사용하여 측면(아래 그림에서 화살표로 표시된 위치)을 밀어 로봇을 이동합니다. 로봇의 바닥을 위로 당기거나, 기울이거나, LiDAR 옆에 있는 트레이나 슬릿을 들어 올리거나, 로봇의 전면이나 상단을 당기지 마십시오. 이 지침을 지키지 않을 경우, 로봇이 손상될 수 있습니다.



5.4 운반

운반 중에는 상자의 화살표 방향을 따르고 평평하게 놓이거나 내던지지 마십시오. 포장을 풀 때 기기를 상자에 표시된 방향으로 유지하고, 포장 벨트를 제거하고, 외부 상자를 아래에서 위로 제거하고, 충전 도표를 제거한 다음 5.3의 방식에 따라 기기를 지정된 위치로 운반하십시오.

5.5 폐기

전자 장비를 임의대로 폐기하면 환경이 오염되므로 폐기하기 전에 현지 국가 폐기물

재활용 정책을 참조하십시오.

이 제품에는 유해 물질인 리튬 배터리가 포함되어 있으므로 폐기물 전문 처리 인원에게 수거 요청 문의하십시오.

이 제품은 재활용 가능한 고품질 소재와 구성 요소로 설계 및 제작되었습니다.

제품을 폐기할 때는 산업용 폐기물 처리 업체에 요청하여 지역 및 지자체 규정에 따라 일반 및 사업용 폐기물과 다른 산업폐기물에 해당하는 적절한 방식으로 폐기되는지 확인하십시오.

* 리스한 제품은 폐기할 수 없습니다. 고객 지원 부서에 문의하십시오. 기계를 폐기할 때는 기계에서 배터리를 제거하고 해당 지역의 폐기물 처리 규정에 의거하여 적절한 방식으로 폐기하십시오.

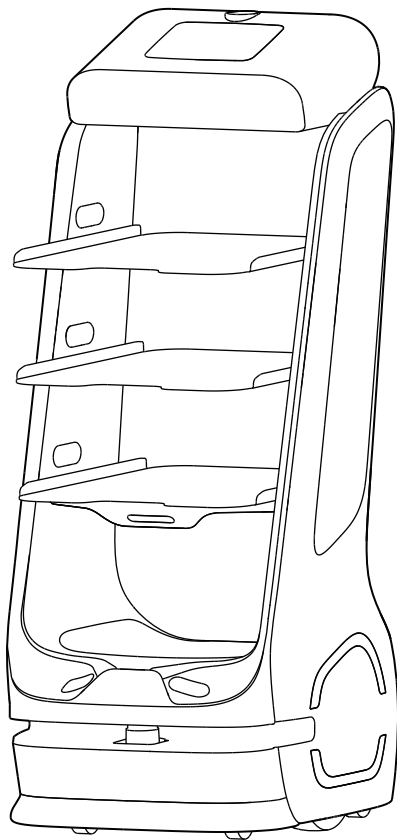


6. 고장 해결

문제가 발생하면 다음 솔루션을 시도해 보십시오.

문제점	솔루션
로봇을 켤 수 없음	<ol style="list-style-type: none"> ① 배터리 잔량이 낮을 때는 어댑터를 사용하여 로봇을 충전하십시오. ② 문제가 지속되면 사용자 지원센터에 문의하십시오.
로봇이 움직이지 않음	<ol style="list-style-type: none"> ① 중지 버튼을 누르고 라벨이 눈에 띄는 곳에 수동으로 이동하고 중지 버튼에서 손을 떼어 로봇이 다시 움직이는지 확인하십시오. ② 위 작업을 수행한 후에도 문제가 지속되면 메인 전원 스위치를 끄고 로봇의 라벨을 쉽게 볼 수 있는 곳으로 로봇을 이동하여 다시 전원을 켜보십시오. ③ 문제가 지속되면 사용자 지원센터에 문의하십시오.
내비게이션을 사용할 수 없음	<ol style="list-style-type: none"> ① 로봇이 맵에서 벗어나면 메인 전원 스위치를 끄고 로봇을 시작 위치 근처로 이동한 다음 내비게이션을 재부팅 하십시오. ② 디스플레이 모듈이 천이나 다른 물품으로 가려지지 않았는지 확인하십시오. 먼지가 있으면 제거하십시오.
로봇이 음성이나 소리를 재생할 수 없음	<ol style="list-style-type: none"> ① 음성이나 소리가 들리지 않거나 볼륨이 작을 경우 볼륨을 조절하십시오. ② 문제가 지속되면 사용자 지원센터에 문의하십시오.
로봇이 제대로 작동하지 않음	메인 전원 스위치를 끄고 사용자 지원센터에 문의하십시오.

Manuel d'utilisation du robot de livraison intelligent de Keenon
Keenbot T5 Pro



Keenon Robotics Co.,Ltd.

CONSERVER CE MANUEL D'INSTRUCTION POUR VOUS Y RÉFÉRER ULTÉRIEUREMENT

■ Avis:

Copyright © 2022 Keenon Robotics Co., Ltd. Tous droits réservés.

Ce document ne peut être copié, reproduit, transcrit ou traduit, en partie ou en totalité, par un individu ou une organisation, ni être transmis sous quelque forme ou par quelque moyen que ce soit (électronique, photocopie, enregistrement, etc.) à des fins commerciales sans l'autorisation écrite préalable de Keenon Robotics Co., Ltd.

Les spécifications du produit et les informations mentionnées dans le présent document sont données à titre indicatif uniquement et sont susceptibles d'être modifiées sans préavis. Sauf indication contraire, ce manuel d'utilisation est destiné uniquement à servir de guide d'utilisation.

Table des matières

Introduction	95
Consignes de sécurité	95
À propos des consignes de sécurité	95
Description des symboles	96
Description graphique des symboles	97
Spécifications du produit	104
Aspect et composants	104
Spécifications	105
Fonctionnement	106
Chargement du robot	106
Mise sous/hors tension	108
Fonctionnement du bouton d'arrêt	108
Sélection du mode	111
Maintenance du robot	122
Maintenance	122
Soins du corps du robot	123
Déplacement et manipulation du robot	123
Transport	124
Mise au rebut	124
Dépannage	126

1. Introduction

Keenbot T5 Pro, conçu par Keenon Robotics, est un robot de livraison qui travaille en collaboration avec le personnel des restaurants, des hôtels, des auberges et des magasins de vente au détail.

2. Consignes de sécurité

2.1 À propos des consignes de sécurité

Avant d'utiliser le robot, veuillez comprendre et respecter pleinement les consignes de sécurité décrites dans le manuel d'utilisation de Keenbot T5 Pro (ci-après dénommé « ce manuel »). Les précautions mentionnées ici ont pour but d'éviter les blessures aux utilisateurs et aux autres personnes ainsi que les dommages matériels. Veuillez toujours prêter attention.

Keenon Robotics ne peut être tenu responsable de tout dommage causé à l'utilisateur ou à un tiers du fait d'un dysfonctionnement, d'un mauvais fonctionnement, d'un problème, etc. du robot ou de l'adaptateur d'alimentation.

Ce manuel contient des précautions de sécurité pour l'utilisation du robot et de l'adaptateur d'alimentation, des procédures de manipulation appropriées et d'autres informations réglementaires. Les précautions mentionnées dans ce manuel ne couvrent pas toutes les situations possibles. La sécurité des opérateurs, des piétons et des personnes présentes aux alentours est toujours la première priorité, quelles que soient les circonstances (par exemple, si le robot ne fonctionne pas normalement ou se renverse). Respectez toujours les précautions mentionnées lors de l'installation et de l'utilisation du robot et conservez ce manuel à portée de main.

Ce produit peut être utilisé dans les États membres de l'UE.




	AT	BE	BG	HR	CY	CZ	DK
	EE	FI	FR	DE	EL	HU	IE
	IT	LV	LT	LU	MT	NL	PL
	PT	RO	SK	SI	ES	SE	UK

Ici, Keenon Robotics Corp. Co. Ltd déclare
l'équipement est conforme aux directives suivantes:



Applied Directive	Applied Standards	
MD Directive 2006/42/EC	EN ISO 13482:2014 EN 62368-1:2014+A11:2017 EN ISO 12100:2010	
RE Directive 2014/53/EU	EN 301489-1 V2.2.3 EN 301 489-19 V2.2.0 EN 301 489-52 V1.1.2 EN 301489-17 V3.2.4 EN IEC 62311:2020 EN 300 328 V2.2.2	EN 301511 V12.5.1 EN 301908-1 V13.1.1 EN 301908-2 V13.1.1 EN 301908-13 V13.1.1 ETSI EN 303413 V1.2.1
EMC Directive 2014/30/EU	EN 61000-3-3: 2013+A1:2019 EN IEC 55014-1: 2021 EN IEC 55014-2: 2021 EN IEC 61000-3-2:2019+A1: 2021	
RoHS Directive(2011/65/EU)	Pb, Hg, Cd, Cr (VI), PBB, PBDE, DEHP, BBP, DBP, DIBP according to standard IEC 62321-1: 2013, IEC 62321-2: 2013, IEC 62321-3-1: 2013, IEC 62321-4: 2013+A1: 2017, IEC 62321-5: 2013, IEC 62321-6: 2015, IEC 62321-7-1: 2015, IEC 62321-7-2: 2017 & ISO 17075-1: 2017, IEC 62321-8: 2017	
WEEE Directive 2012/19/EU		
REACH(EC) No 1907/2006	SVCH 224 Annex XVII	

2.2 Description des symboles

Les catégories de symboles suivantes expliquent l'étendue des blessures ou des dommages occasionnés par le non-respect des avertissements et l'utilisation incorrecte du robot ou de l'équipement associé. Assurez-vous de bien comprendre les symboles suivants avant de lire ce manuel.

 AVERTISSEMENT	<p>Les symboles AVERTISSEMENT préviennent les utilisateurs des opérations dangereuses pouvant entraîner une cécité, des blessures, des brûlures (à haute ou basse température), une électrocution, une fracture des os, un empoisonnement, etc., entraînant des séquelles durables qui nécessitent une hospitalisation ou un séjour prolongé à l'hôpital.</p>
 ATTENTION	<p>Les symboles ATTENTION indiquent que le non-respect de ces précautions peut entraîner des blessures, des brûlures, une électrocution, etc. Toutefois, une hospitalisation ou un séjour prolongé à l'hôpital ne seraient pas nécessaires.</p>
 REMARQUE	<p>Les symboles REMARQUE indiquent que le non-respect de ces précautions peut endommager les habitations et les biens ou blesser le bétail et les animaux domestiques.</p>

2.3 Description graphique des symboles

 AVERTISSEMENT
 ATTENTION

■ **N'utilisez pas, ne chargez pas et ne stockez pas le robot et le chargeur de batterie dans des endroits exposés à des températures élevées** (à proximité d'étincelles ou de flammes, près de chauffages, en plein soleil, dans une voiture par temps chaud, etc.), **dans des endroits chauds ou dans des endroits où la chaleur s'accumule** (comme sous des radiateurs, des couvertures électriques). **Veillez à une bonne ventilation et veillez à ne pas recouvrir le robot et le chargeur de batterie de tissus.**

■ **Pour des raisons de sécurité, n'utilisez pas le robot dans les conditions suivantes :**

① **N'exposez pas le robot à un environnement présentant une quantité excessive de poussière, de sable, de neige, de glace, d'eau, d'humidité, d'eau salée ou de brouillard salin** (tel qu'un environnement marin ou un environnement côtier).

Le robot est conçu pour une utilisation en intérieur uniquement. L'utilisation du robot en extérieur peut entraîner un dysfonctionnement, la destruction ou l'endommagement des composants et des objets environnants en raison de facteurs naturels et d'autres actions inattendues.

Faute de quoi, cela pourrait entraîner des blessures, un dysfonctionnement ou des dommages aux objets environnants.

② Zones avec des paliers supérieurs à 0,5 cm (comme une surface rugueuse).

③ Descente continue.

④ Zone de jeu pour enfants.

⑤ Zones comportant des objets réfléchissants ou transparents (tels que des portes automatiques, des fenêtres, des miroirs, des panneaux acryliques, etc.).

⑥ Surfaces recouvertes de ruban adhésif noir (matériaux à très faible réflectivité lumineuse) ou zones attachées avec des matériaux similaires.

⑦ À proximité d'escaliers ou d'escalators.

⑧ À l'extérieur.

⑨ Endroits fortement exposés au soleil, comme les endroits près des fenêtres.

⑩ Zones proches d'équipements infrarouges, comme les portes automatiques.

⑪ L'allée doit mesurer au moins 0,7 m pour permettre le passage d'un robot. Une allée d'une largeur supérieure à 1,5 m permet à deux robots de se déplacer de front, sinon, les robots traverseront l'allée un par un.

■ Ne placez pas d'ornements car ils peuvent gêner le fonctionnement du robot et de l'écran tactile.

■ Ne poussez pas le robot lorsqu'il est mis sous tension.

■ N'utilisez pas le robot dans des endroits comportant des escaliers, des sols irréguliers (tels que des carreaux de mosaïque et des tapis dont les poils dépassent 1 cm), des surfaces en pente ou des sols humides.

Faute de quoi, le capteur LiDAR, la caméra RVB-D ou la caméra du module d'image risquent de ne pas fonctionner correctement et le robot peut se renverser ou tomber, ce qui pourrait entraîner des blessures ou des dommages aux personnes et aux objets environnants.

■ Maintenez toujours propre l'allée utilisée par le robot.

Si le robot circule sur de petits obstacles ou des objets tels que des fourchettes, des cuillères ou des baguettes, les articles sur les plateaux risquent de tomber, ce qui pourrait entraîner des blessures et un dysfonctionnement ou rendre le robot inutilisable.

■ Ce robot sur roues est destiné à être utilisé en intérieur sur des surfaces planes (surface lisse avec une pente inférieure à 5 degrés et des inégalités inférieures à 1 cm). Ne l'utilisez pas à l'extérieur (comme sur des balcons ouverts), sur des sols accidentés (comme des escaliers) et autres endroits extérieurs.

■ Lorsque vous chargez le robot, utilisez uniquement le chargeur de

batterie d'origine et le cordon d'alimentation spécifique fournis avec le robot.

■ Ne poussez pas le robot lorsqu'il est sous tension.

■ N'utilisez pas le chargeur de batterie dans ou à proximité d'endroits renfermant de la poussière, du sel, des gaz corrosifs ou des substances inflammables.

Faute de quoi, cela pourrait provoquer un incendie, des blessures, une électrocution, des dommages, un dysfonctionnement, une surchauffe, une fuite ou une rupture. Ne touchez aucune source d'alimentation ou de tension avec des mains mouillées en dehors du câble de l'adaptateur.

■ N'utilisez pas de chargeurs de batterie ou de cordons d'alimentation endommagés.

■ Le chargeur de batterie est conçu pour être placé sur son côté. Ne l'utilisez pas à la verticale ou à l'envers.

■ Assurez-vous que le cordon d'alimentation est débranché de la prise avant l'entretien ou si vous n'utilisez pas le chargeur de batterie pendant une période prolongée.

■ Lorsque le cordon d'alimentation est connecté au chargeur de batterie, ne marchez pas sur le cordon d'alimentation et ne le soumettez pas à une force excessive. Ne touchez pas le chargeur pendant une période prolongée pendant la charge.

■ Ne laissez pas tomber ou ne marchez pas sur le chargeur, qu'il soit connecté ou non. Ne lui appliquez pas de force excessive, par exemple en plaçant des objets ou en le piétinant.

■ Chargez le robot uniquement à l'intérieur. Ne l'utilisez pas à l'extérieur, par exemple dans la rue.

■ N'utilisez pas de batteries, d'adaptateurs d'alimentation ou de piles de recharge provenant d'une tierce partie. Ne démontez pas, ne réparez pas et ne modifiez pas la batterie ou la pile de recharge sans autorisation.

■ Ne cuisinez pas (par exemple, cuisson au four et grill) sur le robot.

Faute de quoi, cela pourrait provoquer un incendie, des blessures, une électrocution, des dommages, un dysfonctionnement, une surchauffe, une fuite ou une rupture.

■ Ne projetez pas d'eau sur le robot.

Bien que le robot soit conçu pour être étanche à la poussière et aux gouttes, il

n'est pas complètement étanche. Si du liquide s'écoule du plateau, essuyez-le immédiatement avec un chiffon doux et sec et faites sécher le plateau à l'air libre. Tout liquide pénétrant dans le robot ou le fait de le charger alors qu'il est humide peut entraîner une surchauffe, une électrocution, un incendie, des blessures ou un dysfonctionnement.

■ **Ne laissez pas de liquides tels que des boissons ou d'autres objets étrangers pénétrer à l'intérieur du robot.**

■ **Ne placez pas d'articles qui dépassent la hauteur du plateau et qui bloquent les capteurs du robot.**

Faute de quoi, cela pourrait entraîner un dysfonctionnement ou des dommages aux objets environnants.

■ **Ne placez pas d'articles qui dépassent la capacité de charge sur le plateau.**

Faute de quoi, cela pourrait entraîner des blessures, un dysfonctionnement, des dommages aux objets environnants ou rendre le robot inutilisable.

① **Capacité de charge lors de l'utilisation de 3 plateaux : 10kg chacun (40kg au total).**

② **Capacité de charge lors de l'utilisation du plateau de la 4e couche (le plateau inférieur) uniquement : 15kg.**

■ **Ne retirez pas d'éléments d'un plateau lorsque le robot est en mouvement.** Faute de quoi, cela pourrait entraîner la chute d'articles du plateau ou endommager les objets environnants.

■ **Pour garantir l'hygiène des aliments, ne laissez pas d'aliments sans surveillance ou hors de portée.**

■ **N'utilisez pas un plat ou une assiette plus grande que le plateau du robot.** Faute de quoi, il pourrait bloquer les capteurs et provoquer un dysfonctionnement.

■ **N'utilisez pas le robot dans un environnement de soins de santé ou à proximité d'un équipement médical électronique.**

■ **Pour le marché européen :**

Cet appareil peut être utilisé par des enfants de 8 ans ou plus et par des personnes dont les capacités physiques, sensorielles ou mentales sont réduites ou qui manquent d'expérience et de connaissances s'ils sont sous surveillance ou si des instructions concernant l'utilisation de l'appareil d'une manière sécurisée leur ont été fournies et s'ils comprennent les dangers impliqués. Les enfants ne doivent pas jouer avec l'appareil. Le nettoyage et l'entretien utilisateur ne doivent pas être effectués par des enfants sans surveillance.

■ Pour le marché non européen :

Cet appareil n'est pas prévu pour être utilisé par des personnes (y compris des enfants) dont les capacités physiques, sensorielles ou mentales sont réduites ou qui manquent d'expérience et de connaissances, à moins que ces personnes ne soient sous surveillance ou que des instructions concernant l'utilisation de l'appareil ne leur aient été fournies par une personne responsable de leur sécurité.

Les enfants doivent être surveillés pour veiller à ce qu'ils ne jouent pas avec l'appareil.

■ Le bloc de batteries ne doit pas être remplacé par l'utilisateur.

■ Lorsque vous stockez la batterie séparément : veuillez utiliser un dispositif de charge spécial pour la charger pendant 2 heures une fois par mois.

■ Chargez le robot dans une zone inoccupée, un espace clos ou un espace accessible uniquement par les techniciens de maintenance.

■ Veuillez surveiller vos animaux domestiques et ne les laissez pas courir autour du robot.

■ N'utilisez pas votre appareil dans un environnement humide.

■ La température de chargement de la batterie doit être comprise entre 10 et 40 °C.

■ N'exposez pas votre appareil aux zones comportant des produits inflammables ou explosifs.

■ N'allumez pas votre appareil lorsqu'il est interdit de l'utiliser.

■ Pour des raisons de sécurité routière, le conducteur ne peut pas utiliser l'appareil lorsque la voiture est en mouvement.

■ Utilisez un chiffon sec pour nettoyer l'appareil ; n'utilisez pas d'eau, d'alcool, de détergent ou tout autre produit chimique.

■ Gardez la batterie et le chargeur de l'appareil hors de portée des enfants pour éviter qu'ils ne les avalent ou se blessent par accident. Les enfants ne doivent utiliser l'appareil que sous la surveillance d'un adulte.

■ Respectez toutes les règles et réglementations applicables aux produits mobiles utilisés dans les hôpitaux et les établissements de soins de santé.

■ N'utilisez que la batterie fournie avec le produit.

▲ Ne fixez pas la source lumineuse pendant trop longtemps (pas plus de 100 secondes).



REMARQUE

■ L'opérateur doit lire ce manuel et parfaitement comprendre comment utiliser le robot correctement avant de l'utiliser.

■ Assurez-vous que l'adaptateur est débranché de la prise avant d'utiliser ou de déplacer le robot et d'effectuer la maintenance.

■ Ne retournez pas et ne faites pas tomber le robot lorsqu'il se déplace ou qu'il est manipulé.

Faute de quoi, cela pourrait entraîner un incendie, des blessures, une électrocution, des dommages, un dysfonctionnement, une surchauffe, une fuite, une explosion chimique ou des dommages au robot ou au chargeur de batterie.

■ Lorsqu'il livre des plats chauds ou instables (comme du liquide dans un verre et de la soupe dans un bol), effectuez un essai à l'avance pour vous assurer qu'aucun liquide ne se renverse ou ne coule pendant le fonctionnement.

■ Lorsque vous placez des objets lourds ou plusieurs plats sur le plateau, placez-les au centre pour maintenir la stabilité.

Faute de quoi, cela pourrait entraîner un dysfonctionnement, un écoulement de liquide ou la chute de plats.

■ Lorsqu'il livre des objets lourds, placez-les sur des plateaux inférieurs et faites en sorte que le robot fonctionne sur une surface plane.

Faute de quoi, cela pourrait entraîner un écoulement de liquide ou des dommages aux objets environnants pendant le fonctionnement.

■ Lorsque vous utilisez le robot, gardez toujours les roues en contact avec le sol.

Faute de quoi, cela pourrait entraîner un dysfonctionnement ou des dommages aux objets environnants.

■ Assurez-vous que l'opérateur peut réagir immédiatement à toute situation inattendue pendant que le robot se déplace. Si vous suspectez un quelconque danger, appuyez sur le bouton d'arrêt.

Faute de quoi, cela pourrait entraîner des blessures à l'utilisateur ou à des tiers ou endommager les objets environnants.

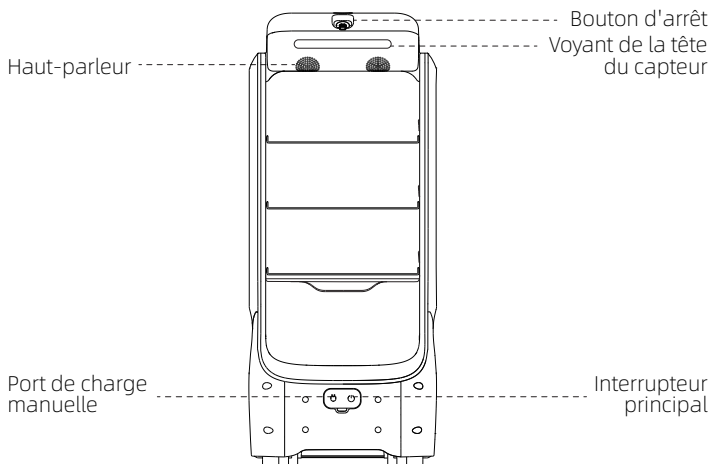
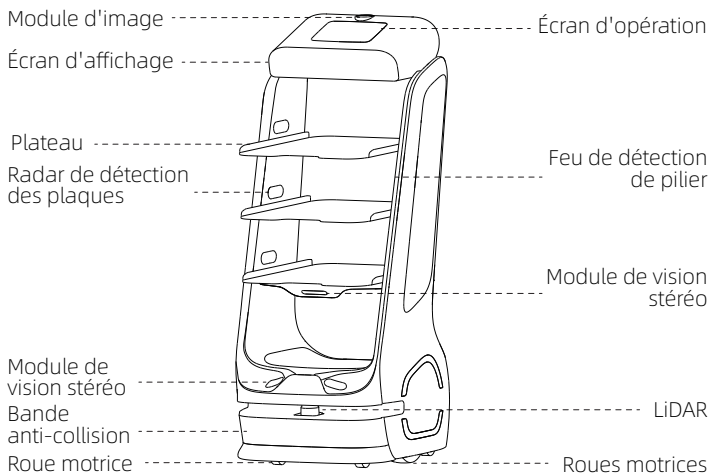
■ Utilisez le robot dans un environnement dont la température est comprise entre 0° C et 40° C et l'humidité entre 5 % et 85 %. Rangez le robot dans un endroit sec et sans poussière dont la température est comprise entre -30° C et 60° C et l'humidité entre 10 % et 90 %.

Faute de quoi, cela pourrait entraîner un incendie, des blessures, une électrocution, des dommages, un dysfonctionnement, une surchauffe, une fuite, une explosion chimique ou d'autres dommages au robot ou au chargeur de batterie.

■ **En cas de changements importants dans l'environnement intérieur** (tels qu'une nouvelle décoration, l'utilisation du robot dans un nouvel emplacement, le réarrangement des éléments intérieurs tels que les lieux, les chaises et les tables), **une nouvelle cartographie est requise.**

3. Spécifications du produit

3.1 Aspect et composants



3.2 Spécifications

Article	Spécifications
Modèle	Keenon T5 Pro
Caractéristiques du robot (L×l×H)	506mm×502mm×1205mm
Dimensions des plateaux (L×l×H)	La première couche: 486mm×384mm×186mm Autres couches: 486mm×384mm×166mm
Poids du robot (sans la pile de chargement)	50Kg
Capacité maximale par couche	10Kg
Vitesse de déplacement maximale	1.2m/s
Port réseau	Wifi, 4G
Capacité de la batterie	48V DC 12Ah
Puissance nominale	50W
Courant de veille	Courant de veille < 1.5 A
Autonomie de la batterie	10~12h
Durée de vie en service	20000h
Plage de température/humidité de fonctionnement du robo	Température : 0 °C ~ 40 °C, Humidité : 5% ~ 85%
Luminosité	Intérieur 300 ~ 20000 Lux
Environnement de travail	Intérieur sec avec un sol plat et régulier
Environnement d'entreposage	Température : -30 °C ~ 60 °C, en dessous d'une altitude de 1000m

4. Fonctionnement

4.1 Chargement du robot

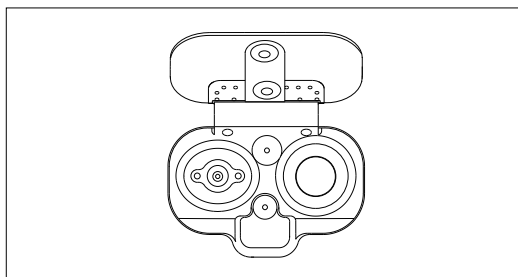
☑ Chargez complètement le robot lorsque vous l'utilisez pour la première fois ou lorsque le niveau de la batterie est inférieur à 20 %.

* La charge est terminée lorsque le voyant de l'adaptateur passe au vert.

☑ N'utilisez pas le robot pendant la charge.

☑ Chargez complètement le robot tous les deux mois si celui-ci reste inutilisé pendant une longue période.

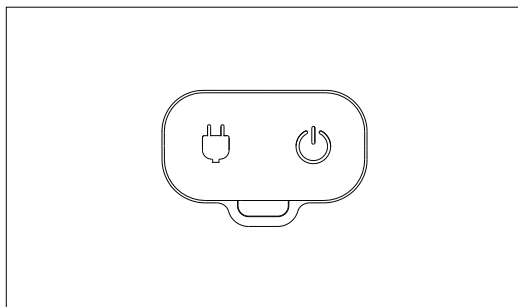
■ Ouvrez le couvercle en caoutchouc du port de chargement manuel à l'arrière du robot, et connectez l'adaptateur au port de chargement.



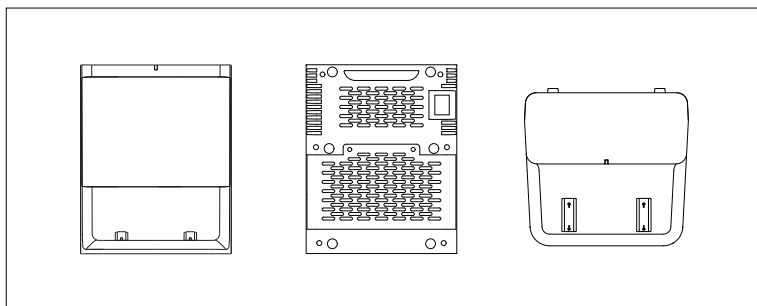
■ Le voyant de l'adaptateur devient rouge lorsque la charge commence. Touchez l'écran et passez à l'écran de charge, qui indique que la charge est en cours.



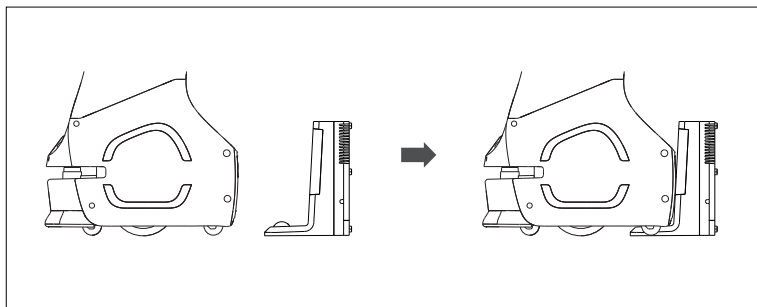
- Débranchez l'adaptateur et refermez le couvercle en caoutchouc.



La figure suivante montre la structure de la pile de recharge d'un robot de livraison de nourriture à plusieurs niveaux :



Chargez le robot dans des zones inoccupées, des espaces fermés ou des espaces uniquement accessibles par les techniciens de maintenance. Le robot est doté d'un système de charge automatique intelligent. Il localise, s'adapte et se connecte automatiquement à la pile de recharge pour une charge automatique lorsque le niveau de sa batterie descend à 5 % ou lorsqu'il est manuellement envoyé en recharge.



4.2 Mise sous/hors tension

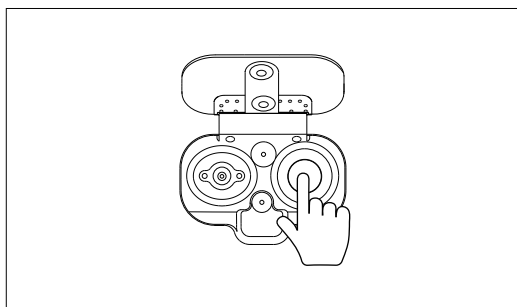
L'interrupteur principal se trouve à l'arrière du robot, sur le côté droit, sous le couvercle en caoutchouc.

■ Mise sous tension

Appuyez une fois sur l'interrupteur principal pour mettre le robot sous tension, ce qui prendra environ 40 s.

■ Mise hors tension

Appuyez une fois sur l'interrupteur principal pour mettre le robot hors tension, comme pour la mise sous tension du robot.

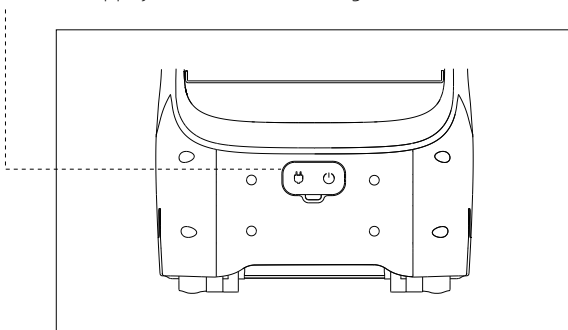


4.3 Fonctionnement du bouton d'arrêt

Dans les conditions suivantes, arrêtez le robot en appuyant sur le bouton d'arrêt :

- ☑ Déplacement manuel du robot lorsqu'il fonctionne.
- ☑ Le robot ne fonctionne pas normalement (par exemple, il se déplace dans une direction différente de celle indiquée) et peut endommager son environnement.

Remarque: Ouvrez le couvercle en silicone situé sous le châssis et mettez-le sous tension en appuyant sur le bouton rouge situé à droite.

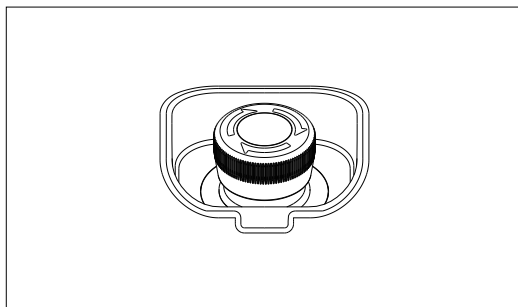


■ Manipulation d'urgence

Lorsque le robot ne fonctionne pas normalement ou dans toute autre situation d'urgence constituant une menace pour le milieu environnant, vous pouvez arrêter le robot en appuyant sur l'interrupteur d'arrêt d'urgence situé sur le dessus.

La position et le fonctionnement de l'interrupteur d'arrêt d'urgence :
Après avoir confirmé le retour à la normale du robot, tournez doucement l'interrupteur dans le sens indiqué sur l'interrupteur d'arrêt d'urgence situé sur le dessus et faites revenir le robot en fonctionnement normal.

Remarque: Si vous appuyez sur le bouton d'arrêt d'urgence lorsque le robot se trouve sur une pente, le robot libère l'énergie cinétique et continue à se déplacer par inertie, ce qui peut occasionner des blessures.



■ Système d'évitement des obstacles

Ce produit utilise une méthode de fusion multicapteurs pour repérer les obstacles à venir. Si une situation dangereuse se présente, le robot peut ralentir, s'arrêter et effectuer d'autres fonctions de contrôle de la survitesse et d'évitement des obstacles de manière autonome, et émettre un avertissement sonore.

Si la trajectoire du robot est obstruée et qu'il ne peut pas éviter l'obstacle, et que les avertissements sonores et lumineux continuent, veuillez appuyer sur l'interrupteur d'arrêt d'urgence pour déplacer le robot ou supprimer l'obstacle.

■ Notifications visuelles et acoustiques

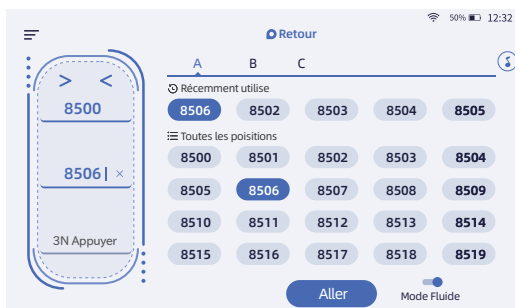
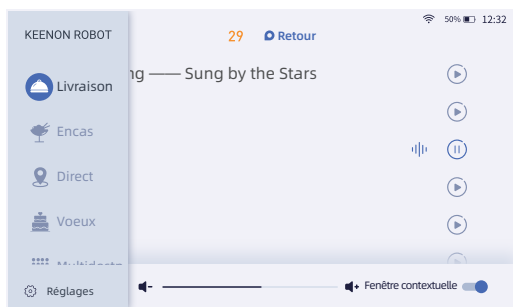
	Lampe du pilier	Lampe de la tête	Luminosité ambiante
Collision	Clignotement jaune	Rouge fixe	Rouge fixe
Perte (perte d'étiquettes)	Clignotement jaune	Bleu fixe	Bleu fixe
Arrêt d'urgence	Clignotement jaune	Rouge fixe	Rouge fixe
En mouvement	Bleu rythmique	Bleu fixe	Bleu fixe
Orientation	Bleu rythmique	Bleu fluide (du côté de la direction du mouvement)	Bleu fixe

4.4 Sélection du mode

Le robot dispose de cinq modes pour différents scénarios : Mode Livraison, Mode Livraison d'encas, Mode Multidestination, Mode Livraison directe et Mode Anniversaire.

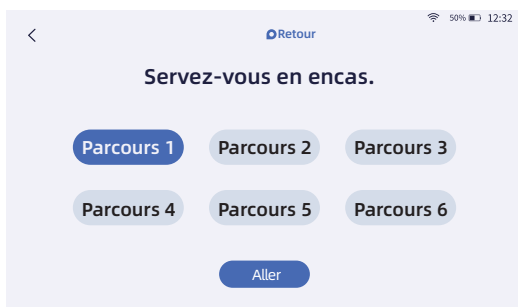
☑ Mode Livraison

En mode Livraison, le robot peut livrer des aliments à plusieurs tables en un seul voyage. Une fois que les plats commandés par les différents clients sont placés sur les plateaux et que les numéros de table sont saisis, le robot planifie automatiquement le meilleur parcours pour la livraison la plus rapide.



☑ Mode Livraison d'encas

En mode Livraison d'encas, le robot circule le long d'un chemin prédéterminé avec des boissons en libre-service, des desserts ou du matériel promotionnel et invite, par la voix ou l'écran, les clients à goûter les aliments ou à prendre des échantillons.



☑ Mode Livraison directe

En mode Livraison directe, le robot se tient prêt au point de retrait et sert n'importe quelle table selon les instructions. Après la livraison, il attend la tâche suivante au lieu de revenir automatiquement. Ce mode est principalement utilisé dans les services de restauration à emporter et autres scénarios similaires.





☑ Mode Surprise

En mode Surprise, le robot peut jouer des chansons pour célébrer l'anniversaire du client ou d'autres fêtes après son arrivée à la destination spécifiée. Les vœux peuvent être personnalisés, comme "Joyeux anniversaire à ****", ce qui permet aux clients de recevoir les meilleurs vœux et des surprises agréables.



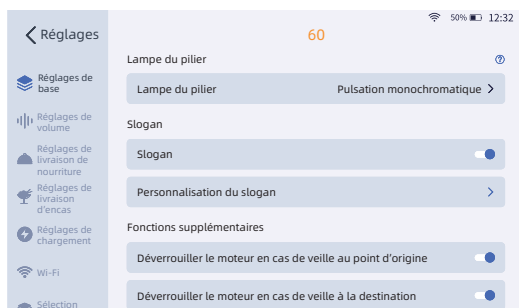
Mode Multidestination

En mode Multidestination, qui est similaire au mode Livraison d'encas, il est possible de sélectionner jusqu'à 20 numéros de table.



Fonction Slogan

La fonction Slogan peut être activée sur la page des paramètres. Activez la fonction Slogan sur la page des paramètres, et saisissez le texte à afficher en défilement. Par exemple, " Bienvenue à ...(le nom du magasin) ". Appuyez sur Enregistrer après avoir saisi le texte. Le slogan défile automatiquement sur l'écran du robot à la place des émoticônes. La fonction Slogan n'affecte pas le mouvement du robot, peu importe le mode.



■ Mode Livraison

Le mode Livraison est couramment utilisé pour livrer des aliments à la table spécifiée en suivant les étapes suivantes:

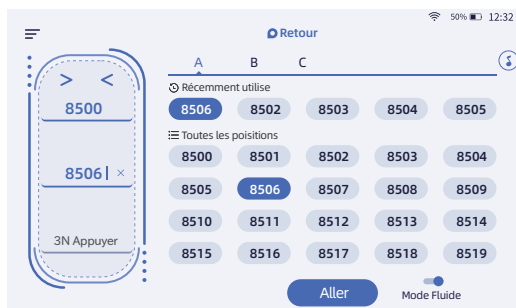
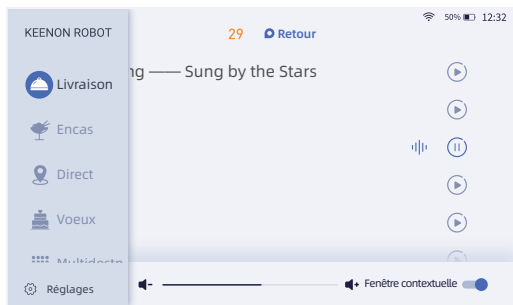
- ① Sélectionnez le mode Livraison sur l'emplacement de ramassage.
- ② Placez les plats sur les plateaux (un plateau pour une seule table).
- ③ Appuyez sur le plateau avec les plats sur l'écran et saisissez le numéro de la table de destination.
- ④ Après avoir saisi le numéro de la table, appuyez sur Start Delivery (Commencer la livraison) pour que le robot commence la tâche.
- ⑤ Le robot arrive rapidement à la destination en suivant le chemin prédéterminé. Pendant la livraison, vous pouvez toucher la commande Stop (Arrêt) sur l'écran du robot pour le mettre immédiatement en pause.
- ⑥ Lorsque la tâche de livraison est mise en pause pendant 30 secondes (30

secondes par défaut et 5 minutes au maximum), vous pouvez adresser différentes commandes au robot (modifier la tâche, terminer la tâche en cours, terminer toutes les tâches) pendant ce laps de temps ; si aucune commande n'est donnée sur l'écran tactile dans le temps imparti, le robot poursuit ses tâches.

⑦ Après être arrivé à destination, le robot vous avertit par la voix (voici votre nourriture).

⑧ Après avoir tapé pour confirmer, le robot effectue la tâche suivante ou retourne à l'emplacement de ramassage et attend une nouvelle tâche.

⑨ En vérifiant le parcours du robot dans la tâche précédente, vous pouvez trouver la destination.



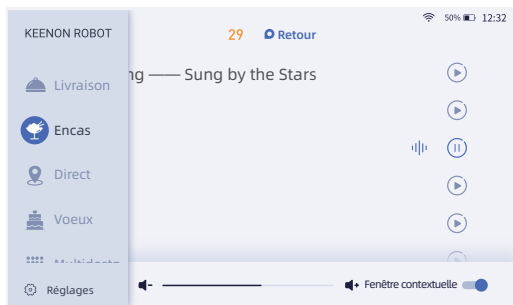


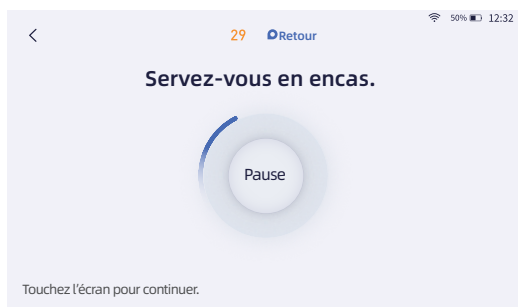
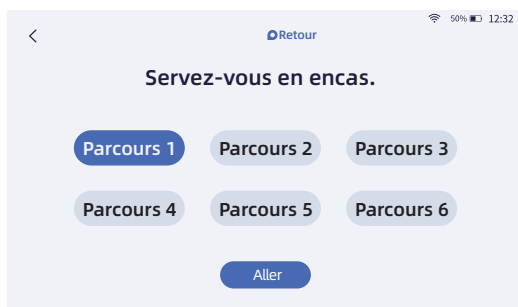


■ Mode Livraison d'encas

Le mode Livraison d'encas est un mode couramment utilisé au cours duquel le robot se déplace dans un environnement spécifique sur une grande surface, en suivant les étapes suivantes:

- ① Sélectionnez le mode Livraison d'encas sur l'emplacement de ramassage.
- ② Sélectionnez un parcours planifié.
- ③ Touchez pour confirmer, et le robot commence la tâche.
- ④ Le robot émet une annonce vocale pendant la livraison, rappelant aux clients de retirer les encas. Touchez la commande Stop (Arrêt) sur l'écran du robot pour mettre immédiatement le robot en pause pendant la livraison des encas. Si le robot ne reçoit pas de nouvelle commande dans les 5 secondes, il poursuit sa tâche.
- ⑤ Pour prendre les encas, placez-vous devant le robot ou touchez son écran, il s'arrêtera immédiatement et l'écran affichera que le robot est en pause afin que les clients puissent se servir.

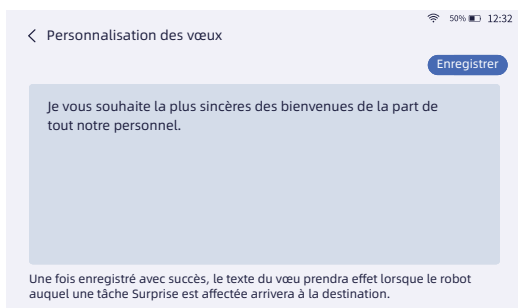




■ Mode Surprise

Le mode de livraison de snacks est conçu pour procurer aux clients d'agréables surprises, comme indiqué dans les étapes suivantes :

- ① Sélectionnez le Mode Surprise sur le lieu de livraison.
- ② Allez sur la page du Mode Surprise et appuyez sur Sélection du texte dans le coin inférieur gauche.
- ③ Entrez le texte de félicitations, sélectionnez la musique, et appuyez sur Enregistrer.
- ④ Sélectionnez le numéro de la table de destination et appuyez sur Démarrer.
- ⑤ Après l'arrivée du robot à la destination, il jouera automatiquement de la musique et fera défiler le texte des vœux sur l'écran.





5. Maintenance du robot

5.1 Maintenance

■ Robot

① Avant d'essuyer la poussière sur le robot, assurez-vous que l'adaptateur est débranché de la prise et l'adaptateur du robot.

② Nettoyez tous les jours le capteur LiDAR, la caméra RVB-D et le module d'image supérieur avec un chiffon en microfibre.

* Les chiffons en microfibre ne sont pas fournis. Veuillez préparer les vôtres.

③ Après utilisation du robot, nettoyez la saleté à l'aide d'un chiffon doux et humide, puis essuyez complètement le robot avec un chiffon sec.

④ Utilisez de l'éthanol désinfectant pour désinfecter l'extérieur du robot. Ne vaporisez pas de liquide directement sur le robot. Utilisez un chiffon imbibé de désinfectant pour nettoyer le robot.

⑤ Vérifiez et nettoyez régulièrement le dessous du robot tous les six mois.

⑥ La machine doit être inspectée et nettoyée au niveau des équipements et fonctions de sécurité (tels que la fonction d'arrêt d'urgence, la fonction d'évitement des obstacles, les avertissements sonores et lumineux, etc.) **tous les 6 mois**. Une semaine avant la date d'expiration, la machine cessera de fonctionner et un rappel s'affichera pour indiquer qu'une maintenance est nécessaire. Après avoir vu ce rappel, veuillez contacter un technicien de maintenance après-vente pour une inspection et une maintenance sur site dès que possible. Évitez de perturber le fonctionnement normal de la machine.

⑦ Il est nécessaire de vérifier l'environnement dans lequel le robot évolue chaque jour, comme la pente et la planéité du sol, si les étiquettes de navigation sont complètes, et si les équipements d'éclairage sur place sont vieux ou endommagés.

Il faut également vérifier si l'intensité lumineuse environnante est comprise entre 300~20000lux.

⑧ S'il y a des taches d'eau ou d'huile sur la machine ou sur le sol, veuillez les nettoyer à temps.

■ Roue motrice et roue directrice

① Retirez les poils et la poussière collés sur la roue.

② Pour nettoyer les roues motrices, retirez-les du robot et essuyez-les avec un chiffon humide.

③ Si le robot est sale, placez-le sur le côté sur une surface souple et nettoyez-le avec un chiffon imbibé de détergent neutre.

* Portez des gants lors du démontage du robot pour éviter toute blessure.

■ En ce qui concerne le bloc de batteries, il est nécessaire de contacter l'usine pour la maintenance et le remplacement après-vente.

5.2 Soins du corps du robot

■ Assurez-vous de mettre le robot hors tension et de charger la batterie après utilisation.

① Mettez le robot hors tension pour le ranger lorsque vous ne l'utilisez pas.

② Rangez le robot dans un endroit où il ne gênera pas l'accès aux portes coupe-feu, aux escaliers ou aux équipements de lutte contre l'incendie.

③ Rangez toujours le robot dans un endroit sec et exempt d'humidité.

5.3 Déplacement et manipulation du robot

Soulevez ou poussez le robot à deux mains.

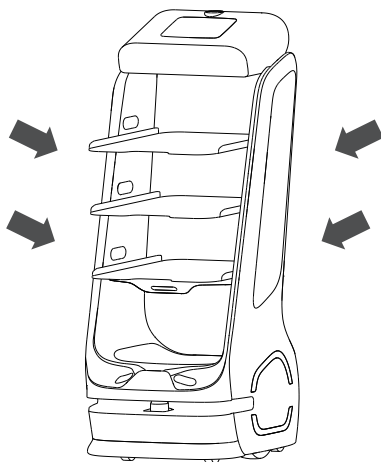
■ Pour soulever et déplacer le robot

Saisissez le robot sur les côtés avec les deux mains et soulevez la machine (flèche sur la photo) en la maintenant en position verticale.

■ Pour pousser et déplacer le robot

Utilisez vos deux mains pour pousser sur les côtés du robot (positions marquées par des flèches dans le schéma ci-dessous).

* Ne pas tirer sur la partie inférieure du robot, inclinez-le d'abord, soulevez le plateau ou la fente à côté du LiDAR, ou tirez sur sa partie avant ou supérieure. Sinon, vous risquez d'endommager le robot.



5.4 Transport

Pendant le transport, suivez le sens de la flèche indiquée sur la boîte, ne la posez pas à plat et ne la renversez pas.

Lorsque vous déballez la machine, veuillez la maintenir dans la direction indiquée par la boîte, enlevez la courroie d'emballage, retirez la boîte extérieure de bas en haut, retirez le tableau de remplissage et transportez la machine à l'endroit désigné, conformément à la méthode décrite au point 5.3.

5.5 Mise au rebut

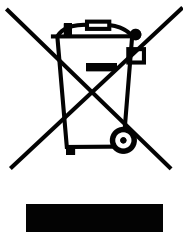
La mise au rebut des appareils électroniques peut polluer l'environnement ; veuillez vous référer à la politique de recyclage des déchets de votre pays avant de mettre l'appareil au rebut.

Ce produit contient des blocs de batteries contenant des substances dangereuses. Veuillez contacter un professionnel pour le recyclage. Ce produit est conçu et fabriqué avec des matériaux et composants recyclables et de grande qualité.

Lorsque vous mettez ce produit au rebut, veillez à ce qu'il le soit de manière appropriée, en tant que déchet industriel différencié des déchets

ordinaires et commerciaux, conformément aux réglementations régionales et municipales, en soumettant votre demande à un opérateur de traitement des déchets industriels.

* Si vous bénéficiez du produit en location, vous ne pouvez pas le mettre au rebut vous-même. Contactez le service clientèle. Lorsque vous mettez la machine au rebut, retirez sa batterie et procédez à une mise au rebut appropriée et conforme aux réglementations relatives à la mise au rebut des déchets qui s'appliquent dans la région où vous vous trouvez.

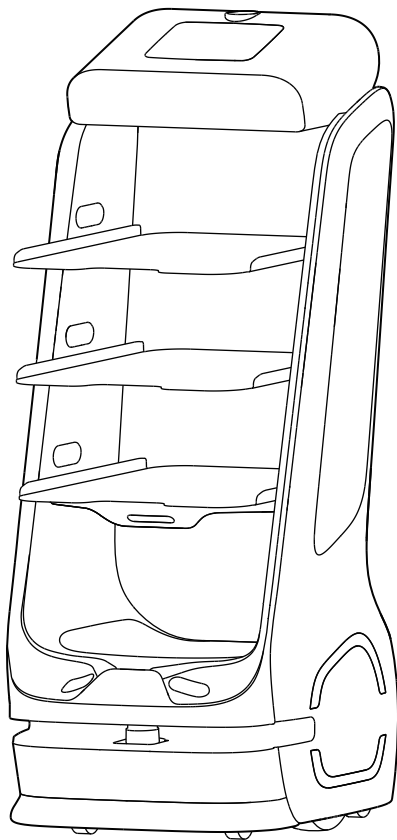


6. Dépannage

En cas de problème, veuillez vous reporter aux solutions ci-dessous.

Problème	Solution
Impossible de mettre le robot sous tension	<p>① Lorsque la batterie est faible, chargez le robot avec l'adaptateur d'alimentation.</p> <p>② Si le problème persiste, veuillez contacter le service clientèle.</p>
Le robot ne bouge pas	<p>① Appuyez sur le bouton d'arrêt, déplacez manuellement le marqueur à un endroit bien visible, relâchez le bouton d'arrêt, puis vérifiez si le robot se déplace à nouveau.</p> <p>② Si le problème persiste après l'opération ①, éteignez l'interrupteur principal, remettez-le en marche lorsque le robot se trouve à un endroit où le marqueur est facilement visible par celui-ci et réessayez.</p> <p>③ Si le problème persiste, veuillez contacter le service clientèle.</p>
La navigation ne fonctionne pas	<p>① Si le robot se trouve hors de la carte, éteignez l'interrupteur principal, déplacez le robot près du point de départ, puis redémarrez la navigation.</p> <p>② Assurez-vous que le module d'affichage n'est pas recouvert de tissu ou de tout autre objet. Retirez la poussière, le cas échéant.</p>
Le robot n'émet aucun(e) voix ou son	<p>① S'il n'y a ni voix ni son, ou si le volume est trop faible, réglez ce dernier.</p> <p>② Si le problème persiste, veuillez contacter le service clientèle.</p>
Le robot ne fonctionne pas normalement	<p>Éteignez l'interrupteur principal et contactez le service clientèle.</p>

Benutzerhandbuch zum intelligenten Servierroboter
Keenbot T5 Pro von Keenon



Deutsch

Keenon Robotics Co.,Ltd.
BEWAHREN SIE DIESE ANLEITUNG ZUM SPÄTEREN NACHSCHLAGEN AUF

■Hinweis:

Copyright © 2022 Keenon Robotics Co., Ltd. Alle Rechte vorbehalten.

Das vorliegende Dokument darf ohne schriftliche Genehmigung von Keenon Robotics Co., Ltd. weder ganz noch teilweise von Personen oder Unternehmen zu kommerziellen Zwecken vervielfältigt, reproduziert, transkribiert, übersetzt oder in irgendeiner Form oder mit irgendwelchen Mitteln (elektronisch, durch Fotokopie, Aufzeichnung usw.) übertragen werden.

Die in diesem Handbuch aufgeführten Technischen Daten und Angaben zum Produkt dienen nur als Referenz und können ohne vorherige Ankündigung geändert werden. Dieses Benutzerhandbuch ist nur als Orientierungshilfe gedacht, sofern nichts anderes angegeben ist.

Inhalt

Einführung	130
-------------------	-----

Sicherheitsanweisungen	130
-------------------------------	-----

Zu den Sicherheitsanweisungen	130
-------------------------------	-----

Symbolbeschreibung	131
--------------------	-----

Beschreibung der grafischen Symbole	132
-------------------------------------	-----

Produktspezifikationen	138
-------------------------------	-----

Erscheinungsbild und Bestandteile	138
-----------------------------------	-----

Technische Daten	139
------------------	-----

Bedienung	140
------------------	-----

Aufladen	140
----------	-----

Ein- und Ausschalten	142
----------------------	-----

Drücken der Stoptaste	143
-----------------------	-----

Betriebsarten	145
---------------	-----

Wartung des Roboters	156
-----------------------------	-----

Wartung	156
---------	-----

Pflege des Robotergehäuses	157
----------------------------	-----

Verschieben und Handhabung des Roboters	157
---	-----

Transport	158
-----------	-----

Entsorgung	158
------------	-----

Fehlersuche	160
--------------------	-----

1. Einführung

Keenbot T5 Pro, entwickelt von Keenon Robotics, ist ein Lieferroboter mit der Funktion, das Personal in Restaurants, Hotels, Gasthäusern und Einzelhandelsgeschäften zu unterstützen.

2. Sicherheitsanweisungen

2.1 Zu den Sicherheitsanweisungen

Bevor Sie den Roboter benutzen, sollten Sie die Sicherheitshinweise im Keenbot T5 Pro Benutzerhandbuch (im Folgenden "das Handbuch" genannt) vollständig verstehen und beachten. Die aufgeführten Vorsichtsmaßnahmen sollen Personen- und Sachschäden vermeiden. Bitte handeln Sie immer umsichtig.

Keenon Robotics haftet nicht für Schadensersatzansprüche gegenüber dem Benutzer oder Dritten aufgrund von Fehlfunktion, Fehlbedienung, Problemen usw. des Roboters oder des Netzteils.

Das Handbuch erläutert Sicherheitsmaßnahmen für den Einsatz des Roboters und des Netzteils, korrekte Arbeitsabläufe und weitere Rechtsvorschriften. Die Vorsichtsmaßnahmen im Handbuch decken nicht alle denkbaren Fälle ab. Die Sicherheit der Betreiber, Fußgänger und anderer Personen in der Nähe hat unter allen Umständen Vorrang (z. B. wenn der Roboter nicht normal arbeitet oder kippt). Bei Installation und Einsatz des Roboters sollten Sie stets auf die Vorsichtsmaßnahmen achten und das Handbuch leicht zugänglich aufbewahren.

Dieses Produkt kann in allen EU-Mitgliedsstaaten verwendet werden.




	AT	BE	BG	HR	CY	CZ	DK
	EE	FI	FR	DE	EL	HU	IE
	IT	LV	LT	LU	MT	NL	PL
	PT	RO	SK	SI	ES	SE	UK

Keenon Robotics Corp. Co., LTD erklärt hiermit, dass die Geräte entsprechen den folgenden Richtlinien:

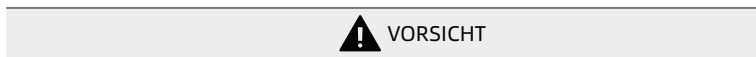
Applied Directive	Applied Standards
MD Directive 2006/42/EC	EN ISO 13482:2014 EN 62368-1:2014+A11:2017 EN ISO 12100:2010
RE Directive 2014/53/EU	EN 301489-1 V2.2.3 EN 301 489-19 V2.2.0 EN 301 489-52 V1.1.2 EN 301489-17 V3.2.4 EN IEC 62311:2020 EN 300 328 V2.2.2 EN 301511 V12.5.1 EN 301908-1 V13.1.1 EN 301908-2 V13.1.1 EN 301908-13 V13.1.1 ETSI EN 303413 V1.2.1
EMC Directive 2014/30/EU	EN 61000-3-3: 2013+A1:2019 EN IEC 55014-1: 2021 EN IEC 55014-2: 2021 EN IEC 61000-3-2:2019+A1: 2021
RoHS Directive(2011/65/EU)	Pb, Hg, Cd, Cr (VI), PBB, PBDE, DEHP, BBP, DBP, DIBP according to standard IEC 62321-1: 2013, IEC 62321-2: 2013, IEC 62321-3-1: 2013, IEC 62321-4: 2013+A1: 2017, IEC 62321-5: 2013, IEC 62321-6: 2015, IEC 62321-7-1: 2015, IEC 62321-7-2: 2017 & ISO 17075-1: 2017, IEC 62321-8: 2017
WEEE Directive 2012/19/EU	
REACH(EC) No 1907/2006	SVCH 224 Annex XVII

2.2 Symbolbeschreibung

Die folgenden Symbolkategorien erläutern Verletzungsrisiko oder Schadensausmaß aufgrund von Nichtbeachtung von Warnhinweisen und Fehlbenutzung des Roboters oder Zubehörs. Bevor Sie dieses Handbuch lesen, sollten Sie sich mit den folgenden Symbolen vollständig vertraut machen.

 WARNUNG	<p>Die WARNUNG-Symbole warnen vor gefährlichen Vorgängen, die zu Erblindung, Verletzungen, Verbrennungen (bei hohen oder niedrigen Temperaturen), Stromschlägen, Knochenbrüchen, Vergiftungen usw. mit Langzeitfolgen führen können, die einen Krankenhausaufenthalt oder eine langfristige Behandlung erfordern.</p>
 VORSICHT	<p>Die VORSICHT-Symbole weisen darauf hin, dass die Nichtbeachtung dieser Vorsichtsmaßnahmen zu Verletzungen, Verbrennungen, Stromschlägen usw. führen kann. Ein Krankenhausaufenthalt oder eine langfristige stationäre Behandlung ist jedoch nicht erforderlich.</p>
 HINWEIS	<p>Die HINWEIS-Symbole weisen darauf hin, dass bei Nichtbeachtung der Vorsichtsmaßnahmen Sachschäden entstehen können.</p>

2.3 Beschreibung der grafischen Symbole



■ **Nutzen, laden oder lagern Sie den Roboter und das Ladegerät nicht im Bereich hoher Temperaturen** (in der Nähe von Funken oder Flammen, dicht an Heizungen, im direkten Sonnenlicht, in einem Auto bei heißem Wetter usw.), **an warmen Orten oder an Orten mit Wärmestau** (z. B. unter Heizkörpern, Heizdecken). **Sorgen Sie für eine gute Belüftung und decken Sie den Roboter und das Ladegerät nicht mit Stoffen ab.**

■ **Setzen Sie den Roboter aus Sicherheitsgründen nicht unter den folgenden Umständen ein:**

① **Der Roboter darf nicht in staubiger, sandiger, schneebedeckter, eisiger, feuchter oder salzhaltiger Umgebung eingesetzt werden** (z.B. an Meer und Küste).

der Roboter ist nur für Innenräume ausgelegt. Wird er im Freien eingesetzt, kann es aufgrund natürlicher und anderer unerwarteter Einflüsse zu Fehlfunktion, Zerstörung oder Beschädigung von Bauteilen und umliegenden Objekten kommen. Andernfalls besteht die Gefahr, dass es zu Verletzungen,

Fehlfunktionen oder Beschädigung von umliegenden Objekten kommt.

- ② **Bereiche mit Stufen ab 0,5 cm** (z. B. raue Oberfläche).
- ③ **Abschüssige Stellen.**
- ④ **Kinderspielbereich.**
- ⑤ **Bereiche mit reflektierenden oder transparenten Objekten** (wie automatischen Türen, Fenstern, Spiegeln, Acrylplatten usw.).
- ⑥ **Schwarz geklebte** (mit extrem geringem Reflexionsvermögen) **Oberflächen oder mit ähnlichen Gegenständen befestigte Flächen.**
- ⑦ **In der Nähe von Treppen oder Rolltreppen.**
- ⑧ **Im Freien.**
- ⑨ **Orte mit starker Sonneneinstrahlung** wie z. B. in Fensternähe.
- ⑩ **Bereiche in der Nähe von Infrarotgeräten** wie automatischen Türen.
- ⑪ **Der Fahrkorridor sollte mindestens 70 cm breit sein, damit der Roboter passieren kann. Ein Fahrkorridor mit einer Breite von mindestens 1,5 m gestattet zwei Robotern, aneinander vorbei zu fahren, andernfalls weichen sie einander aus.**

■ **Keine Dekorationsgegenstände auf dem Roboter aufstellen, da ihn und seinen Kontaktbildschirm behindern können.**

■ **Den Roboter nicht schieben, wenn die Spannung eingeschaltet wird.**

■ **Den Roboter nicht auf Treppen, unebenen Böden** (z. B. Mosaikfliesen und Teppiche mit einer Florlänge von mehr als 1 cm), **Rampen oder nassen Böden betreiben.**

Andernfalls funktionieren LiDAR-Sensor, RGB-D-Kamera bzw. Bildmodulkamera möglicherweise nicht korrekt und der Roboter kann kippen oder herunterfallen und Personen- und Sachschäden verursachen.

■ **Den vom Roboter genutzten Korridor immer sauberhalten.**

Wenn der Roboter über kleine Hindernisse wie heruntergefallenes Besteck fährt, können Artikel auf der Ablage herunterfallen und Personen- oder Sachschäden verursachen oder den Roboter unbrauchbar machen.

■ **Dieser radgestützte Roboter ist für den Einsatz in Innenräumen auf ebenen Flächen vorgesehen** (glatte Flächen mit einer Neigung von weniger als 5 Grad und Unebenheiten von weniger als 1 cm). **Setzen Sie ihn nicht im Freien** (z. B. auf offenen Balkonen), **auf unebenem Boden** (z. B. auf Treppen) **und anderen fremden Umgebungen ein.**

■ **Zum Aufladen nur das Originalladegerät und das beigelegte Netzkabel einsetzen.**

■ **Den Roboter nicht schieben, wenn die Spannung eingeschaltet ist.**

■ **Das Ladegerät darf nicht in staub- oder salzhaltigen Umgebungen, in der Nähe von ätzenden Gasen oder von brennbaren Stoffen eingesetzt werden.**

Andernfalls kann es zu Bränden, Verletzungen, Stromschlägen, Beschädigungen, Fehlfunktionen, Überhitzung, Leckagen oder Brüchen kommen. Außer dem Netzkabel keine Strom- oder Spannungsquelle mit nassen Händen anfassen.

■ **Keine beschädigten Ladegeräte oder Netzkabel einsetzen.**

■ **Das Ladegerät ist auf die Seite zu legen. Es darf nicht aufrecht oder auf dem Kopf stehend eingesetzt werden.**

■ **Vor der Wartung oder wenn das Ladegerät längere Zeit nicht benutzt wird, das Netzkabel aus der Steckdose ziehen.**

■ **Wenn das Netzkabel am Ladegerät steckt, dürfen Sie nicht darauf treten oder an ihm ziehen. Beim Aufladen darf das Ladegerät nicht über längere Zeit berührt werden.**

■ **Das Ladegerät nicht fallen lassen und nicht darauf treten, auch wenn es nicht angeschlossen ist. Wenden Sie keine übermäßige Kraft an, wie z. B. das Ablegen von schweren Objekten oder das Aufstampfen auf das Gerät.**

■ **Den Roboter nur in Innenräumen aufladen. Niemals im Freien, z. B. auf der Straße, einsetzen.**

■ **Keine Akkus, Netzteile oder Ladesäulen von Dritten einsetzen. Demontieren, reparieren oder ändern Sie die Akkus oder Ladegeräte nicht ohne Genehmigung.**

■ **Auf dem Roboter darf nicht gekocht (z. B. gebacken oder gegrillt) werden.**

Andernfalls kann es zu Bränden, Verletzungen, Stromschlägen, Beschädigungen, Fehlfunktionen, Überhitzung, Leckagen oder Brüchen kommen.

■ **Kein Wasser auf den Roboter spritzen.**

Der Roboter ist zwar staub- und tropfsicher gestaltet, aber nicht vollständig wasserdicht. Wischen Sie verschüttete Flüssigkeiten aus der Ablage sofort mit einem weichen, trockenen Tuch ab und lassen Sie die Ablage an der Luft trocknen. Eindringende Flüssigkeit oder Aufladen unter Feuchte kann zu Überhitzung, Stromschlag, Bränden, Verletzungen oder Fehlfunktionen führen.

■ **Flüssigkeiten wie Getränke usw. vom Inneren des Roboters fernhalten.**

■ **Keine Artikel auf den Roboter stellen, die die Höhe der Ablage überschreiten und die Sensoren behindern.**

Andernfalls kann es zu Fehlfunktionen oder Schäden an umliegenden Objekten führen.

■ **Keine Artikel auf den Roboter stellen, die die Traglast der Ablage überschreiten.**

Dies kann zu Verletzungen, Fehlfunktionen, Schäden an umliegenden Objekten oder zur Unbrauchbarkeit des Roboters führen.

① **Ladekapazität bei der Verwendung von 3 Fächern: Je 10 kg** (insgesamt 40 kg).

② **Ladekapazität, wenn nur das Fach auf der 4. Ebene** (das untere Fach) verwendet wird: 15kg.

■ **Entfernen Sie keine Artikel aus der Ablage, während sich der Roboter bewegt.** Andernfalls können Artikel aus der Ablage fallen oder umliegende Objekte beschädigt werden.

■ **Lassen Sie Lebensmittel nicht unbeaufsichtigt oder außer Reichweite, damit die Hygiene gesichert ist.**

■ **Geschirr und Tablett dürfen nicht größer sein als die Ablage des Roboters.** Andernfalls können sie die Sensoren behindern und Fehlfunktionen verursachen.

■ **Setzen Sie den Roboter nicht in einer Pflegeeinrichtung oder in der Nähe von medizinischen Elektrogeräten ein.**

■ **Für den europäischen Markt:**

Dieses Gerät kann von Kindern ab 8 Jahren und Personen mit verringerten körperlichen, sensorischen oder geistigen Fähigkeiten oder unzureichender Erfahrung und Wissen verwendet werden, wenn sie Aufsicht oder Anweisungen zur sicheren Verwendung des Geräts erhalten haben und mit den damit verbundenen Gefahren vertraut sind. Kinder dürfen nicht mit dem Gerät spielen. Reinigung und Wartung durch den Benutzer dürfen nicht durch Kinder ohne Aufsicht durchgeführt werden.


■ **Für den nicht-europäischen Markt:**

Dieses Gerät ist nicht für die Verwendung durch Personen (einschließlich Kindern) mit verringerten körperlichen, sensorischen oder mentalen Fähigkeiten oder unzureichender Erfahrung und Wissen vorgesehen, wenn sie nicht Aufsicht oder Anweisungen zum Gebrauch des Geräts durch eine Person, die für die Sicherheit zuständig ist, erhalten haben.

Kinder müssen überwacht werden, um sicherzugehen, dass sie nicht mit dem Gerät spielen.

■ **Der Akku darf vom Benutzer nicht ausgetauscht werden.**

- Wenn Sie den Akku separat aufbewahren: Verwenden Sie bitte ein spezielles Ladegerät, um ihn jeden Monat 2 Stunden lang aufzuladen.
- Laden Sie den Roboter in unbewohnten, geschlossenen oder nur für Wartungstechniker zugänglichen Räumen auf.
- Bitte achten Sie auf Ihre Haustiere und lassen Sie sie nicht um den Roboter herumlaufen.
- Verwenden Sie Ihr Gerät nicht in einer feuchten Umgebung.
- Die Ladetemperatur des Akkus sollte bei 10 °C bis 40 °C liegen.
- Setzen Sie Ihr Gerät keinen Bereichen mit brennbaren oder explosionsgefährdeten Materialien aus.
- Stellen Sie Ihr Gerät nicht an, wenn die Verwendung verboten ist.
- Aus Sicherheitsgründen darf der Fahrer das Gerät nicht benutzen, während das Auto in Bewegung ist.
- Reinigen Sie das Gerät mit einem trockenen, weichen Tuch; verwenden Sie weder Wasser, Alkohol, Reinigungsmittel oder andere Chemikalien.
- Halten Sie den Geräteakku und das Ladegerät außer Reichweite von Kindern, damit diese es nicht verschlucken oder sich versehentlich verletzen. Kinder dürfen das Gerät nur verwenden, wenn ein Erwachsener in der Nähe ist.
- Beachten Sie alle Regeln und Richtlinien, die für mobile Produkte in Krankenhäusern und Gesundheitseinrichtungen gelten.
- Nur den Akku verwenden, der dem Produkt beiliegt.
- ⚠ Blicken Sie nicht zu lange auf die Leuchtquelle (höchstens 100s).

 HINWEIS

- Das Handbuch sollte vor der Erstinbetriebnahme genauestens zur Kenntnis genommen werden.
- ■ Betrieb und Bewegung des Roboters sowie Wartungsarbeiten dürfen nur erfolgen, wenn das Netzteil aus der Steckdose gezogen ist.
- Kippen Sie den Roboter nicht und lassen Sie ihn nicht fallen, wenn Sie ihn bewegen oder handhaben.
Andernfalls besteht die Gefahr von Bränden, Verletzungen, Stromschlägen,

Beschädigungen, Fehlfunktionen, Überhitzung, Leckagen, chemischen Explosionen oder Schäden am Roboter oder am Ladegerät.

■ **Beim Servieren heißer oder instabiler Gerichte** (z. B. ein Getränk in einem Glas oder Suppe in einer Schüssel) **testen Sie vorab, ob dabei keine Flüssigkeit verschüttet oder heraustropft wird.**

■ **Wenn Sie schwere Objekte oder mehrere Teller auf die Ablage stellen, ordnen Sie sie in der Mitte an, damit die Stabilität gewahrt bleibt.**

Andernfalls kann es zu Fehlfunktionen, zum Verschütten von Flüssigkeit oder zum Herunterfallen von Gerichten kommen.

■ **Beim Servieren schwerer Objekte stellen Sie diese auf die unteren Ablagen und lassen Sie den Roboter auf einer ebenen Fläche laufen.**

Andernfalls kann es zum Verschütten oder zur Beschädigung umliegender Objekte kommen.

■ **Achten Sie beim Einsatz des Roboters darauf, dass die Räder stets den Boden berühren.**

Andernfalls kann es zu Fehlfunktionen oder Schäden an umliegenden Objekten führen.

■ **Vergewissern Sie sich, dass der Bediener sofort auf jede unerwartete Situation reagieren kann, während der Roboter sich bewegt.**

Bei Anzeichen von Gefahr drücken Sie die Stopptaste. Andernfalls kann es zu Personen- oder Sachschäden kommen.

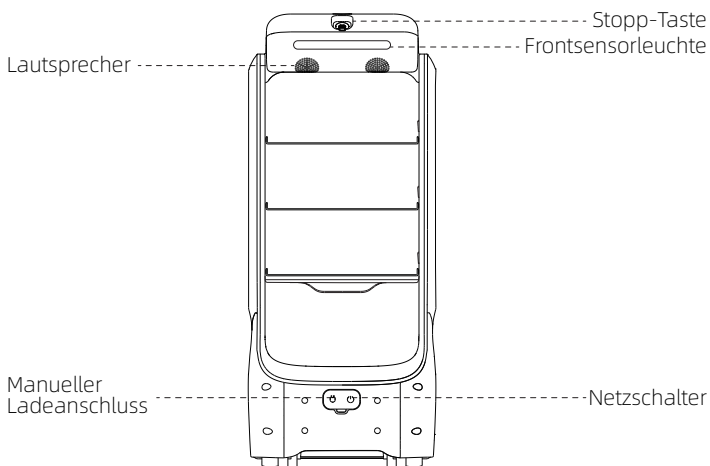
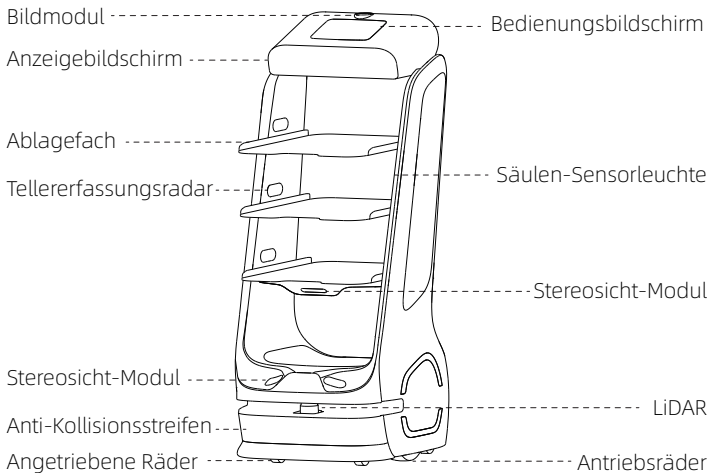
■ **Setzen Sie den Roboter in einem Temperaturbereich von 0 °C bis 40 °C und einer Luftfeuchtigkeit von 5 % bis 85 % ein. Lagern Sie den Roboter an einem trockenen und staubfreien Ort, an dem ein Temperaturbereich von -30 °C bis 60 °C und eine Luftfeuchtigkeit von 10 % bis 90 % vorliegt.**

Andernfalls besteht die Gefahr von Bränden, Verletzungen, Stromschlägen, Beschädigungen, Fehlfunktionen, Überhitzung, Leckagen, chemischen Explosionen oder andere Schäden am Roboter oder am Ladegerät.

■ **Bei wesentlichen Änderungen der Innenraumumgebung** (z. B. Renovierung, Einsatz des Roboters an einem neuen Ort, Neuordnung von Artikeln in Innenräumen wie Zielen, Stühlen und Tischen) **ist eine neue Lageplanerstellung erforderlich.**

3. Produktspezifikationen

3.1 Erscheinungsbild und Bestandteile



3.2 Technische Daten

Artikel	Technische Daten
Modell	Keenon T5 Pro
Roboter Abmessungen (LxBxH)	506mm×502mm×1205mm
Abmessungen der Ablage (LxBxH)	Erste Ablage: 486mm×384mm×186mm Weitere Ablagen: 486mm×384mm×166mm
Robotergewicht (ohne Ladestation)	61.5Kg
Maximale Tragfähigkeit pro Ablage	10Kg
Max. Fahrgeschwindigkeit	0.9m/s
Netzwerkanschluss	WiFi, 4G
Akku-Kapazität	48V Gleichstrom 12Ah
Nennleistung	50W
Bereitschaftsstrom	Ruhestrom < 1.5 A
Akku-Lebensdauer	10~12h
Lebensdauer	20000h
Betriebstemperatur/Feuchte	Temperatur: 0°C~ 40°C, Feuchte: 5% ~ 85%
Helligkeit	Innen 300 ~ 20000Lux
Betriebsumgebung	Trockene Innenraumumgebung, ebener und glatter Boden
Lagerumgebung	Temperatur: -30°C~ 60°C, bis zu einer Höhe von 1000 m

4. Bedienung

4.1 Aufladen

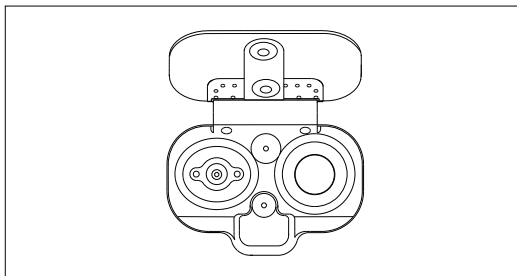
☑ Laden Sie den Roboter vollständig auf, wenn Sie ihn zum ersten Mal einsetzen oder der Akku unter 20 % liegt.

* Der Ladevorgang ist beendet, wenn die Netzteilanzeige auf grün schaltet.

☑ Setzen Sie den Roboter während des Ladevorgangs nicht ein.

☑ Falls er über einen längeren Zeitraum nicht benutzt wird, laden Sie den Roboter alle zwei Monate vollständig auf.

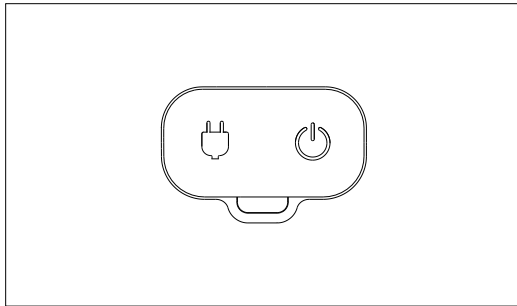
■ Öffnen Sie die Gummiabdeckung des manuellen Ladeanschlusses auf der Rückseite des Roboters und schließen Sie an diesem das Netzteil an.



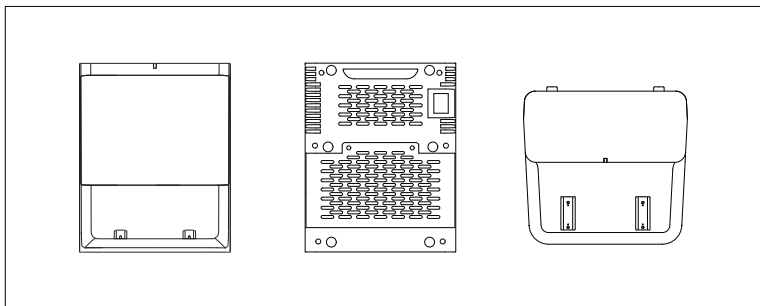
■ Die Netzteilanzeige wird rot, wenn der Ladevorgang beginnt. Berühren Sie den Bildschirm und schalten Sie auf den Ladebildschirm um, der zeigt, dass der Ladevorgang läuft.



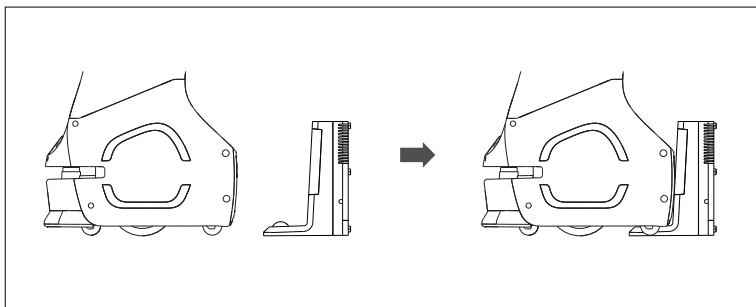
- Ziehen Sie das Netzteil ab und schließen Sie die Gummiabdeckung.



Die folgende Abbildung zeigt den Aufbau der Ladesäule für einen Servierroboter mit mehreren Ablagen:



Laden Sie den Roboter in einem freien Bereich, an einem geschlossenen Platz oder in einem Raum auf, der nur für Wartungspersonal zugänglich ist. Der Roboter besitzt eine intelligente Funktion zum automatischen Aufladen. Er sucht selbsttätig die passende Ladesäule zum automatischen Aufladen auf, wenn sein Akku auf 5 % sinkt oder er manuell zum Aufladen geschickt wird.



4.2 Ein- und Ausschalten

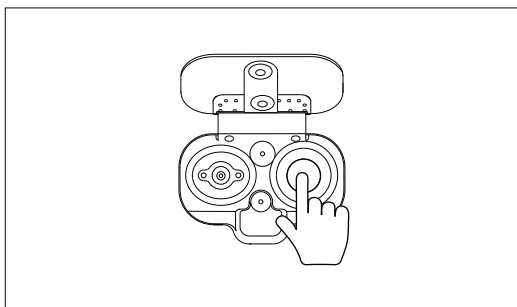
Der Hauptschalter befindet sich auf der Rückseite des Roboters, rechts unter der Gummiabdeckung.

■ Power einschalten

Drücken Sie den Hauptschalter einmal, um den Roboter einzuschalten. Er braucht ca. 40s zum Anlaufen.

■ Power ausschalten

Drücken Sie den Hauptschalter einmal, um den Roboter auszuschalten, genau wie beim Einschalten.

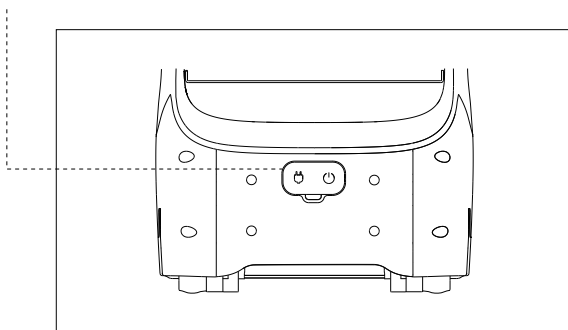


4.3 Drücken der Stoptaste

Unter den folgenden Bedingungen kann der Roboter durch Drücken der Stoptaste angehalten werden:

- ☑ Den Roboter manuell versetzen, während er in Betrieb ist.
- ☑ Wenn der Roboter nicht normal funktioniert (er bewegt sich z. B. in eine andere Richtung als angegeben) und droht, Schäden zu verursachen.

Hinweis: Öffnen Sie die Silikonabdeckung unter dem Fahrgestell und schalten Sie den Roboter mit der roten Taste rechts ein.



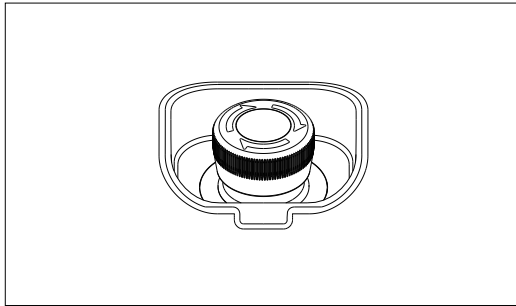
■ Handhabung in Notfällen

Wenn der Roboter nicht korrekt funktioniert oder ein anderer gefährlicher Notfall eintritt, können Sie ihn durch Drücken des Notausschalters auf der Oberseite anhalten.

Position und Betrieb des Notausschalters:

Wenn der Roboter in den Normalbetrieb zurückgekehrt ist, drehen Sie den Notausschalter leicht in die oben auf ihm bezeichnete Richtung.

Hinweis: Wenn der Notausschalter auf einem Gefälle gedrückt wird, veranlasst die kinetische Energie den Roboter zum Weiterrollen. Das kann zu Verletzungen führen.



■ Hindernisvermeidungsschutz

Das Produkt verwendet ein Multisensor-Fusionsverfahren, um Hindernisse vor dem Gerät zu erkennen. In gefährlichen Situationen kann der Roboter durch seine eigene Einschätzung verlangsamen, anhalten und andere Funktionen zur Geschwindigkeitsüberschreitung und Hindernisvermeidung ausführen und einen Warnton ausgeben.

Ist der Weg blockiert und der Roboter kann dem Hindernis nicht ausweichen, und die akustischen und optischen Warnsignale bleiben bestehen, drücken Sie bitte den Notausschalter, um den Roboter wegzubewegen oder das Hindernis zu entfernen.

■ Visuelle und akustische Signale

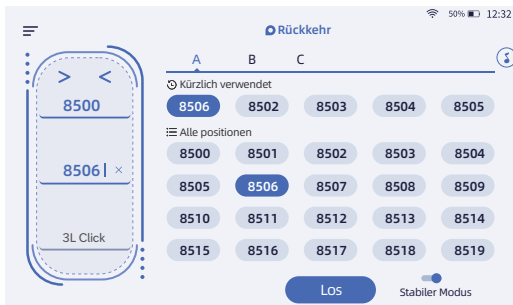
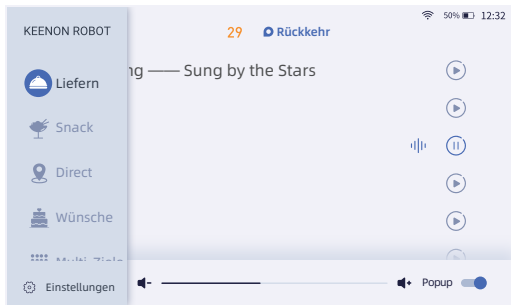
	Leuchte Seitenteil	Frontleuchte	Ambiente-Licht
Kollision	Gelb blinkend	Dauerlicht rot	Dauerlicht rot
Verirrung (Verlust der Kennzeichnungen)	Gelb blinkend	Dauerlicht blau	Dauerlicht blau
Not-Aus	Gelb blinkend	Dauerlicht rot	Dauerlicht rot
In Bewegung	Rhythmisches Blinken blau	Dauerlicht blau	Dauerlicht blau
Richtung wechseln	Rhythmisches Blinken blau	Fließend blau (auf der Seite der Drehrichtung)	Dauerlicht blau

4.4 Betriebsarten

Der Roboter enthält fünf Betriebsarten für verschiedene Situationen: Serviermodus, Snackserviermodus, Mehrere Ziele, Direktserviermodus und Geburtstagsmodus.

☑ Serviermodus

Im Serviermodus kann der Roboter mehrere Tische auf einer Fahrt bedienen. Sobald die von verschiedenen Kunden bestellten Gedecke auf die Ablagen gestellt und die Tischnummern eingegeben sind, berechnet der Roboter automatisch die beste Streckenführung zum Servieren.



☑ Snackserviermodus

Im Snackserviermodus fährt der Roboter mit Getränken, Desserts oder Werbematerial einen vorgegebenen Kurs entlang und lädt die Kunden per Sprachausgabe oder Bildschirmanzeige zum Probieren von Speisen oder zur Probenentnahme ein.



☑ Direktserviermodus

Der Roboter wartet am Abholpunkt und bedient nach Anweisung jeden Tisch. Nach der Servierung wartet er auf die nächste Aufgabe, statt automatisch zurückzukehren. Diese Betriebsart wird meist im Straßenverkauf und ähnlichen Situationen eingesetzt.





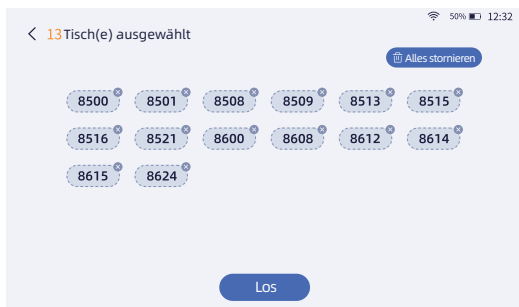
🎁 Überraschungsmodus

Der Überraschungsmodus lässt den Roboter Lieder zum Geburtstag des Kunden oder zu anderen Feiertagen abspielen, nachdem er am angegebenen Ziel angekommen ist. Die Wünsche können individuell angepasst werden, wie z. B. "Happy Birthday to ***", um den Kunden die besten Wünsche und angenehme Überraschungen zu bereiten.



☑ Mehrere Ziele

In der Betriebsart „Mehrere Ziele“, die dem Snackserviermodus ähnelt, können bis zu 20 Tischnummern ausgewählt werden.



☑ Slogan-Funktion

Die Slogan-Funktion kann auf der Einstellungsseite aktiviert werden. Schalten Sie die Slogan-Funktion in den Einstellungen ein, und geben Sie den Text für die Laufschrift ein. Zum Beispiel: "Willkommen bei ...(Name des Geschäfts)". Tippen Sie nach der Eingabe des Textes auf Speichern. Der Slogan wird automatisch auf dem Roboterbildschirm anstelle von Emoticons angezeigt. Die Slogan-Funktion hat keinen Einfluss auf die Bewegung des Roboters in irgendeinem Modus.



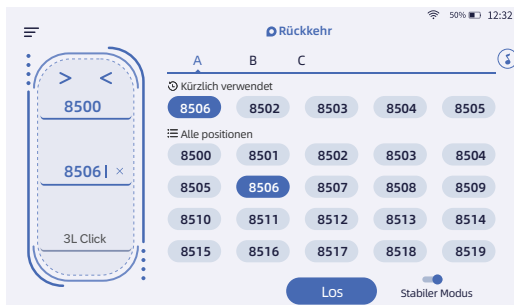
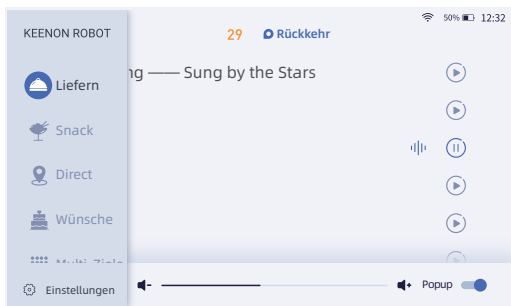
■ Serviermodus

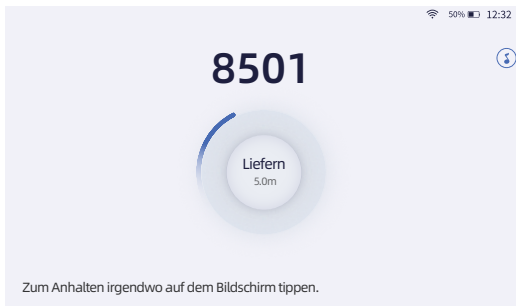
Der Serviermodus soll in der Regel in den folgenden Schritten Speisen an den angegebenen Tisch bringen:

- ① Legen Sie den Serviermodus an der Abholstelle fest.
- ② Stellen Sie die Gerichte auf die Ablagen (nur eine Ablage je Tisch).
- ③ Wählen Sie diese Ablage auf dem Bildschirm aus und geben Sie die Tischnummer ein.
- ④ Danach tippen Sie auf „Servieren beginnen“, damit der Roboter seine Aufgabe ausführt.
- ⑤ Der Roboter erreicht das Ziel entlang des vorgegebenen Weges schnell. Während des Servierens können Sie auf seinem Bildschirm den Befehl „Stopp“ antippen, um ihn sofort anzuhalten.
- ⑥ Wenn die Aufgabe für 30 s unterbrochen wird (Standardwert: 30 s, Höchstwert: 5

min), können Sie dem Roboter innerhalb dieser Zeit verschiedene Befehle geben (Aufgabe abändern, aktuelle Aufgabe beenden, alle Aufgaben beenden). Wenn innerhalb der eingestellten Zeit kein Befehl auf dem Touchscreen eingegeben wird, fährt der Roboter mit seinen Aufgaben fort.

- ⑦ Nach der Ankunft am Zielort sagt der Roboter: „Hier ist Ihr Essen“.
- ⑧ Nach der Bestätigung durch Antippen führt der Roboter die nächste Aufgabe aus oder kehrt zur Abholstelle zurück und wartet auf eine neue Aufgabe.
- ⑨ Durch Kontrolle der Route in der vorherigen Aufgabe können Sie sein Ziel finden.





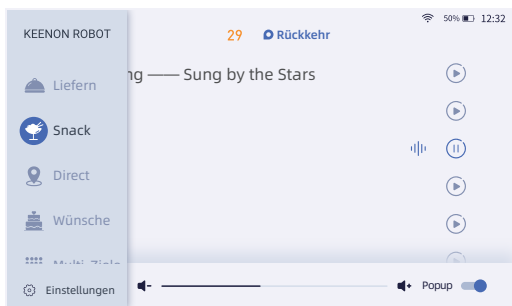
Deutsch



■ Snackserviermodus

Der Snackserviermodus wird häufig verwendet. Der Roboter führt in folgenden Schritten einen bestimmten großflächigen Bereich ab:

- ① Wählen Sie den Snackserviermodus an der Abholstelle.
- ② Wählen Sie eine geplante Route.
- ③ Tippen Sie zur Bestätigung den Bildschirm an, und der Roboter beginnt mit der Ausführung.
- ④ Der Roboter fordert unterwegs per Sprachausgabe die Kunden auf, sich Snacks zu nehmen. Tippen Sie auf dem Roboterbildschirm auf den Befehl „Stopp“, um den Roboter beim Anbieten von Snacks sofort anzuhalten. Wenn der Roboter innerhalb von 5 s keinen neuen Befehl erhält, fährt er mit seinen Aufgaben fort.
- ⑤ Zum Ausschuchen der Snacks stellen Sie sich vor den Roboter oder berühren Sie seinen Bildschirm, er unterbricht sofort seine Fahrt und zeigt auf dem Bildschirm die Pause an, damit die Kunden sich selbst bedienen können.

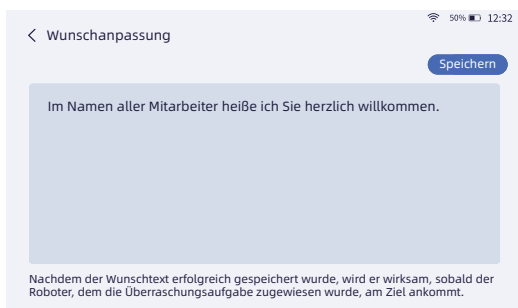




■ Überraschungsmodus

Der Snack-Liefermodus wurde entwickelt, um Kunden angenehme Überraschungen zu bieten, wie in den folgenden Schritten gezeigt wird:

- ① Wählen Sie den Überraschungsmodus am Abholort.
- ② Gehen Sie auf die Seite "Überschungsmodus" und tippen Sie auf "Textauswahl" in der unteren linken Ecke.
- ③ Geben Sie den Segenstext ein, wählen Sie die Musik aus und tippen Sie auf Speichern.
- ④ Wählen Sie die Nummer des Zieltisches und tippen Sie auf Start.
- ⑤ Nachdem der Roboter am Zielort angekommen ist, spielt er automatisch Musik und lässt den Wunschtext auf dem Bildschirm durchlaufen.





5. Wartung des Roboters

5.1 Wartung

■ Roboter

① Vor dem Staubwischen sollte das Netzteil von Steckdose und Roboter getrennt werden.

② Reinigen Sie LiDAR-Sensor, RGB-D-Kamera und oberes Bildmodul täglich mit einem Mikrofasertuch.

* Mikrofasertücher sind nicht im Lieferumfang enthalten. Halten Sie bitte ein eigenes bereit.

③ Nach Gebrauch entfernen Sie Schmutz mit einem weichen, feuchten Tuch und wischen den Roboter mit einem anderen Tuch vollständig trocken.

④ Mit Desinfektionsethanol desinfizieren Sie die Außenseite des Roboters. Sprühen Sie die Flüssigkeit nicht direkt auf den Roboter. Zum Reinigen dient ein mit dem Desinfektionsmittel angefeuchtetes Tuch.

⑤ Kontrollieren und reinigen Sie die Unterseite regelmäßig alle sechs Monate.

⑥ Die Maschine muss alle 6 Monate sicherheitsrelevante Ausrüstungen überprüfen und reinigen und Sicherheitsfunktionen durchführen (z. B. Not-Aus-Funktion, Hindernisvermeidungsfunktion, akustischer und optischer Alarm usw.). Eine Woche vor dem Ablaufdatum stellt das Gerät den Betrieb ein und zeigt eine Erinnerung an, dass eine Wartung erforderlich ist. Nachdem Sie die Erinnerung gesehen haben, wenden Sie sich bitte an einen qualifizierten Kundendienst für eine rechtzeitige Inspektion und Wartung vor Ort. Vermeiden Sie eine Beeinträchtigung des Normalbetriebs des Geräts.

⑦ Es ist notwendig, die Einsatzumgebung des Roboters jeden Tag zu überprüfen, wie z. B. die Neigung und Ebenheit des Bodens, ob die Navigationsschilder vollständig sind und ob die Beleuchtungseinrichtungen vor Ort veraltet oder beschädigt sind, ob die Umgebungslichtintensität im Bereich von 300~20000lux liegt.

⑧ Wenn Wasser- oder Ölflecken auf der Maschine oder dem Boden vorhanden sind, reinigen Sie diese bitte rechtzeitig.

■ Antriebsrad und angetriebenes Rad

① Entfernen Sie die am Rad haftenden Haare und den Staub.

② Zum Reinigen der angetriebenen Räder nehmen Sie diese vom Roboter

ab und wischen sie mit einem feuchten Tuch ab.

③ Bei Verschmutzung legen Sie den Roboter auf einer weichen Unterlage auf die Seite und reinigen ihn mit einem mit neutralem Reinigungsmittel angefeuchteten Tuch.

* Zur Vermeidung von Verletzungen tragen Sie beim Zerlegen des Roboters Handschuhe.

■ Für eine Wartung und einen Austausch des Akkupacks muss das Werk kontaktiert werden.

5.2 Pflege des Robotergehäuses

■ Nach Gebrauch wird der Roboter ausgeschaltet und der Akku aufgeladen.

① Schalten Sie den Roboter zur Lagerung aus, wenn er nicht benutzt wird.

② Stellen Sie ihn an einem Ort auf, an dem er den Zugang zu Brandschutztüren, Treppen oder Feuerlöschgerät nicht versperrt.

③ Lagern Sie ihn immer in feuchtigkeitsarmen Räumen.

5.3 Verschieben und Handhabung des Roboters

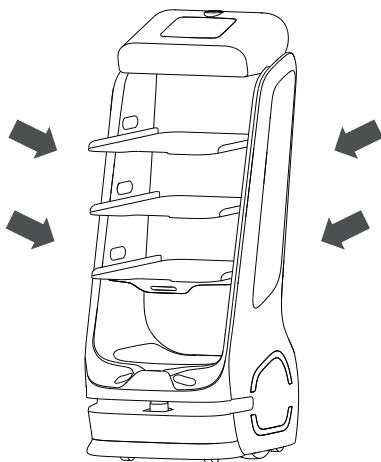
Heben oder schieben Sie den Roboter mit beiden Händen.

■ Anheben und Bewegen des Roboters

Greifen Sie die Seiten mit beiden Händen und heben Sie die Maschine an (Pfeil im Bild), während Sie eine aufrechte Position beibehalten.

■ Schieben und Bewegen des Roboters

Bewegen Sie den Roboter mit beiden Händen, indem Sie auf die Seiten drücken (die durch die Pfeile in der Abbildung unten markierten Positionen). Ziehen Sie nicht an der Unterseite des Roboters, kippen Sie ihn nicht, heben Sie nicht das Blech oder den Schlitz neben dem LiDAR an, und ziehen Sie nicht an seiner Vorderseite oder Oberseite. Andernfalls kann der Roboter beschädigt werden.



5.4 Transport

Beim Transport folgen Sie bitte der Pfeilrichtung auf dem Karton, legen Sie ihn nicht flach und kippen Sie ihn nicht aus.

Wenn Sie das Gerät auspacken, halten Sie es bitte in der auf dem Karton angegebenen Richtung, entfernen Sie das Verpackungsband, nehmen Sie den Umkarton von unten nach oben ab, entfernen Sie das Befüllungsdiagramm und transportieren Sie das Gerät gemäß Verfahrensweise in 5.3 an den vorgesehenen Ort.

5.5 Entsorgung

Das Wegwerfen elektronischer Geräte ist umweltschädlich; bitte informieren Sie sich vor dem Wegwerfen über die örtlichen Vorschriften für das Recycling von Abfällen.

Dieses Produkt enthält Batterien, die gefährliche Stoffe enthalten. Bitte wenden Sie sich für das Recycling an Fachpersonal.

Dieses Produkt wurde mit wiederverwendbaren, hochwertigen Materialien und Komponenten entworfen.

Wenn Sie das Produkt entsorgen, achten Sie darauf, dass es bei der Entsorgung als Industrieabfall getrennt von allgemeinem oder

Geschäftsmüll nach regionalen oder örtlichen Richtlinien auf Verlangen eines Entsorgungsmitarbeiters für Industrieabfall wird.

* Wenn das Produkt geleast wird, darf es nicht von Ihnen entsorgt werden. Wenden Sie sich an den Kundendienst. Wenn Sie die Maschine entsorgen, entfernen Sie den Akku aus dem Gerät und entsorgen Sie es gemäß den Richtlinien zur Abfallentsorgung in dem Gebiet, in dem Sie sich befinden.

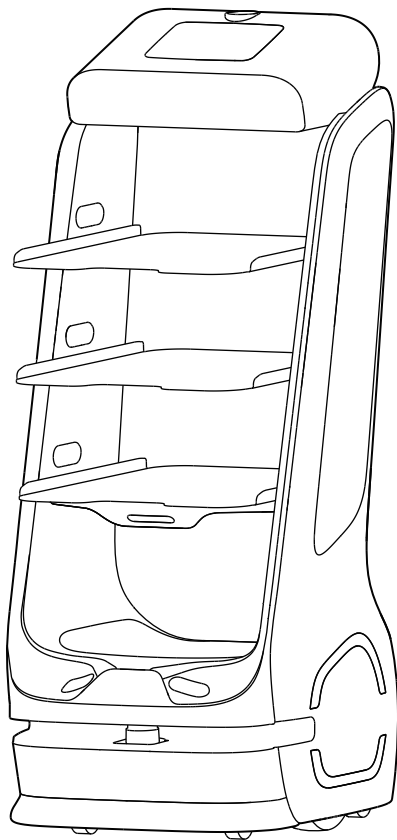


6. Fehlersuche

Bei Problemen lesen Sie bitte die folgenden Lösungsvorschläge nach.

Problem	Lösung
Der Roboter lässt sich nicht einschalten	<ol style="list-style-type: none"> ① Wenn der Akku schwach ist, laden Sie den Roboter mit dem Netzteil auf. ② Wenn das Problem weiterhin besteht, fragen Sie den Kundendienst.
Der Roboter bewegt sich nicht	<ol style="list-style-type: none"> ① Drücken Sie die Stopptaste, versetzen Sie den nächstgelegenen Marker manuell an eine gut wahrnehmbare Stelle, geben Sie die Stopptaste frei und kontrollieren Sie dann, ob sich der Roboter wieder bewegt. ② Wenn das Problem nach dem Vorgang ① weiterhin besteht, schalten Sie den Netzschalter aus, schalten Sie ihn wieder ein, wenn der Roboter an einer Stelle steht, an der der Marker für ihn gut wahrnehmbar ist, und versuchen Sie es erneut. ③ Wenn das Problem weiterhin besteht, fragen Sie den Kundendienst.
Die Navigation ist nicht in Betrieb	<ol style="list-style-type: none"> ① Wenn der Roboter den Lageplan verlassen hat, schalten Sie den Netzschalter aus, versetzen Sie den Roboter in die Nähe des Ausgangspunkts und starten Sie die Navigation neu. ② Das Anzeigemodul darf nicht von Stoffen oder anderen Objekten abgedeckt sein. Entfernen Sie eventuellen Staub.
Der Roboter gibt keinen Ton von sich	<ol style="list-style-type: none"> ① Wenn Sie nichts hören, weil vielleicht die Lautstärke zu niedrig ist, regeln Sie die Lautstärke hoch. ② Wenn das Problem weiterhin besteht, fragen Sie den Kundendienst.
Der Roboter funktioniert nicht normal	Schalten Sie den Netzschalter aus und fragen Sie den Kundendienst.

Manual de usuario del robot de reparto inteligente Keenon
Keenon T5 Pro



Español

■ **Aviso:**

Copyright © 2022 Keenon Robotics Co., Ltd. Todos los derechos reservados.

Este documento no se puede copiar, reproducir, transcribir o traducir, parcial o totalmente, por parte de ninguna persona u organización, ni transmitir de ninguna forma ni por ningún medio (ya sean electrónicos, de fotocopia, grabación, etc.) para ningún fin comercial sin el permiso previo por escrito de Keenon Robotics Co., Ltd.

Las especificaciones del producto y la información mencionada en este documento sirven solo como referencia y están sujetas a cambios sin previo aviso. Salvo que se especifique lo contrario, este manual de usuario solo se debe utilizar como un conjunto de indicaciones para el uso.

Índice

Introducción	164
Instrucciones de seguridad	164
Acerca de las instrucciones de seguridad	164
Descripción de símbolos	165
Descripción de símbolos gráficos	166
Especificaciones del producto	172
Aspecto y componentes	172
Especificaciones	173
Funcionamiento	174
Carga del robot	174
Encendido/Apagado	176
Funcionamiento del botón de parada	177
Selección de modo	179
Mantenimiento del robot	190
Mantenimiento	190
Cuidado del robot	191
Desplazamiento y manipulación del robot	191
Transporte	192
Eliminación	192
Resolución de problemas	194

1. Introducción

Keenbot T5 Pro, desarrollado por Keenon Robotics, es un robot de servicio que colabora con el personal en restaurantes, hoteles, hostales y tiendas minoristas.

2. Instrucciones de seguridad

2.1 Acerca de las instrucciones de seguridad

Antes de utilizar el robot, sírvase leer detenidamente y observar las Instrucciones de seguridad descritas en el Manual del usuario del Keenbot T5 Pro (en adelante, "el manual"). El objetivo de las precauciones descritas en este documento es evitar lesiones a los usuarios y otros miembros del personal, así como pérdidas materiales. Le rogamos que preste atención siempre.

Keenon Robotics no se hace responsable por ningún daño al usuario o a terceros provocado por fallos de funcionamiento, uso incorrecto, problemas, etc. del robot o del adaptador de corriente.

En este manual se proporcionan precauciones de seguridad para usar el robot y el adaptador de corriente, procedimientos de manejo adecuados así como información reglamentaria. Las precauciones indicadas en este manual no abarcan todas las situaciones posibles. La seguridad de los operadores, los peatones y otras personas en las inmediaciones siempre es la prioridad principal en cualquier circunstancia (por ejemplo, si el robot no funciona con normalidad o vuelca). Preste siempre atención a las precauciones al instalar y utilizar el robot, y conserve este manual en un lugar accesible.

Este producto se puede utilizar en los Estados miembros de la UE.






AT	BE	BG	HR	CY	CZ	DK
EE	FI	FR	DE	EL	HU	IE
IT	LV	LT	LU	MT	NL	PL
PT	RO	SK	SI	ES	SE	UK

Aquí, keenon Robotics Corp. Co. Ltd declara
El equipo cumple las siguientes instrucciones:



Applied Directive	Applied Standards	
MD Directive 2006/42/EC	EN ISO 13482:2014 EN 62368-1:2014+A11:2017 EN ISO 12100:2010	
RE Directive 2014/53/EU	EN 301489-1 V2.2.3 EN 301 489-19 V2.2.0 EN 301 489-52 V1.1.2 EN 301489-17 V3.2.4 EN IEC 62311:2020 EN 300 328 V2.2.2	EN 301511 V12.5.1 EN 301908-1 V13.1.1 EN 301908-2 V13.1.1 EN 301908-13 V13.1.1 ETSI EN 303413 V1.2.1
EMC Directive 2014/30/EU	EN 61000-3-3: 2013+A1:2019 EN IEC 55014-1: 2021 EN IEC 55014-2: 2021 EN IEC 61000-3-2:2019+A1: 2021	
RoHS Directive(2011/65/EU)	Pb, Hg, Cd, Cr (VI), PBB, PBDE, DEHP, BBP, DBP, DIBP according to standard IEC 62321-1: 2013, IEC 62321-2: 2013, IEC 62321-3-1: 2013, IEC 62321-4: 2013+A1: 2017, IEC 62321-5: 2013, IEC 62321-6: 2015, IEC 62321-7-1: 2015, IEC 62321-7-2: 2017 & ISO 17075-1: 2017, IEC 62321-8: 2017	
WEEE Directive 2012/19/EU		
REACH(EC) No 1907/2006	SVCH 224 Annex XVII	

2.2 Descripción de símbolos

Las siguientes categorías de símbolos describen el alcance de las lesiones o daños provocados por no cumplir las advertencias y por el uso indebido del robot o del equipo relacionado. Asegúrese de comprender completamente los siguientes símbolos antes de leer este manual.

 ADVERTENCIA	<p>Los símbolos de ADVERTENCIA alertan a los usuarios de operaciones peligrosas que pueden provocar ceguera, lesiones, quemaduras (temperatura alta o baja), descargas eléctricas, fracturas óseas, envenenamiento, etc., con secuelas duraderas que requieran hospitalización a corto o largo plazo.</p>
 PRECAUCIÓN	<p>Los símbolos de PRECAUCIÓN indican que el incumplimiento de estas precauciones puede provocar lesiones, quemaduras, descargas eléctricas, etc. Sin embargo, no provocará hospitalización a corto o largo plazo.</p>
 NOTA	<p>Los símbolos de NOTA indican que el incumplimiento de las precauciones puede provocar desperfectos en viviendas y propiedades, y daños a ganado y mascotas.</p>

2.3 Descripción de símbolos gráficos

 ADVERTENCIA
 PRECAUCIÓN

■ **No utilice, cargue o almacene el robot y el cargador de batería en ubicaciones con temperaturas altas** (cerca de chispas o llamas, cerca de calentadores, bajo la luz solar directa, en el interior de un vehículo con temperaturas altas, etc.), **lugares cálidos o lugares donde se acumule calor** (por ejemplo, bajo radiadores o mantas eléctricas). **Asegure una ventilación adecuada y no cubra el robot ni el cargador de batería con telas.**

■ **Por motivos de seguridad, no utilice el robot en las siguientes circunstancias:**

① **No exponga el robot a un entorno con polvo excesivo, arena, nieve, hielo, agua, humedad, agua salada o niebla salina** (como entornos marítimos y costeros).

El robot está diseñado solo para el uso exclusivamente en interiores. El uso del robot en exteriores puede provocar un fallo de funcionamiento, la destrucción o daños en los componentes y los objetos circundantes debido a factores naturales y otras acciones inesperadas. De lo contrario, se pueden producir

lesiones, fallos de funcionamiento o daños en los objetos circundantes.

- ② Zonas con escalones de más de 0,5 cm (como superficies accidentadas).
- ③ Bajadas continuadas.
- ④ Zonas de juegos para los niños.
- ⑤ Zonas con objetos reflectantes o transparentes (como puertas automáticas, ventanas, espejos, paneles acrílicos, etc.).
- ⑥ Superficies con cinta negra (materiales con una reflectividad de la luz extremadamente baja) o zonas unidas con elementos similares.
- ⑦ Cerca de escaleras mecánicas o de otro tipo.
- ⑧ En exteriores.
- ⑨ Lugares con luz solar intensa, como zonas cerca de ventanas.
- ⑩ Zonas cerca de equipos de infrarrojos, como puertas automáticas.
- ⑪ Para que el robot pueda pasar, el pasillo debe ser de al menos 0,7 m.

Un pasillo con un ancho de más de 1,5 m permite el paso simultáneo de dos robots; de lo contrario, los robots atravesarán el pasillo de uno en uno.

■ No coloque adornos, ya que pueden impedir las operaciones del robot y la pantalla táctil.

■ No empuje el robot durante la activación.

■ No utilice el robot en zonas con escaleras, suelos irregulares (como baldosas en mosaico y alfombras con elevaciones de más de 1 cm), superficies inclinadas o suelos húmedos.

De lo contrario, es posible que el sensor LiDAR, la cámara RGB-D o la cámara del módulo de imagen no funcionen correctamente y que el robot pueda volcarse o caer y provocar lesiones a las personas o daños en los objetos circundantes.

■ Mantenga siempre despejado el pasillo que utiliza el robot.

Si el robot se desplaza sobre obstáculos u objetos pequeños como tenedores, cucharas y palillos, los artículos de las bandejas pueden caerse y provocar lesiones y fallos de funcionamiento, o bien inutilizar el robot.

■ Este robot con ruedas está diseñado para su uso en interiores sobre superficies planas (superficie lisa con una pendiente inferior a 5 grados y protuberancias de menos de 1 cm). No lo utilice en exteriores (como balcones abiertos), suelos irregulares (como escaleras) y otros entornos.

■ Al cargar el robot, utilice únicamente el cargador de batería original y el cable de alimentación especializados suministrados con el robot.

■ No empuje el robot cuando la alimentación esté activada.

■ No utilice el cargador de batería dentro o cerca de lugares con polvo, sal, gas corrosivo o sustancias inflamables.

De lo contrario, se pueden producir incendios, lesiones, descargas eléctricas, daños, fallos de funcionamiento, sobrecalentamiento, fugas o roturas. No toque fuentes de alimentación ni puntos de voltaje con las manos mojadas, salvo el cable del adaptador.

■ No utilice cargadores de batería ni cables de alimentación dañados.

■ El cargador de batería está diseñado para su colocación en el lateral. No lo utilice en posición vertical ni al revés.

■ Asegúrese de que el cable de alimentación está desconectado de la toma antes del mantenimiento o si el cargador de batería no se va a utilizar durante un periodo prolongado.

■ Si el cable de alimentación está conectado al cargador de batería, no pise el cable de alimentación ni ejerza una fuerza excesiva sobre él. No toque el cargador durante un periodo prolongado mientras se está cargando.

■ No deje caer el cargador ni lo pise, tanto si está conectado como si no lo está. No ejerza una fuerza excesiva sobre él, por ejemplo colocando objetos o pisándolo.

■ Cargue el robot únicamente en interiores. No lo utilice en exteriores, como por ejemplo en la calle.

■ No utilice baterías, adaptadores de corriente o pilas de carga de terceros. No desmonte, repare ni modifique la batería o la pila de carga sin autorización.

■ No cocine (como por ejemplo hornear y asar) sobre el robot.

De lo contrario, se pueden producir incendios, lesiones, descargas eléctricas, daños, fallos de funcionamiento, sobrecalentamiento, fugas o roturas.

■ No salpique el robot con agua.

Aunque el robot está diseñado para ser a prueba de polvo y salpicaduras, no es completamente impermeable. Si se derrama líquido de la bandeja, límpielo inmediatamente con un paño suave y seco y seque la bandeja. Si entra líquido en el robot o si se carga cuando está húmedo, se puede producir sobrecalentamiento, descargas eléctricas, fuego, lesiones o fallos de funcionamiento.

■ No permita que líquidos como bebidas u otros objetos extraños entren dentro del robot.

■ No coloque artículos que superen la altura de la bandeja y bloqueen los sensores de robot.

De lo contrario, se pueden producir fallos de funcionamiento o daños en los

objetos circundantes.

■ **No coloque artículos que superen la capacidad de carga de la bandeja.**

De lo contrario, se pueden producir lesiones, fallos de funcionamiento, daños en los objetos circundantes, o bien la inutilización del robot.

① **Capacidad de carga utilizando 3 bandejas: 10 kg cada una**(40 kg en total).

② **Capacidad de carga utilizando solamente la bandeja de la 4ª capa**(la bandeja inferior): **15 kg.**

■ **No retire artículos de una bandeja con el robot en movimiento.**

De lo contrario, los artículos podrían caerse de la bandeja o provocar daños en los objetos circundantes.

■ **Para garantizar la higiene de los alimentos, no deje alimentos desatendidos o fuera de alcance.**

■ **No utilice platos o vajillas que sean más grandes que la bandeja del robot.** De lo contrario, pueden bloquear los sensores y provocar un fallo de funcionamiento.

■ **No utilice el robot en entornos sanitarios o cerca de equipos electromédicos.**

■ **Para el mercado europeo:**

Este aparato está diseñado para que lo utilicen niños mayores de 8 años y personas con capacidades físicas, sensoriales o mentales reducidas o falta de experiencia y conocimientos si han recibido supervisión o instrucciones con respecto a cómo usar el aparato de manera segura y comprenden los peligros asociados. Los niños no deben jugar con el aparato. Los niños no deben realizar tareas de limpieza y mantenimiento del usuario sin supervisión.

■ **Para el mercado no europeo:**


Este aparato no está diseñado para que lo utilicen personas (incluidos niños) con capacidades físicas, sensoriales o mentales reducidas o falta de experiencia y conocimientos a menos que hayan recibido supervisión o instrucciones acerca del uso del aparato de una persona responsable de su seguridad.

Los niños deben estar supervisados para garantizar que no jueguen con el aparato.

■ **El usuario no puede sustituir el pack de la batería.**

■ **Si almacena la batería por separado: por favor, utilice un dispositivo de carga para cargarlo durante 2 horas cada mes.**

■ **Cargue el robot en zonas libres, espacios cerrados o espacios accesibles solo por técnicos de mantenimiento.**

- Preste atención a sus mascotas y no les deje corretear cerca del robot.
 - No utilice el dispositivo en un entorno húmedo.
 - La temperatura de carga de la batería debe estar entre 10 °C y 40 °C.
 - No exponga el dispositivo a zonas con sustancias inflamables o explosivas.
 - No encienda el dispositivo cuando el uso esté prohibido.
 - Para garantizar la seguridad de la conducción, el conductor no puede utilizar el dispositivo cuando el coche está en movimiento.
 - Utilice un paño suave y seco para limpiar el dispositivo; no utilice agua, alcohol, detergente ni productos químicos.
 - Mantenga la batería y el cargador del dispositivo fuera del alcance de los niños para evitar que los ingieran o que se hagan daño por accidente. Los niños solo deben usar el dispositivo bajo la supervisión de un adulto.
 - Respete todas las normas y reglamentos aplicables a productos móviles en hospitales y centros de atención médica.
 - Utilice solo la batería incluida con el producto.
-  No mire fijamente la fuente de luz durante demasiado tiempo (máximo de 100 segundos).

 **NOTA**

- El operador debe leer este manual y comprender completamente cómo usar el robot correctamente antes de utilizarlo.
- Asegúrese de que el adaptador está desconectado de la toma antes de manejar o mover el robot y realizar el mantenimiento.
- No vuelque ni deje caer el robot al moverlo o manipularlo. De lo contrario, se pueden producir incendios, lesiones, descargas eléctricas, daños, fallos de funcionamiento, sobrecalentamiento, fugas, explosiones químicas o daños en el robot o el cargador de batería.
- Al repartir platos calientes o inestables (como líquidos en un vaso y sopas en un cuenco), realice una prueba de antemano para garantizar que no haya derrames de líquido ni salpicaduras durante el funcionamiento.
- Al colocar objetos pesados o varios platos en la bandeja, colóquelos en

el centro para mantener la estabilidad.

De lo contrario, se pueden producir fallos de funcionamiento, derrames de líquido o caída de platos.

■ **Al repartir objetos pesados, colóquelos en las bandejas inferiores y asegúrese de que el robot se desplace por una superficie plana.**

De lo contrario, se pueden producir derrames de líquido o daños en los objetos circundantes durante el funcionamiento.

■ **Al utilizar el robot, mantenga siempre las ruedas en contacto con el suelo.**

De lo contrario, se pueden producir fallos de funcionamiento o daños en los objetos circundantes.

■ **Asegúrese de que el operador pueda responder de inmediato ante cualquier situación inesperada mientras el robot se desplace. Si sospecha que existe algún peligro, pulse el botón de parada.**

De lo contrario, se pueden producir lesiones al usuario o terceros, o daños en los objetos circundantes.

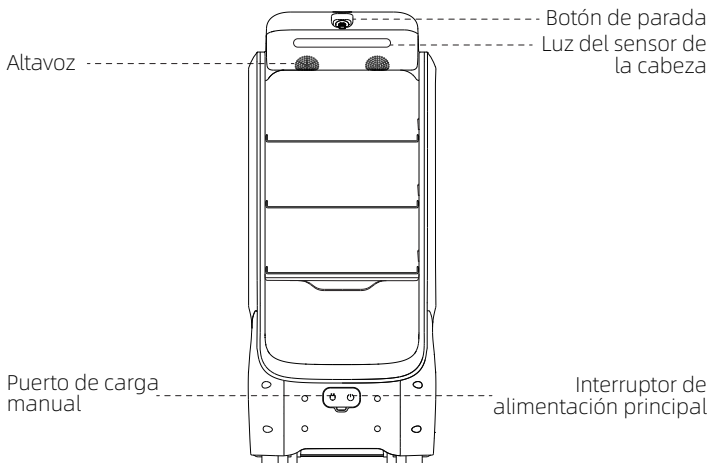
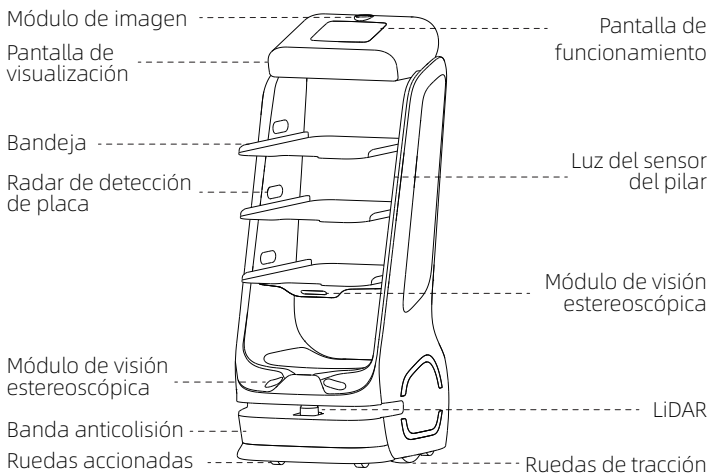
■ **Utilice el robot en un entorno con un intervalo de temperatura de 0 °C a 40 °C y un intervalo de humedad del 5 % al 85 %. Guarde el robot en un lugar seco y sin polvo con un intervalo de temperatura de -30 °C a 60 °C y un intervalo de humedad del 10 % al 90 %.**

De lo contrario, se pueden producir incendios, lesiones, descargas eléctricas, daños, fallos de funcionamiento, sobrecalentamiento, fugas, explosiones químicas u otros daños en el robot o el cargador de batería.

■ **En caso de cambios significativos en el entorno interior (como redecoración, uso del robot en una ubicación nueva, reorganización de los artículos del interior como destinos, sillas y mesas), es necesario realizar un nuevo trazado.**

3. Especificaciones del producto

3.1 Aspecto y componentes



3.2 Especificaciones

Elemento	Especificaciones
Modelo	Keenbot T5 Pro
Dimensiones del robot (LxAxH)	506mm×502mm×1205mm
Dimensiones de la bandeja (LxAxH)	La primera capa: 486mm×384mm×186mm Otras capas: 486mm×384mm×166mm
Peso del robot (sin incluir la pila de carga)	61.5Kg
Capacidad máxima por capa	10Kg
Velocidad máxima de desplazamiento	0.9m/s
Puerto de red	Wifi, 4G
Capacidad de la batería	48 V CC 12 Ah
Potencia nominal	50W
Corriente en reposo	Corriente en reposo < 1,5 A
Duración de la batería	10~12 h
Vida útil	20.000 h
Intervalo de temperatura /humedad de funcionamiento del robot	Temperatura: 0 °C~40 °C, humedad: 5 %~85 %
Brillo	Interiores: 300-20000 LUX
Entorno de trabajo	Interiores secos con suelo plano y liso
Entorno de almacenamiento	Temperatura: -30°C~60°C, por debajo de 1000 m de altitud

4. Funcionamiento

4.1 Carga del robot

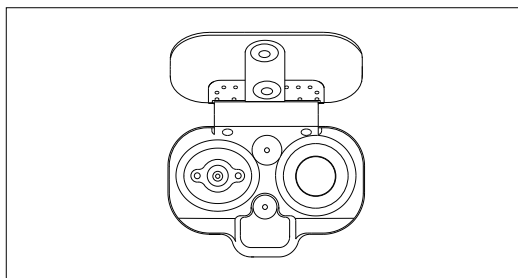
☑ Cargue completamente el robot al usarlo por primera vez o cuando el nivel de la batería esté por debajo del 20 %.

* La carga finaliza cuando el indicador del adaptador se vuelve verde.

☑ No utilice el robot durante la carga.

☑ Cargue el robot completamente cada dos meses si no se utiliza durante un periodo prolongado.

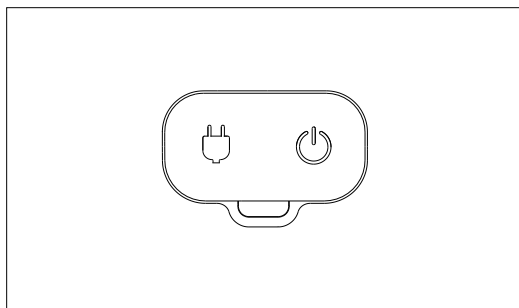
■ Abra la cubierta de goma del puerto de carga manual en la parte trasera del robot y conecte el adaptador al puerto de carga.



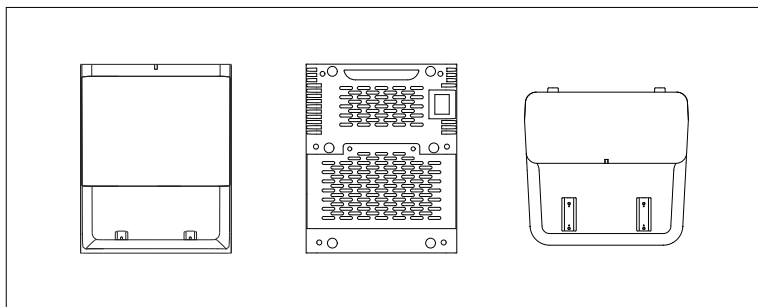
■ El indicador del adaptador se vuelve rojo cuando comienza la carga. Toque la pantalla y cambie a la pantalla de carga, que muestra que la carga está en curso.



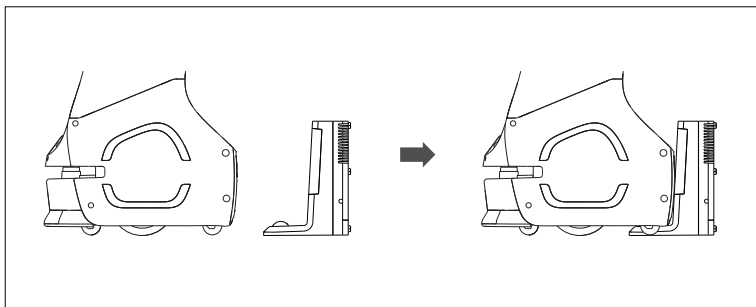
- Desconecte el adaptador de cierre y la cubierta de goma.



En la figura siguiente se muestra la estructura de la pila de carga para un robot de reparto de alimentos con varias capas:



Cargue el robot en zonas desocupadas, espacios cerrados o espacios a los que solo puedan acceder técnicos de mantenimiento. El robot cuenta con una función de carga automática inteligente. Localizará, establecerá la coincidencia y se conectará automáticamente a la pila de carga para cargarse automáticamente cuando su nivel de batería caiga por debajo del 5 % o se envíe para cargarse manualmente.



4.2 Encendido/Apagado

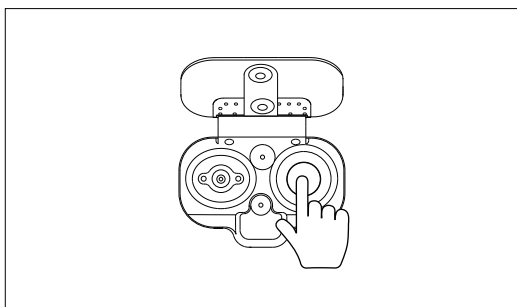
El interruptor principal está en la parte trasera del robot, en el lado derecho bajo la cubierta de goma.

■ Encendido

Pulse el interruptor principal una vez para encender el robot, proceso que tardará unos 40 segundos.

■ Apagado

Pulse el interruptor principal una vez para apagar el robot, siguiendo el mismo proceso que para encenderlo.

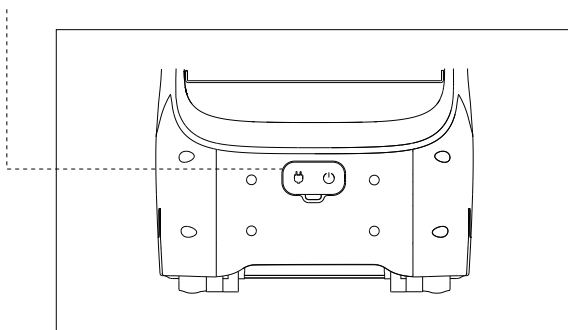


4.3 Funcionamiento del botón de parada

En las siguientes circunstancias, detenga el robot pulsando el botón de parada:

- ☑ Desplazamiento manual del robot mientras está funcionando.
- ☑ El robot no funciona con normalidad (por ejemplo, se mueve en una dirección diferente a la indicada) y puede provocar daños en el entorno circundante.

Nota: Abra la cubierta de silicona bajo el chasis y actívela pulsando el botón rojo de la derecha.



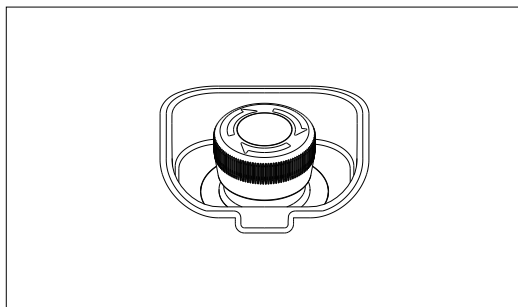
■ Manejo en caso de emergencia

Si el robot no funciona con normalidad o en caso de cualquier otra emergencia que suponga una amenaza en el entorno circundante, puede detener el robot pulsando el interruptor de parada de emergencia situado en la parte superior.

Posición y operación del interruptor de parada de emergencia:

Después de confirmar que el robot vuelve a la normalidad, gire suavemente el interruptor en la dirección indicada en el interruptor de parada de emergencia situado en la parte superior para que el robot reanude el funcionamiento normal.

Nota: Si el botón de parada de emergencia se pulsa en una pendiente, el robot liberará la energía cinética y continuará moviéndose debido a la inercia, lo que puede provocar lesiones.



■ Protección para evitar obstáculos

El producto utiliza un esquema de fusión de multi-sensores para juzgar los obstáculos que se presentan. Si se produce una situación peligrosa, el robot puede reducir la velocidad, detenerse y otras funciones de control del exceso de velocidad y de evitación de obstáculos mediante su propio juicio, y emitir un aviso sonoro.

Si el camino está bloqueado y el robot no puede evitar el obstáculo, y continúan los recordatorios sonoros y luminosos, pulse el interruptor de parada de emergencia para alejar el robot o retirar el obstáculo.

■ Indicadores visuales y acústicos

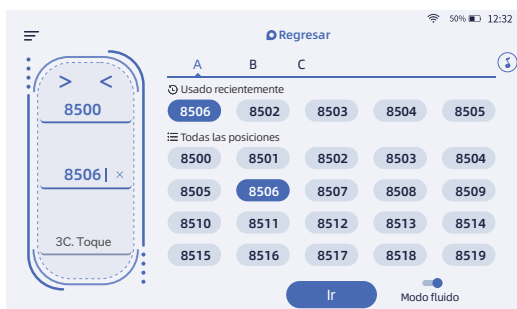
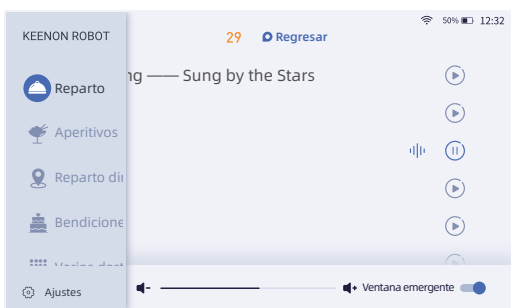
	Luz del pilar	Luz de la cabeza	Luz ambiental
Colisión	Amarillo parpadeante	Rojo continuo	Rojo continuo
Desorientación (etiquetas de desorientación)	Amarillo parpadeante	Azul continuo	Azul continuo
Parada de emergencia	Amarillo parpadeante	Rojo continuo	Rojo continuo
En movimiento	Azul rítmico	Azul continuo	Azul continuo
Dirección	Azul rítmico	Azul intermitente (del lado de la dirección de giro)	Azul continuo

4.4 Selección de modo

El robot incluye cinco modos para distintos escenarios: modo de reparto, modo de reparto de aperitivos, modo de varios destinos, modo de reparto directo y modo de cumpleaños.

☑ Modo de reparto

En el modo de reparto, el robot puede repartir alimentos a varias mesas en un solo viaje. Una vez que los platos que han pedido los distintos clientes se colocan en las bandejas y se introducen los números de mesa, el robot planificará automáticamente la mejor ruta para un reparto más rápido.



☑ Modo de reparto de aperitivos

En el modo de reparto de aperitivos, el robot circula por una ruta predeterminada con bebidas, postres o materiales promocionales e invita a los clientes a probar la comida o a recoger muestras mediante el sistema de voz o la visualización en pantalla.



☑ Modo de reparto directo

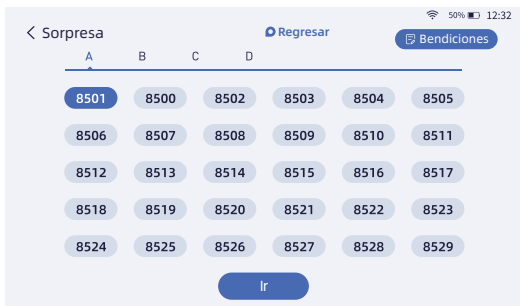
En el modo de reparto directo, el robot espera en el punto de recogida y sirve cualquier mesa siguiendo las indicaciones. Tras el reparto, espera allí la siguiente tarea en lugar de regresar automáticamente. Este modo se utiliza principalmente en los servicios de comida para llevar y otros escenarios similares.





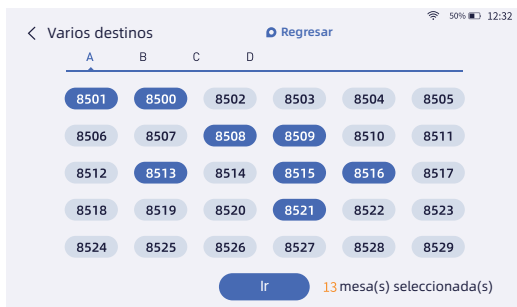
🎁 Modo Sorpresa

En el modo Sorpresa, el robot puede interpretar canciones para celebrar el cumpleaños del cliente, o bien en otras festividades, al llegar a un destino especificado. Los buenos deseos pueden personalizarse, como por ejemplo "Feliz cumpleaños a ****", transmitiendo al cliente felicitaciones y agradables sorpresas.



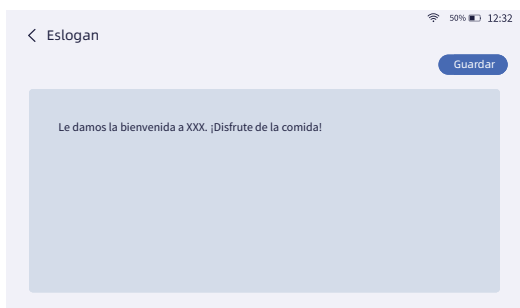
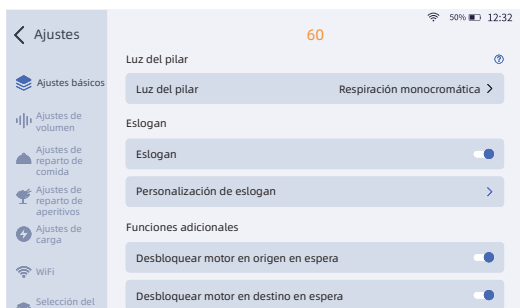
☑ Modo de varios destinos

En el modo de varios destinos, que es similar al modo de reparto de aperitivos, se pueden seleccionar hasta 20 números de mesa.



☑ Función Eslogan

La función Eslogan puede activarse en la página Configuración. Active la función Eslogan en la página Configuración, e introduzca el texto deslizante. Por ejemplo, "Bienvenidos a ...(nombre del establecimiento)". Tras escribir el texto, pulse Guardar. El eslogan se visualizará automáticamente en la pantalla del robot, en lugar de los emoticonos. La función Eslogan no afecta en modo alguno a los movimientos del robot.



■ Modo de reparto

El modo de reparto se utiliza normalmente para repartir comida a la mesa especificada siguiendo los siguientes pasos:

- ① Seleccione el modo de reparto en la ubicación de recogida.
- ② Coloque los platos en las bandejas (solo una bandeja para cada mesa).
- ③ Toque la bandeja con platos en la pantalla e introduzca el número de la mesa de destino.
- ④ Después de introducir el número de mesa, toque Iniciar reparto para que el robot inicie la tarea.
- ⑤ El robot llega rápidamente al destino siguiendo la ruta predeterminada.

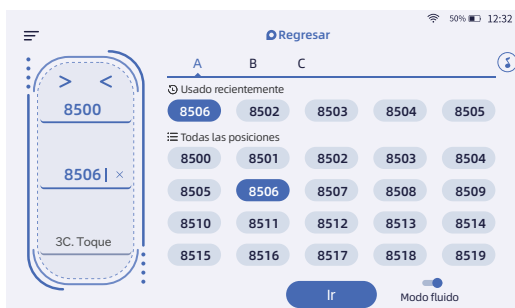
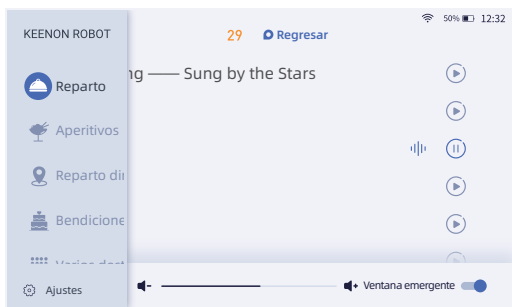
Durante el reparto, puede tocar el comando de parada en la pantalla del robot para poner en pausa el robot inmediatamente.

⑥ Si la tarea de reparto se pone en pausa durante 30 segundos (30 segundos de forma predeterminada y 5 minutos como máximo), puede indicar diferentes comandos al robot (modificar la tarea, finalizar la tarea actual, finalizar todas las tareas) durante este tiempo. Si no se introduce ningún comando en la pantalla táctil durante el tiempo establecido, el robot continuará con sus tareas.

⑦ Después de llegar al destino, el robot dirá lo siguiente: «aquí está su comida».

⑧ Después de tocar para confirmar, el robot realizará la siguiente tarea o volverá a la ubicación de recogida y esperará una nueva.

⑨ Si comprueba la ruta del robot en la tarea anterior, encontrará el destino.



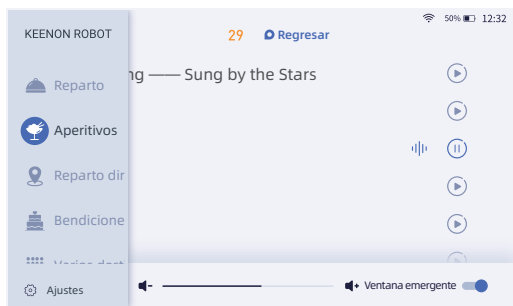




■ Modo de reparto de aperitivos

El modo de reparto de aperitivos es un modo de uso frecuente en el que el robot se desplaza por un entorno específico grande siguiendo los siguientes pasos:

- ① Seleccione el modo de reparto de aperitivos en la ubicación de recogida.
- ② Seleccione una ruta planificada.
- ③ Toque para confirmar y el robot iniciará la tarea.
- ④ Durante el reparto, el robot utilizará su sistema de voz para recordar a los clientes que pueden recoger los aperitivos. Toque el comando de parada en la pantalla del robot para poner el robot en pausa inmediatamente durante el reparto de aperitivos. Si el robot no recibe ningún comando nuevo en 5 segundos, continuará con sus tareas.
- ⑤ Para recoger los aperitivos, colóquese delante del robot o toque su pantalla. dejará de moverse inmediatamente y en la pantalla se mostrará que el robot está en pausa para que los clientes puedan recoger los aperitivos.

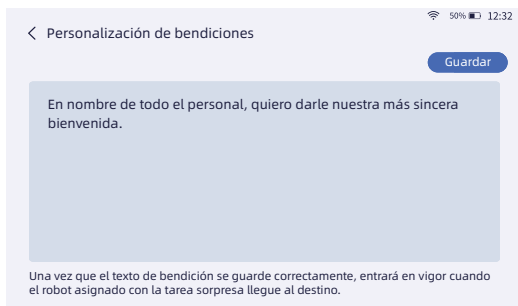




■ Modo Sorpresa

El modo Servicio de aperitivos está diseñado para presentar a los clientes sorpresas agradables, como se explica en los siguientes pasos:

- ① Seleccione el modo Sorpresa en el lugar de recogida.
- ② Vaya a la página del modo Sorpresa y pulse Selección de texto, en la esquina inferior izquierda.
- ③ Escriba el texto del saludo, seleccione la música y pulse Guardar.
- ④ Seleccione el número de mesa de destino y pulse Iniciar.
- ⑤ Cuando el robot llegue a su destino, reproducirá automáticamente la música y mostrará el texto de saludo en la pantalla.





5. Mantenimiento del robot

5.1 Mantenimiento

■ Robot

① Antes de limpiar el polvo del robot, asegúrese de que el adaptador está desconectado de la toma y del robot.

② Limpie el sensor LiDAR, la cámara RGB-D y el módulo de imagen superior con un paño de microfibra todos los días.

* Los paños de microfibra no están incluidos. Debe adquirirlos por separado.

③ Después de usar el robot, limpie la suciedad con un paño suave y húmedo y seque el robot completamente con un paño seco.

④ Utilice etanol desinfectante para desinfectar el exterior del robot. No pulverice líquido directamente sobre el robot. Utilice un paño humedecido en el desinfectante para limpiar el robot.

⑤ Compruebe y limpie periódicamente la parte inferior del robot cada seis meses.

⑥ Es necesario comprobar y limpiar los equipos relacionados con la seguridad de la máquina y realizar inspecciones de las funciones de seguridad (como la función de parada de emergencia, la función de superación de obstáculos, la alarma sonora y luminosa, etc.) cada 6 meses. Una semana antes de la fecha de expiración, la máquina dejará de funcionar y aparecerá un recordatorio de que es necesario el mantenimiento. Después de ver el recordatorio, por favor, póngase en contacto con el personal de mantenimiento profesional para la inspección y el mantenimiento in situ. Evite que el funcionamiento normal de la máquina se vea afectado

⑦ Es necesario comprobar cada día el entorno de aplicación del robot, como la pendiente y la planicidad del terreno, si las etiquetas de navegación están completas y si el equipo de iluminación del lugar está envejecido o dañado. Si la intensidad de la luz ambiental está en el rango de 300~20 000 lux.

⑧ Si hay manchas de agua o aceite en la máquina o en el suelo, límpielas oportunamente.

■ Rueda motriz y rueda conducida

① Limpie el pelo y el polvo atascados en la rueda.

② Para limpiar las ruedas conducidas, desmóntelas del robot y límpielas con un paño húmedo.

③ Si el robot está sucio, apóyelo en su lateral sobre una superficie suave y

límpielo con un paño humedecido en detergente neutro.

* Póngase guantes al desmontar el robot para evitar lesiones.

■ Debe ponerse en contacto con la fábrica para el mantenimiento, posventa y la sustitución del paquete de batería.

5.2 Cuidado del robot

■ Asegúrese de apagar el robot y cargar la batería después del uso.

① Apague el robot para almacenarlo cuando no esté en uso.

② Guarde el robot en un lugar con acceso sin obstáculos a puertas cortafuegos, escaleras o equipo contra incendios.

③ Guarde siempre el robot en interiores secos y sin humedad.

5.3 Desplazamiento y manipulación del robot

Levante o empuje el robot con ambas manos.

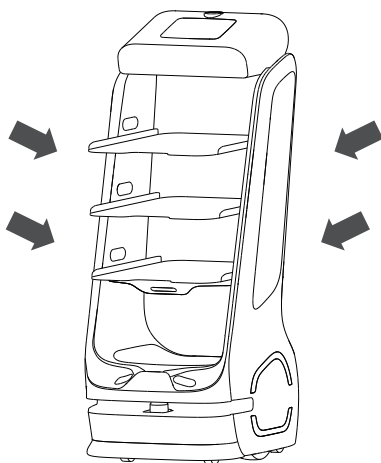
■ Levante y mueva el robot

Agarre los laterales con ambas manos y levante la máquina (flecha en la imagen) manteniendo la posición vertical.

■ Empuje y mueva el robot

Utilice ambas manos para mover el robot empujando los laterales (las posiciones marcadas por las flechas en la figura inferior).

* No tire de la parte inferior del robot, ni lo incline, ni levante la bandeja o la ranura junto al LiDAR, ni tire de su parte delantera o superior. De otro modo se podría dañar el robot.



5.4 Transporte

Durante el transporte, por favor, siga la dirección de la flecha en la caja, no la ponga plana ni la vuelque. Durante el desembalaje, mantenga la máquina en la dirección indicada en la caja, retire la cinta de embalaje, retire la caja exterior de abajo a arriba, retire el diagrama de llenado y transporte la máquina al lugar designado según el método indicado en el apartado 5.3.

5.5 Eliminación

Desechar dispositivos electrónicos a su antojo podría contaminar el medio ambiente; por favor, consulte la política local de reciclaje de residuos antes de desecharlos.

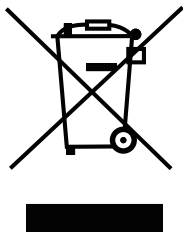
Este producto contiene baterías, que son sustancias peligrosas, por favor contacte con personal profesional para su reciclaje.

Este producto está diseñado y fabricado con materiales y componentes de alta calidad y reciclables.

Al eliminar el producto, compruebe que se esté desechando adecuadamente como residuo industrial diferenciado de los residuos generales y comerciales de acuerdo con los reglamentos regionales y municipales a petición de una empresa encargada de la eliminación de

residuos industriales.

* Si el producto está en régimen de alquiler, usted no puede eliminarlo. Póngase en contacto con el servicio de atención al cliente. Al eliminar la máquina, retire la batería de la máquina y deséchela adecuadamente de acuerdo con los reglamentos para eliminación de residuos de la región en la que reside.

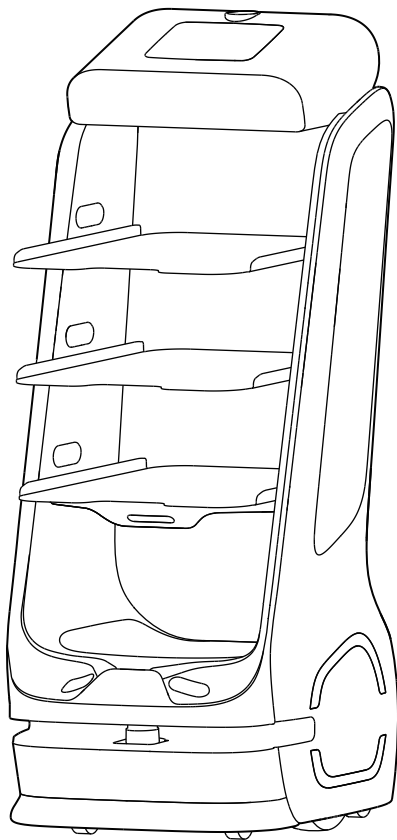


6. Resolución de problemas

En caso de problemas, consulte las soluciones siguientes.

Problema	Solución
No se puede activar el robot	<ul style="list-style-type: none"> ① Si la batería está baja, cargue el robot con el adaptador de corriente. ② Si el problema persiste, póngase en contacto con el servicio de atención al cliente.
El robot no se mueve	<ul style="list-style-type: none"> ① Pulse el botón de parada, mueva manualmente el marcador hasta un lugar fácilmente visible, suelte el botón de parada y luego compruebe si el robot se mueve de nuevo. ② Si el problema persiste después de la operación 1, desconecte el interruptor de alimentación principal, conéctelo cuando el robot esté en un lugar donde el marcador sea fácilmente visible para el robot y vuelva a intentarlo. ③ Si el problema persiste, póngase en contacto con el servicio de atención al cliente.
La navegación no funciona	<ul style="list-style-type: none"> ① Si el robot está fuera del mapa, desconecte el interruptor de alimentación principal, mueva el robot cerca del punto de inicio y reinicie la navegación. ② Asegúrese de que el módulo de visualización no está cubierto por una tela u otros objetos. Limpie el polvo, si lo hubiera.
El robot no habla o no emite sonidos	<ul style="list-style-type: none"> ① Si no se escucha voz o sonido, o si el volumen está demasiado bajo, ajuste el volumen. ② Si el problema persiste, póngase en contacto con el servicio de atención al cliente.
El robot no funciona con normalidad	<p>Desconecte el interruptor de alimentación principal y póngase en contacto con el servicio de atención al cliente.</p>

Robot per consegne avanzato Keenon - Manuale dell'utente
Keenbot T5 Pro



italiano

Keenon Robotics Co.,Ltd.
Conservare questo manuale di istruzioni per riferimento futuro

■ **Avviso:**

Copyright © 2022 Keenon Robotics Co., Ltd. Tutti i diritti riservati.

Questo documento non può essere copiato, riprodotto, trascritto o tradotto, in tutto o in parte, da alcun individuo o organizzazione, né trasmesso in qualsiasi forma o con qualunque mezzo (elettronico, fotocopie, registrazione, ecc.) per qualsiasi scopo commerciale senza il preventivo consenso scritto di Keenon Robotics Co., Ltd.

Le specifiche del prodotto e le informazioni qui riportate hanno esclusivamente scopo di riferimento e sono soggette a modifiche senza preavviso. Tranne che se diversamente indicato, questo manuale dell'utente viene utilizzato esclusivamente come guida per l'uso.

Sommario

Introduzione	198
---------------------	-----

Istruzioni per la sicurezza	198
------------------------------------	-----

Informazioni sulle istruzioni per la sicurezza	198
--	-----

Descrizione dei simboli	199
-------------------------	-----

Descrizione dei simboli grafici	200
---------------------------------	-----

Specifiche del prodotto	206
--------------------------------	-----

Aspetto e componenti	206
----------------------	-----

Specifiche	207
------------	-----

Funzionamento	208
----------------------	-----

Ricarica del robot	208
--------------------	-----

Accensione/spengimento	210
------------------------	-----

Funzionamento del pulsante di arresto	210
---------------------------------------	-----

Selezione della modalità	213
--------------------------	-----

Manutenzione del robot	224
-------------------------------	-----

Manutenzione	224
--------------	-----

Cura del corpo del robot	225
--------------------------	-----

Spostamento e manipolazione del robot	225
---------------------------------------	-----

Trasporto	226
-----------	-----

Smaltimento	226
-------------	-----

Risoluzione dei problemi	228
---------------------------------	-----

1. Introduzione

Keenon T5 Pro, sviluppato da Keenon Robotics, è un robot per le consegne che collabora con il personale di ristoranti, alberghi, locande e negozi al dettaglio.

2. Istruzioni per la sicurezza

2.1 Informazioni sulle istruzioni per la sicurezza

Prima di utilizzare il robot, si prega di comprendere e rispettare appieno le istruzioni di sicurezza descritte nel manuale di istruzioni. Keenon T5 Pro (di seguito denominato "il manuale"). Le precauzioni qui riportate sono finalizzate a evitare danni agli utenti e ad altro personale e perdite di proprietà. Prestare sempre attenzione.

Keenon Robotics non può essere ritenuta responsabile per eventuali danni all'utente o a terzi causati da malfunzionamenti, utilizzo improprio, problemi, ecc. del robot o dell'alimentatore.

Questo manuale fornisce precauzioni di sicurezza per l'uso del robot e dell'alimentatore, procedure corrette per la manipolazione e altre informazioni normative. Le precauzioni descritte in questo manuale non esauriscono tutte le situazioni possibili. La sicurezza degli operatori, dei pedoni e delle persone nei dintorni è sempre la prima priorità in qualsiasi circostanza (ad esempio qualora robot non funzioni normalmente o si capovolga). Prestare sempre attenzione alle precauzioni durante l'installazione e l'utilizzo del robot e mantenere questo manuale facilmente accessibile.

Questo prodotto può essere utilizzato in tutti gli Stati membri dell'UE.




	AT	BE	BG	HR	CY	CZ	DK
	EE	FI	FR	DE	EL	HU	IE
	IT	LV	LT	LU	MT	NL	PL
	PT	RO	SK	SI	ES	SE	UK

Con la presente, Keenon Robotics Corp. Co., LTD dichiara che le apparecchiature sono conformi alle seguenti direttive:

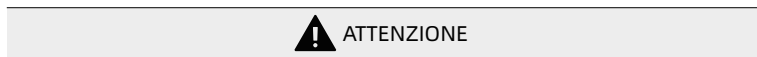
Applied Directive	Applied Standards
MD Directive 2006/42/EC	EN ISO 13482:2014 EN 62368-1:2014+A11:2017 EN ISO 12100:2010
RE Directive 2014/53/EU	EN 301489-1 V2.2.3 EN 301 489-19 V2.2.0 EN 301 489-52 V1.1.2 EN 301489-17 V3.2.4 EN IEC 62311:2020 EN 300 328 V2.2.2 EN 301511 V12.5.1 EN 301908-1 V13.1.1 EN 301908-2 V13.1.1 EN 301908-13 V13.1.1 ETSI EN 303413 V1.2.1
EMC Directive 2014/30/EU	EN 61000-3-3: 2013+A1:2019 EN IEC 55014-1: 2021 EN IEC 55014-2: 2021 EN IEC 61000-3-2:2019+A1: 2021
RoHS Directive(2011/65/EU)	Pb, Hg, Cd, Cr (VI), PBB, PBDE, DEHP, BBP, DBP, DIBP according to standard IEC 62321-1: 2013, IEC 62321-2: 2013, IEC 62321-3-1: 2013, IEC 62321-4: 2013+A1: 2017, IEC 62321-5: 2013, IEC 62321-6: 2015, IEC 62321-7-1: 2015, IEC 62321-7-2: 2017 & ISO 17075-1: 2017, IEC 62321-8: 2017
WEEE Directive 2012/19/EU	
REACH(EC) No 1907/2006	SVCH 224 Annex XVII

2.2 Descrizione dei simboli

Le seguenti categorie di simboli spiegano l'entità delle lesioni o dei danni causati dal mancato rispetto delle avvertenze e dall'uso improprio del robot o delle relative apparecchiature. Assicurarsi di aver compreso completamente i seguenti simboli prima di leggere questo manuale.

 AVVERTENZA	<p>I simboli di AVVERTENZA avvertono gli utenti di operazioni pericolose che potrebbero provocare cecità, lesioni, ustioni (ad alta o bassa temperatura), scosse elettriche, fratture ossee, avvelenamento, ecc., con conseguenze di lunga durata che richiedono il ricovero a breve o a lungo termine.</p>
 ATTENZIONE	<p>I simboli di ATTENZIONE indicano che il mancato rispetto di queste precauzioni potrebbe causare lesioni, ustioni, scosse elettriche, ecc. Tuttavia, non è necessario il ricovero a breve o a lungo termine.</p>
 NOTA	<p>I simboli di NOTA indicano che il mancato rispetto delle precauzioni può danneggiare o lesionare abitazioni, proprietà, bestiame e animali domestici.</p>

2.3 Descrizione dei simboli grafici



■ **Non utilizzare, ricaricare o conservare il robot e il caricabatteria in luoghi ad alta temperatura** (vicino a scintille o fiamme, vicino a termosifoni, alla luce diretta del sole, in auto quando fa caldo, ecc.), **luoghi caldi o luoghi in cui il calore si possa accumulare** (come sotto a termosifoni o coperte elettriche). **Garantire una ventilazione adeguata e non coprire il robot e il caricabatteria con tessuti.**

■ **Per motivi di sicurezza, non utilizzare il robot nelle seguenti condizioni:**

① **Non esporre il robot ad ambienti con eccessiva polvere, sabbia, neve, ghiaccio, acqua, umidità, acqua salata o nebbia salina** (come l'ambiente marino e quello costiero).

Il robot è destinato ad essere utilizzato esclusivamente all'interno. L'uso del robot all'aperto può causare malfunzionamenti, distruzione o danni ai componenti e agli oggetti circostanti a causa di fattori naturali e altre azioni impreviste.

In caso contrario, potrebbero verificarsi lesioni, malfunzionamenti o danni agli oggetti circostanti.

② **Aree con dislivelli superiori a 0,5 cm** (come superfici ruvide).

③ **Discesa continua.**

④ **Aree di gioco di bambini.**

- ⑤ **Aree con oggetti riflettenti o trasparenti** (come porte automatiche, finestre, specchi, pannelli acrilici, ecc.).
- ⑥ **Superfici con nastri adesivi neri** (materiali con riflettività alla luce estremamente bassa) o zone in cui siano fissati oggetti simili.
- ⑦ **Nelle vicinanze di scale o ascensori.**
- ⑧ **All'aperto.**
- ⑨ **Luoghi con forte luce solare, come vicino alle finestre.**
- ⑩ **Aree vicine ad apparecchiature a infrarossi, come porte automatiche.**
- ⑪ **Per consentire il passaggio di un robot, un corridoio deve essere largo almeno 0,7 m. Un corridoio con una larghezza maggiore di 1,5 m consente a due robot di muoversi frontalmente: in caso contrario, i robot dovranno passare lungo il corridoio uno per volta.**

■ **Non collocare ornamenti che potrebbero ostacolare le operazioni del robot e del touch screen.**

■ **Non spingere il robot durante l'accensione.**

■ **Non utilizzare il robot in luoghi con scale, pavimenti irregolari** (come tessere di mosaici e tappeti con fibre più lunghe di 1 cm), **superfici inclinate o pavimenti bagnati.**

In caso contrario, il sensore LiDAR, la fotocamera RGB-D o la fotocamera del modulo immagini potrebbero non funzionare correttamente e il robot potrebbe ribaltarsi o cadere, provocando lesioni o danni alle persone e agli oggetti circostanti.

■ **Tenere sempre sgombro il corridoio utilizzato dal robot.**

Se il robot passa su piccoli ostacoli o oggetti come forchette, cucchiari e bacchette, gli oggetti sui vassoi potrebbero cadere, provocando lesioni e malfunzionamenti, oppure rendendo inutilizzabile il robot.

■ **Questo robot su ruote è destinato all'uso in interni su superfici piane** (superfici lisce con pendenza inferiore a 5 gradi e dossi inferiori a 1 cm). **Non utilizzarlo all'aperto** (come balconi aperti), **terreni accidentati** (come scale) e **altri ambienti.**

■ **Per ricaricare il robot utilizzare solo il caricabatteria originale e il cavo di alimentazione speciale fornito con il robot.**

■ **Non spingere il robot quando è acceso.**

■ **Non utilizzare il caricabatteria in o vicino a luoghi in cui siano presenti polvere, sale, gas corrosivi o sostanze infiammabili.**

In caso contrario, potrebbero verificarsi incendi, lesioni, scosse elettriche, danni, malfunzionamenti, surriscaldamento, perdite o rotture. Non toccare alcuna fonte di alimentazione o di tensione con le mani bagnate, a parte il cavo dell'alimentatore.

- Non utilizzare caricabatteria o cavi di alimentazione danneggiati.
- Il caricabatteria è progettato per essere posizionato su un lato. Non utilizzarlo in posizione verticale o capovolto.
- Assicurarsi che il cavo di alimentazione sia scollegato dalla presa prima della manutenzione o quando il caricabatteria non verrà utilizzato per un lungo periodo.
- Quando il cavo di alimentazione è collegato al caricabatteria, non calpestare il cavo di alimentazione né applicare ad esso una forza eccessiva. Non toccare il caricabatteria per un periodo di tempo prolungato durante la ricarica.
- Non far cadere o calpestare il caricabatteria, indipendentemente dal fatto che sia collegato o meno. Non applicare ad esso una forza eccessiva su di esso, come appoggiare oggetti o calpestarlo.
- Ricaricare il robot esclusivamente all'interno. Non utilizzarlo all'esterno, come sulla strada.
- Non utilizzare batterie, alimentatori o colonne di ricarica di terze parti. Non smontare, riparare o modificare la batteria o la colonna di ricarica senza autorizzazione.
- **Non cuocere (come grigliare) sul robot.**
In caso contrario, potrebbero verificarsi incendi, lesioni, scosse elettriche, danni, malfunzionamenti, surriscaldamento, perdite o rotture.
- **Non schizzare acqua sul robot.**
Anche se il robot è progettato per essere a prova di polvere e gocce, non lo è completamente. Qualora del liquido fuoriesca dal vassoio, pulirlo immediatamente con un panno morbido e asciutto e asciugare il vassoio all'aria. La presenza di liquido nel robot o ricaricare il robot quando è umido può causare surriscaldamenti, scosse elettriche, incendi, lesioni o malfunzionamenti.
- **Non consentire l'ingresso di liquidi come bevande o altri corpi estranei all'interno del robot.**
- **Non collocare oggetti che superino l'altezza del vassoio e possano bloccare i sensori del robot.**
In caso contrario, potrebbero verificarsi malfunzionamenti o danni agli oggetti circostanti.
- **Non collocare sul vassoio oggetti che ne superino la capacità di carico.**
In caso contrario, potrebbero verificarsi lesioni, malfunzionamenti, danni agli

oggetti circostanti o il robot potrebbe diventare inutilizzabile.

① **Capacità di carico con 3 vassoi: 10 kg ciascuno** (40 kg in totale).

② **Capacità di carico quando si utilizza il vassoio solo sul 4° strato** (il vassoio inferiore): **15kg**.

■ **Non rimuovere gli oggetti da un vassoio quando il robot è in movimento.** In caso contrario gli oggetti potrebbero cadere dal vassoio o potrebbero verificarsi danni agli oggetti circostanti.

■ **Per garantire l'igiene degli alimenti, non lasciare il cibo incustodito o fuori portata.**

■ **Non utilizzare un piatto più grande del vassoio del robot.** In caso contrario, potrebbe bloccare i sensori e causare malfunzionamenti.

■ **Non utilizzare il robot in un ambiente sanitario o vicino a dispositivi medici elettronici.**

■ **Per il mercato europeo:**

Questo apparecchio può essere utilizzato da bambini di età pari o superiore agli 8 anni e da persone con ridotte capacità fisiche, sensoriali o mentali o prive di esperienza e conoscenze, se sono state seguite o istruite sull'uso dell'apparecchio in modo sicuro e se ne comprendono i pericoli associati. I bambini non devono giocare con l'apparecchio. La pulizia e la manutenzione non devono essere effettuate da bambini senza supervisione.

■ **Per il mercato extraeuropeo:**

Questo apparecchio non è destinato all'uso da parte di persone (compresi i bambini) con ridotte capacità fisiche, sensoriali o mentali o prive di esperienza e conoscenze, a meno che non siano state supervisionate o istruite sull'uso dell'apparecchio da una persona responsabile della loro sicurezza. I bambini devono essere sorvegliati per assicurarsi che non giochino con l'apparecchio.

■ **Il pacco batterie non può essere sostituito dall'utente.**

■ **Quando si conserva la batteria separatamente, utilizzare un dispositivo di ricarica speciale per caricarla per 2 ore al mese.**

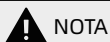
■ **Ricaricare il robot in aree non occupate, spazi chiusi o accessibili solo ai tecnici della manutenzione.**

■ **Prestare attenzione agli animali domestici e non lasciarli correre intorno al robot.**

■ **Non utilizzare il dispositivo in ambiente umido.**

■ **La temperatura di ricarica della batteria deve essere tra 10°C e 40°C.**

- Non esporre il dispositivo ad aree con sostanze infiammabili ed esplosive.
 - Non accendere il dispositivo quando è vietato l'uso.
 - Per la sicurezza alla guida, il conducente non può utilizzare il dispositivo quando l'auto è in movimento.
 - Utilizzare un panno morbido e asciutto per pulire il dispositivo; non utilizzare acqua, alcol, detersivi o prodotti chimici.
 - Tenere la batteria e il caricabatterie del dispositivo fuori dalla portata dei bambini per evitare che li ingeriscano o si feriscano accidentalmente. I bambini possono utilizzare il dispositivo solo sotto la supervisione di un adulto.
 - Osservare tutte le norme e i regolamenti applicabili ai prodotti mobili negli ospedali e nelle strutture sanitarie.
 - Utilizzare solo la batteria inclusa con il prodotto.
- ⚠ Non fissare la fonte di luce per troppo tempo (non più di 100 secondi).



- L'operatore deve leggere questo manuale e comprendere completamente come utilizzare correttamente il robot prima di utilizzarlo.
- Assicurarsi che l'alimentatore sia scollegato dalla presa prima spostare o lavorare sul robot ed effettuare la manutenzione.
- Non capovolgere o far cadere il robot durante lo spostamento o la manipolazione.
In caso contrario, potrebbero verificarsi incendi, lesioni, scosse elettriche, danni, malfunzionamenti, surriscaldamento, perdite, esplosioni chimiche o danni al robot o al caricabatteria.
- Per la consegna di piatti caldi o instabili (come liquidi in un bicchiere e zuppe in una ciotola), effettuare una prova in anticipo per assicurarsi che nessun liquido fuoriesca o goccioli durante il funzionamento.
- Quando si posizionano oggetti pesanti o più piatti sul vassoio, posizzionarli al centro, per mantenere la stabilità.
In caso contrario, potrebbero verificarsi malfunzionamenti, fuoriuscite di liquidi o la caduta dei piatti.

■ Quando si consegnano oggetti pesanti, posizionarli sui vassoi inferiori e mantenere il robot in funzione su una superficie piana.

In caso contrario, potrebbero verificarsi fuoriuscite di liquidi o danni agli oggetti circostanti durante il funzionamento.

■ Quando si utilizza il robot, tenere sempre le ruote a contatto con il pavimento.

In caso contrario, potrebbero verificarsi malfunzionamenti o danni agli oggetti circostanti.

■ Assicurarsi che l'operatore possa rispondere immediatamente a qualsiasi situazione inaspettata mentre il robot è in movimento. Se si sospetta un pericolo, premere il pulsante di arresto.

In caso contrario, potrebbero verificarsi lesioni o danni all'utente, a terzi o agli oggetti circostanti.

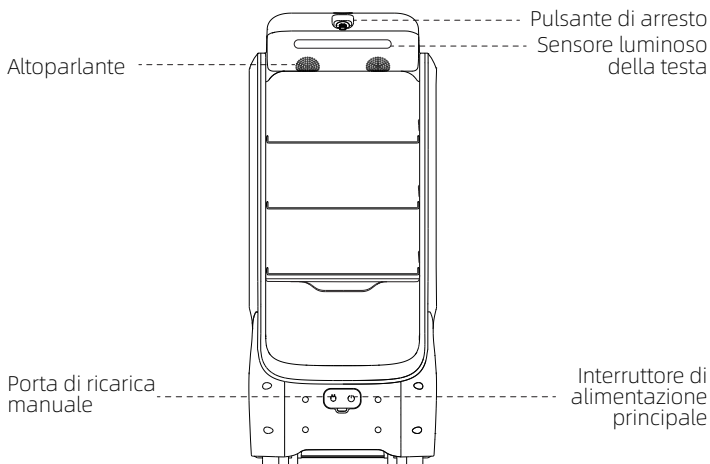
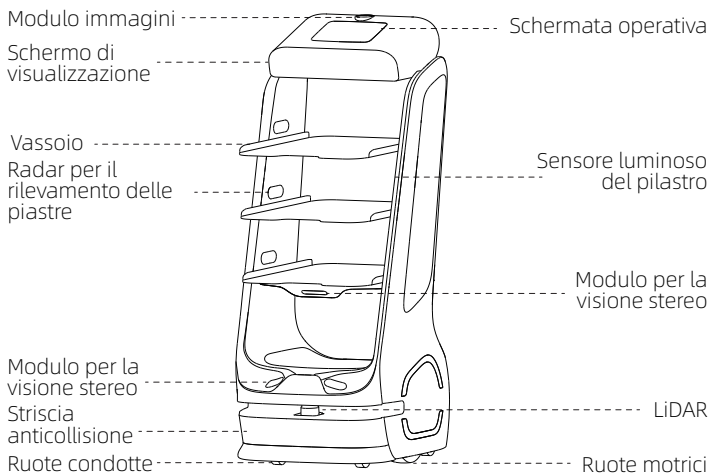
■ Utilizzare il robot in un ambiente con una temperatura compresa fra 0°C e 40 °C e un'umidità compresa fra il 5% e l'85%. Conservare il robot in un luogo asciutto e privo di polvere, a una temperatura compresa fra -30 °C e 60 °C e un'umidità compresa fra il 10% e il 90%.

In caso contrario, potrebbero verificarsi incendi, lesioni, scosse elettriche, danni, malfunzionamenti, surriscaldamento, perdite, esplosioni chimiche o altri danni al robot o al caricabatteria.

■ In caso di cambiamenti significativi nell'ambiente interno (come ristrutturazioni, uso del robot in una nuova posizione, risistemazione di oggetti interni come destinazioni, sedie e tavoli), è necessaria una nuova mappatura.

3. Specifiche del prodotto

3.1 Aspetto e componenti



3.2 Specifiche

Elemento	Specifiche
Modello	Keenon T5 Pro
Dimensioni del robot (LxLxH)	506mm×502mm×1205mm
Dimensioni del vassoio (LxLxH)	Il primo strato: 486mm×384mm×186mm Altri strati: 486mm×384mm×166mm
Peso del robot (esclusa la pila di ricarica)	61.5Kg
Capacità massima per strato	10Kg
Massima velocità di crociera	0.9m/s
Porta di rete	Wifi, 4G
Capacità della batteria	48V DC 12Ah
Potenza nominale	50W
Corrente in standby	Corrente di standby < 1.5 A
Durata della batteria	10~12h
Vita utile	20000h
Intervallo di temperatura/umidità di funzionamento del robot	Temperatura: 0 °C ~ 40 °C , Umidità: 5% ~ 85%
Luminosità	All'interno 300 ~ 20000 Lux
Ambiente di lavoro	Ambiente interno asciutto con pavimento piano e liscio
Ambiente di conservazione	Temperatura: -30 °C ~ 60 °C, al di sotto di un'altitudine di 1000 m

4. Funzionamento

4.1 Ricarica del robot

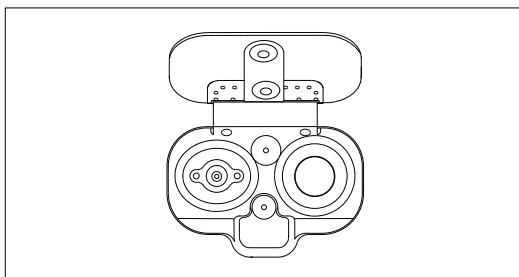
☑ Ricaricare completamente il robot quando lo si utilizza per la prima volta o quando il livello della batteria sia inferiore al 20%.

* La ricarica è completata quando l'indicatore dell'alimentatore diventa verde.

☑ Non utilizzare il robot durante la ricarica.

☑ Ricaricare completamente il robot ogni due mesi se il robot viene lasciato inutilizzato per un lungo periodo

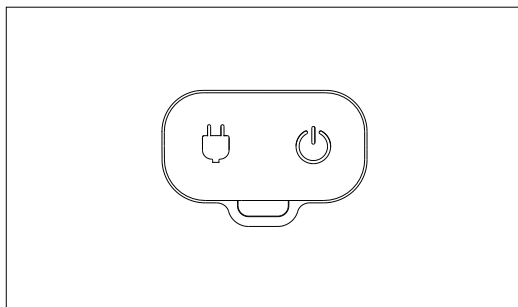
■ Aprire il coperchio in gomma della porta di ricarica manuale sul retro del robot e collegare l'alimentatore alla porta di ricarica.



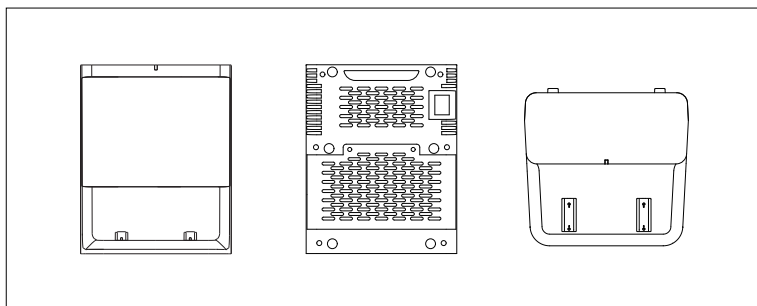
■ Quando inizia la ricarica l'indicatore dell'alimentatore diventa rosso. Toccare lo schermo e passare alla schermata di ricarica, che mostra che la ricarica è in corso.



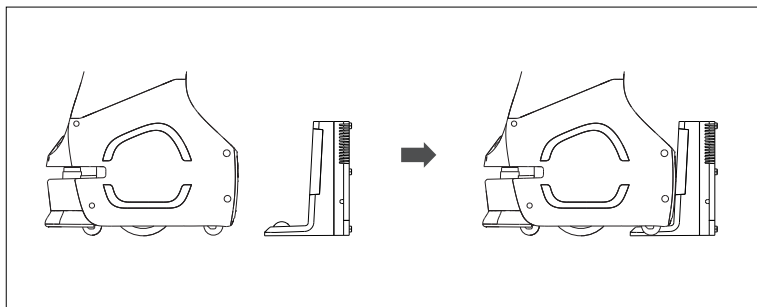
- Scollegare l'alimentatore e chiudere il coperchio in gomma.



La figura seguente mostra la struttura della colonna di carica per un robot per la consegna di alimenti a più livelli:



Ricaricare il robot in aree non occupate, spazi chiusi o accessibili solo ai tecnici della manutenzione. Il robot è dotato di ricarica automatica intelligente. È in grado di individuare, allinearsi e collegarsi automaticamente alla colonna di ricarica per la ricarica automatica quando il livello della batteria scende al 5% o viene inviato manualmente per la ricarica.



4.2 Accensione/spengimento

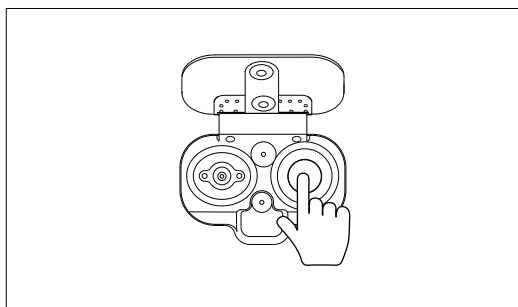
L'interruttore principale si trova sul retro del robot, sul lato destro sotto la copertura in gomma.

■ Accensione

Premere una volta l'interruttore principale per accendere il robot, operazione che richiederà circa 40 secondi.

■ Spegnimento

Premere una volta l'interruttore principale per spegnere il robot, come viene fatto per accenderlo.

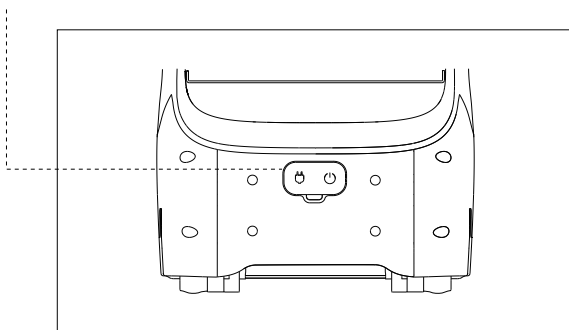


4.3 Funzionamento del pulsante di arresto

Nelle seguenti condizioni, arrestare il robot premendo il pulsante di arresto:

- ☑ **Spostamento manuale del robot mentre sta lavorando.**
- ☑ **Il robot non funziona normalmente** (per esempio si muove in una direzione diversa da quella indicata) **e potrebbe causare danni all'ambiente circostante.**

Nota: aprire la copertura in silicone sotto il telaio e attivarlo premendo il pulsante rosso sulla destra.



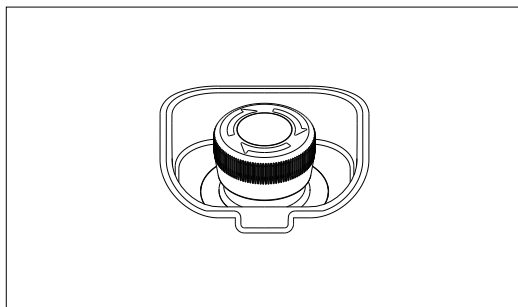
■ Operazioni in caso di emergenza

Quando il robot non funziona normalmente o in caso di qualsiasi altra emergenza che metta a rischio l'ambiente circostante, è possibile arrestare il robot premendo l'interruttore di arresto di emergenza nella parte superiore.

Interruttore di arresto di emergenza:

Dopo avere verificato che il robot sia tornato alla normalità, ruotare delicatamente l'interruttore nella direzione indicata sull'interruttore di arresto di emergenza, sulla parte superiore, per fare in modo che il robot riprenda il normale funzionamento.

Nota: se il pulsante di arresto di emergenza viene premuto su una pendenza, il robot rilascerà l'energia cinetica e continuerà a muoversi a causa dell'inerzia, il che potrebbe causare lesioni.



■ Protezione di aggiramento degli ostacoli

Il prodotto utilizza un sistema di fusione multisensore per rilevare gli ostacoli davanti a sé. Qualora si verifichi una situazione pericolosa, il robot può decelerare, fermarsi e applicare altre funzioni di controllo della velocità eccessiva per evitare gli ostacoli attraverso il proprio giudizio, emettendo un segnale acustico.

Se il percorso è congestionato, il robot non può evitare l'ostacolo e i segnali sonori e luminosi continuano, premere l'interruttore di arresto di emergenza per allontanare il robot o rimuovere l'ostacolo.

■ Prompt visivi e acustici

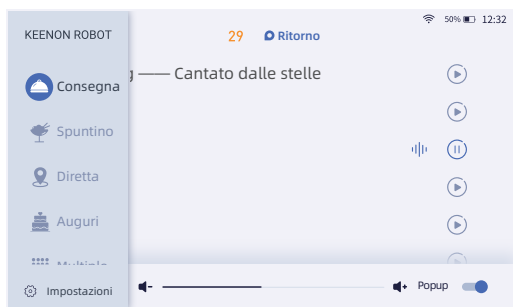
	Luce del pilastro	Luce frontale	Luce ambientale
Collisione	Giallo lampeggiante	Rosso fisso	Rosso fisso
Perdersi (perdere le etichette)	Giallo lampeggiante	Blu fisso	Blu fisso
Arresto di emergenza	Giallo lampeggiante	Rosso fisso	Rosso fisso
Spostamento	Blu ritmico	Blu fisso	Blu fisso
Sterzo	Blu ritmico	Blu scorrevole (sul lato della direzione di svolta)	Blu fisso

4.4 Selezione della modalità

Il robot è dotato di cinque modalità per diversi scenari: Modalità consegna, Modalità consegna spuntini, Modalità destinazioni multiple, Modalità consegna diretta e Modalità sorpresa.

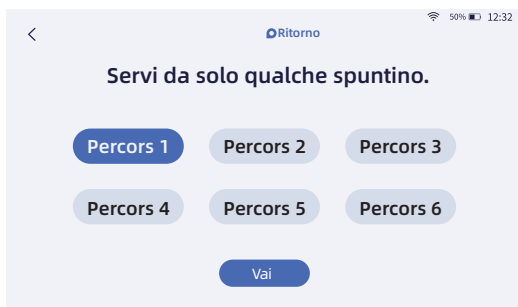
☑ Modalità consegna

In Modalità consegna, il robot può consegnare alimenti a più tavoli in un solo viaggio. Dopo che i piatti ordinati dai diversi clienti sono stati posizionati sui vassoi e siano stati inseriti i numeri dei tavoli, il robot pianificherà automaticamente il percorso migliore per la consegna più veloce.



☑ Modalità consegna spuntini

In Modalità consegna spuntini, il robot percorre un percorso predeterminato con bevande, dessert o materiale promozionale self-service e invita i clienti a provare i cibi o prelevare campioni tramite voce o display.



☑ Modalità consegna diretta

Nella Modalità consegna diretta, il robot rimane in attesa al punto di prelievo e serve qualunque tavolo in base alle istruzioni. Dopo la consegna attende sul posto l'attività successiva invece di tornare automaticamente. Questa modalità è utilizzata principalmente nei ristoranti con servizio da asporto e in altri scenari simili.





☑ Modalità sorpresa

In modalità Sorpresa, il robot può riprodurre canzoni per festeggiare il compleanno del cliente o altre festività dopo l'arrivo alla destinazione specificata. Gli auguri possono essere personalizzati, come ad esempio "Buon compleanno a ****", regalando ai clienti auguri e piacevoli sorprese.



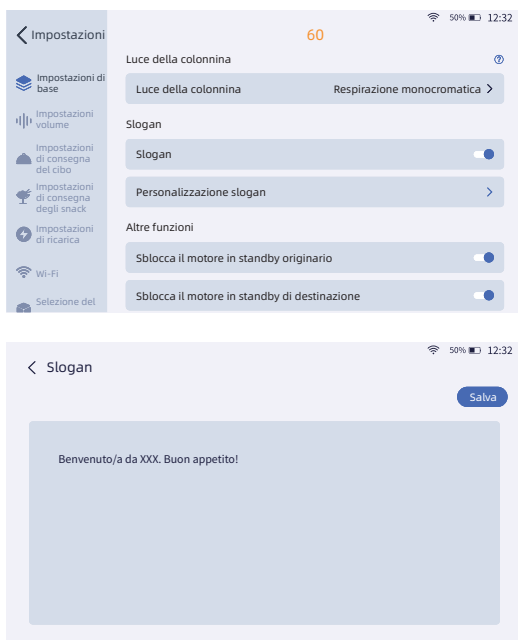
☑ Modalità destinazioni multiple

Nella Modalità destinazioni multiple, che è simile alla Modalità consegna spuntini, possono essere selezionati fino a 20 numeri di tavoli.



☑ Funzione slogan

La funzione Slogan può essere attivata nella pagina delle impostazioni. Attivare la funzione Slogan nella pagina delle impostazioni e inserire il testo da visualizzare a scorrimento. Ad esempio, "Benvenuti a ...(il nome del negozio)". Toccare Salva dopo aver inserito il testo. Lo slogan scorre automaticamente sullo schermo del robot al posto delle emoticon. La funzione Slogan non influisce sul movimento del robot in nessuna modalità.



■ Modalità consegna

La Modalità consegna è comunemente usata per consegnare alimenti al tavolo specificato nei seguenti passi:

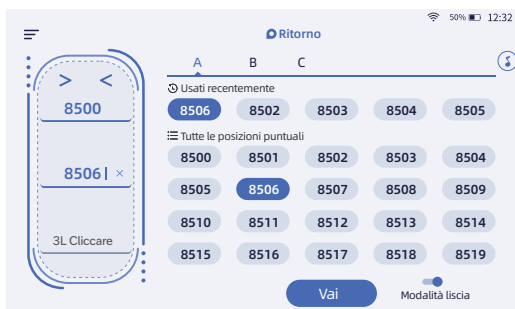
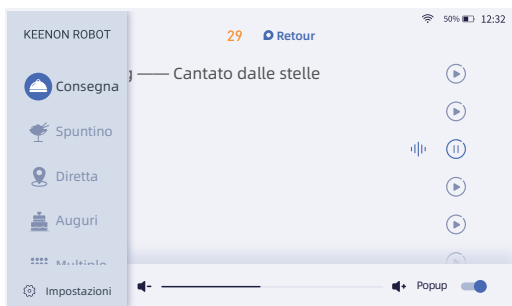
- ① Selezionare Modalità consegna al punto di prelievo.
- ② Posizionare i piatti sui vassoi (un solo vassoio per ogni tavolo).
- ③ Toccare il vassoio con i piatti sullo schermo e inserire il numero del tavolo di destinazione.
- ④ Dopo aver inserito il numero del tavolo, toccare Avvia consegna affinché il robot inizi l'attività.
- ⑤ Il robot arriva velocemente a destinazione lungo il percorso prestabilito. Durante la consegna è possibile toccare il comando Arresta sullo schermo del robot per mettere immediatamente in pausa il robot.
- ⑥ Quando l'attività di consegna viene messa in pausa per 30 secondi (30 secondi

per impostazione predefinita e 5 minuti al massimo) è possibile in questo tempo impartire comandi diversi al robot (modificare attività, terminare l'attività corrente, terminare tutte le attività); se non viene dato alcun comando sul touch screen entro il tempo impostato, il robot riprenderà le sue attività.

⑦ Dopo essere arrivato a destinazione, il robot emetterà un avviso vocale (ecco i vostri piatti).

⑧ Dopo aver toccato per confermare, il robot eseguirà l'attività successiva o tornerà al punto di prelievo in attesa di un nuovo ordine.

⑨ Controllando il percorso del robot nell'attività precedente, è possibile trovare la destinazione.



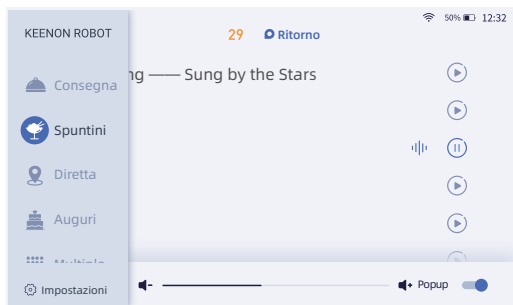


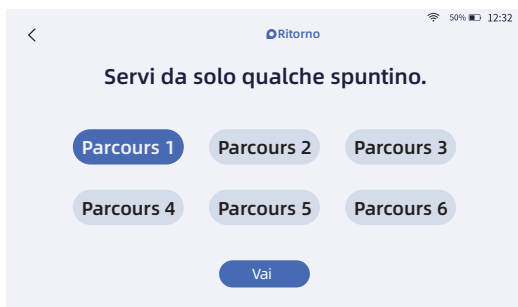


■ Modalità consegna spuntini

La Modalità consegna spuntini è una modalità comunemente utilizzata, nella quale il robot si sposta in un ambiente di grandi dimensioni, e prevede i seguenti passi:

- ① Selezionare la Modalità consegna spuntini presso il punto di prelievo.
- ② Selezionare un percorso pianificato.
- ③ Toccare per confermare: il robot inizia l'attività.
- ④ Il robot avviserà vocalmente durante la consegna, ricordando ai clienti di prelevare gli spuntini. Toccare il comando Arresta sullo schermo del robot per mettere immediatamente in pausa il robot durante la consegna degli spuntini. Se il robot non riceve un nuovo comando entro 5 secondi, continuerà con le sue attività.
- ⑤ Per prelevare gli spuntini, porsi di fronte al robot o toccare il suo schermo: si arresterà immediatamente e lo schermo mostrerà che il robot è in pausa, in modo che i clienti possano servirsi degli spuntini.

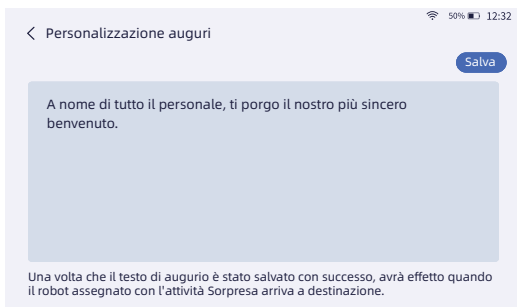




■ Modalità Sorpresa

La modalità di consegna degli snack è progettata per riservare ai clienti piacevoli sorprese, come illustrato nei passaggi seguenti:

- ① Selezionare la modalità Sorpresa nel luogo di ritiro.
- ② Andare alla pagina Modalità sorpresa e sfiorare Selezione testo nell'angolo in basso a sinistra.
- ③ Inserire il testo di auguri, selezionare la musica e sfiorare Salva.
- ④ Selezionare il numero della tabella di destinazione e sfiorare Avvia.
- ⑤ Una volta arrivato a destinazione, il robot riprodurrà automaticamente la musica e farà scorrere il testo degli auguri sullo schermo.





5. Manutenzione del robot

5.1 Manutenzione

■ Robot

① Prima di rimuovere la polvere dal robot, assicurarsi che l'alimentatore sia scollegato dalla presa e dal robot.

② Pulire ogni giorno il sensore LiDAR, la fotocamera RGB-D e il modulo immagini superiore con un panno in microfibra.

* I panni in microfibra non sono in dotazione. Occorre predisporne separatamente.

③ Dopo avere utilizzato il robot, pulire lo sporco con un panno morbido inumidito e asciugare completamente il robot con un panno asciutto.

④ Utilizzare etanolo disinfettante per disinfettare l'esterno del robot. Non spruzzare del liquido direttamente sul robot. Utilizzare un panno inumidito nel disinfettante per pulire il robot.

⑤ Controllare e pulire regolarmente la parte inferiore del robot ogni sei mesi.

⑥ Ogni 6 mesi occorre controllare e pulire la macchina, ispezionare le apparecchiature e le funzioni di sicurezza, come la funzione di arresto di emergenza, la funzione di aggiramento degli ostacoli, gli allarmi visuali e sonori, ecc. Una settimana prima della data di scadenza, la macchina smetterà di funzionare e apparirà un promemoria che richiede di effettuare la manutenzione. Dopo aver visto il promemoria, contattare il personale di manutenzione post-vendita professionale per un'ispezione e una manutenzione tempestive in loco. Evitare di compromettere il normale funzionamento della macchina.

⑦ È necessario controllare quotidianamente l'ambiente di utilizzo del robot, come la pendenza e la planarità dei pavimenti, se le etichette di navigazione siano complete e se le apparecchiature di illuminazione in loco siano vecchie o danneggiate.

Se l'intensità della luce ambientale sia compresa tra 300 e 20000 lux.

⑧ Pulire tempestivamente eventuali macchie di acqua o di olio sulla macchina o sui pavimenti.

■ Ruota guida e ruota motrice

① Rimuovere i peli e la polvere eventualmente bloccati sulla ruota.

② Per pulire le ruote motrici, rimuoverle dal robot e strofinarle con un panno umido.

③ Se il robot è sporco, appoggiarlo di lato su una superficie morbida e pulirlo con un panno inumidito con detergente neutro.

* Per evitare lesioni, indossare i guanti durante lo smontaggio del robot.

■ Occorre contattare la fabbrica per quanto riguarda la manutenzione e la sostituzione post-vendita del pacco batterie.

5.2 Cura del corpo del robot

■ Assicurarsi di spegnere il robot e ricaricare la batteria dopo l'uso.

① Spegnere il robot per riporlo quando non è in uso.

② Conservare il robot in un luogo in cui non ostacoli l'accesso a porte tagliafuoco, scale o attrezzature antincendio.

③ Conservare sempre il robot in un luogo chiuso e asciutto, privo di umidità.

5.3 Spostamento e manipolazione del robot

Sollevare o spingere il robot con entrambe le mani.

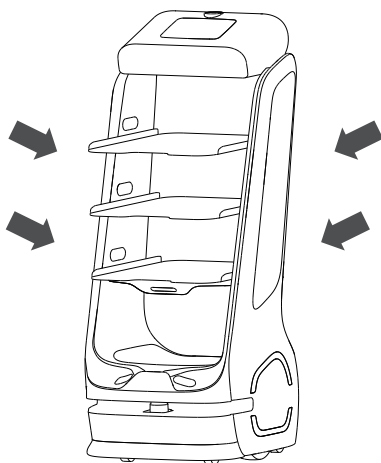
■ Sollevamento e spostamento del robot

Afferrare i lati con entrambe le mani e sollevare la macchina (freccia nella foto) mantenendola in posizione eretta.

■ Spinta e spostamento del robot

Utilizzare entrambe le mani per spostare il robot spingendo i lati (le posizioni contrassegnate dalle frecce nella figura seguente).

* Non sollevare la parte inferiore del robot, non inclinarlo, non sollevare il vassoio o la fessura accanto al LiDAR, né tirarne la parte anteriore o superiore. In caso contrario, il robot potrebbe danneggiarsi.



5.4 Trasporto

Durante il trasporto, seguire la direzione della freccia sulla scatola, non distendere né scaricare.

Durante il disimballaggio, mantenere la macchina nella direzione indicata sulla scatola, rimuovere il nastro di imballaggio, rimuovere la scatola esterna dal basso verso l'alto, rimuovere lo schema di riempimento e trasportare la macchina nel luogo designato secondo il metodo in 5.3.

5.5 Smaltimento

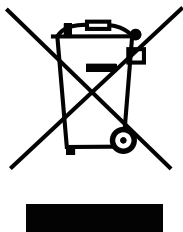
Lo smaltimento incontrollato dei dispositivi elettronici inquina l'ambiente: fare riferimento alla politica nazionale e locale sullo smaltimento dei rifiuti prima di eliminarli.

Questo prodotto contiene pacchi batterie che sono sostanze pericolose: contattare personale professionale per il riciclo.

Questo prodotto è progettato e realizzato con materiali e componenti riciclabili e di alta qualità.

In fase di smaltimento del prodotto, verificare che lo stesso venga smaltito correttamente come rifiuto industriale differenziato dai rifiuti generali e aziendali secondo le normative regionali e comunali, previa richiesta ad un addetto allo smaltimento dei rifiuti industriali.

* Se il prodotto è stato preso a noleggio, non può essere smaltito autonomamente. Contattare l'assistenza clienti. Quando si smaltisce il dispositivo, rimuovere la batteria e smaltirla correttamente secondo le normative per lo smaltimento dei rifiuti nella regione in cui si risiede.

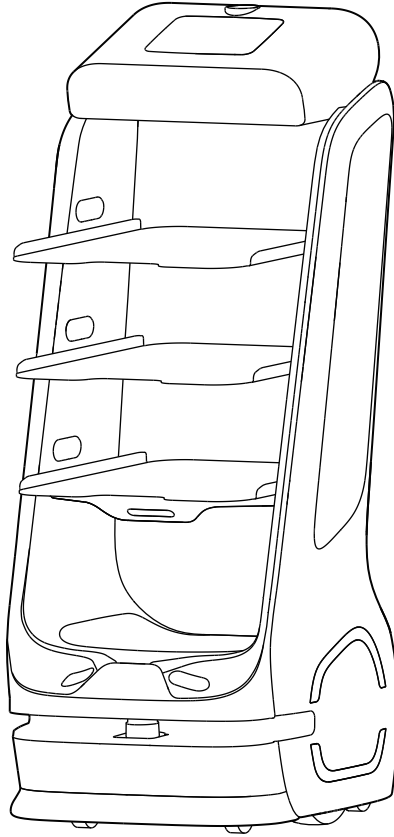


6. Risoluzione dei problemi

In caso di problemi, fare riferimento alle soluzioni riportate di seguito.

Problema	Soluzione
Impossibile accendere il robot	<p>① Quando la carica della batteria è bassa, ricaricare il robot con l'alimentatore.</p> <p>② Se il problema persiste, contattare l'assistenza clienti.</p>
Il robot non si muove	<p>① Premere il pulsante di arresto, spostare manualmente l'etichetta in un punto facilmente visibile, rilasciare il pulsante di arresto, quindi verificare se il robot si muove.</p> <p>② Se il problema persiste dopo l'operazione ①, spegnere l'interruttore di alimentazione principale e riaccenderlo quando il robot si trovi in un punto in cui l'etichetta è facilmente visibile al robot e riprovare.</p> <p>③ Se il problema persiste, contattare l'assistenza clienti.</p>
La navigazione non funziona	<p>① Se il robot è fuori mappa, spegnere l'interruttore di alimentazione principale, avvicinare il robot al punto di partenza e riavviare la navigazione.</p> <p>② Assicurarsi che il modulo del display non sia coperto da stoffa o altri oggetti. Rimuovere eventuale polvere.</p>
Il robot non produce né voce né suoni	<p>① Se non c'è voce o suono, o il volume è troppo basso, regolare il volume.</p> <p>② Se il problema persiste, contattare l'assistenza clienti.</p>
Il robot non funziona normalmente	Spegnere l'interruttore di alimentazione principale e contattare l'assistenza clienti.

دليل مستخدم روبوت التوصيل الذكي من Keenon
Keenon T5 Pro



Keenon Robotics Co.,Ltd.
احتفظ بدليل الإرشادات هذا للرجوع إليه في المستقبل

■ ملاحظة :

جميع الحقوق محفوظة Keenon Robotics Co., Ltd. © ٢٠٢٢ .
لا يجوز لأي فرد أو مؤسسة نسخ هذا للمستند أو إنشاء صورة منه أو تدوينه أو ترجمته، جزئياً أو كلياً،
أو نقله بأي شكل أو وسيلة (إلكترونيًا أو مصورًا أو مسجلًا أو نحو ذلك) لأي أغراض تجارية دون إذن
Keenon Robotics Co., Ltd. كتابي مسبق من
تُستخدم المواصفات والعلوم المذكورة عن المنتج هنا كمرجع فقط، وتخضع للتغيير دون إشعار
مسبق. يُستخدم دليل المستخدم هذا كدليل للاستخدام فقط، ما لم يُحدد خلاف ذلك

المحتويات

232	مقدمة
232	إرشادات السلامة
232	نبذة عن إرشادات السلامة
232	وصف الرموز
233	وصف الرموز الرسومية
238	مواصفات المنتج
238	الظهر والمكونات
239	للمواصفات
240	التشغيل
240	شحن الروبوت
242	التشغيل/إيقاف التشغيل
242	تشغيل زر الإيقاف
245	تحديد الوضع
255	صيانة الروبوت
255	الصيانة
255	العناية بهيكل الروبوت
256	تحريك الروبوت واستخدامه
256	النقل
257	التخلص
258	استكشاف الأعطال وإصلاحها

1. مقدمة

عبارة عن روبوت توصيل يساعد الموظفين في Keenon Robotics، الذي طوره Keenon T5 Pro، إن للطعام، والفنادق، والحانات ومتاجر البيع بالتجزئة

2. إرشادات السلامة

2.1 حول إرشادات السلامة

Keenon T5 قبل استخدام الروبوت، يُرجى فهم تعليمات الأمان للوضحة في دليل المستخدم لجهاز للشار إليه فيما يلي باسم "الدليل") ومراعاتها تمامًا.. الاحتياطات الواردة هنا مُعدة بغرض تجنب Pro إصابة المستخدمين وغيرهم من الأفراد والممتلكات. يُرجى الانتباه دائمًا

مسؤولية أي ضرر يلحق بالمستخدم أو أي جهة أخرى بسبب Keenon Robotics لن تتحمل شركة عطل أو تشغيل غير صحيح أو حدوث مشكلة أو غير ذلك في الروبوت أو مهائج الطاقة

يوفر هذا الدليل احتياطات السلامة لاستخدام الروبوت ومهائج الطاقة والإجراءات السليمة للتعامل معه وللعلومات التنظيمية الأخرى. لا تشمل الاحتياطات الواردة في هذا الدليل على جميع المواقف المحتملة. دائمًا ما تكون سلامة المشغلين والمشاة والأشخاص المحيطين بالروبوت هي الأولوية الأولى تحت أي ظرف من الظروف (على سبيل المثال، عندما لا يعمل الروبوت بشكل طبيعي أو عند انقلابه). انتبه دائمًا إلى الاحتياطات عند تركيب الروبوت واستخدامه واحتفظ بهذا الدليل في مكان يسهل الوصول إليه

2.2 وصف الرموز

توضح فئات الرموز التالية مدى الإصابة أو الضرر الناجم عن عدم الامتثال للتحذيرات والاستخدام غير السليم للروبوت أو الأدوات ذات الصلة. تأكد من فهم الرموز التالية تمامًا قبل قراءة هذا الدليل

تحذر رموز التحذير للمستخدمين من عمليات التشغيل الخطيرة التي قد تؤدي إلى حدوث عى أو إصابة أو حروق (درجة الحرارة المرتفعة أو المنخفضة) أو صدمة كهربائية أو كسور في العظام أو تسمم أو غير ذلك، مع مضاعفات طويلة المدى. تتطلب دخول المستشفى أو الإقامة في المستشفى لفترة طويلة



تحذير

تُشير رموز "التنبيه" إلى أن عدم الامتثال لهذه الاحتياطات قد يؤدي إلى حدوث إصابة أو حروق أو صدمة كهربائية أو غير ذلك، ولكن لن يصل الأمر إلى دخول المستشفى أو الإقامة في المستشفى لفترة طويلة



تنبيه

تُشير رموز "الملاحظة" إلى أن عدم الامتثال إلى الاحتياطات قد يؤدي إلى إتلاف المنازل والممتلكات وللواشي والحيوانات الأليفة أو إلحاق ضرر بها

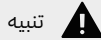


ملاحظة

2.3 وصف الرموز الرسومية



تحذير



تنبيه

■ تجنب استخدام أو شحن أو تخزين الروبوت وشاحن البطارية في المناطق ذات درجة الحرارة المرتفعة (بالقرب من الشرر أو ألسنة اللهب أو السخانات أو أشعة الشمس المباشرة أو في السيارة في الطقس الحار، أو غير ذلك)، أو الأماكن الدافئة أو الأماكن التي تتراكم فيها الحرارة (على سبيل المثال، أسفل الشعاع أو البطاطين الكهربائية). تأكد من توفير التهوية الجيدة وحافظ على الروبوت وشاحن البطارية خاليين من أي أقمشة تغطية

■ لأسباب تتعلق بالسلامة، لا تستخدم الروبوت في الظروف التالية
 ① لا تُعرض الروبوت لبيئة مليئة بالأتربة أو الرمال أو الثلج أو الجليد أو الماء أو الرطوبة أو المياه المالحة أو الرذاذ للحلي (كالبيئة البحرية والبيئة الساحلية)؛
 الروبوت مصمم للاستخدام الداخلي فقط. قد يؤدي استخدام الروبوت في الأماكن الخارجية إلى حدوث عطل بمكونات الجهاز والأشياء المحيطة أو إتلافها أو إلحاق ضرر بها بسبب العوامل الطبيعية والأحداث الأخرى غير المتوقعة

بخلاف ذلك، قد يؤدي هذا إلى حدوث إصابة أو عطل أو تلف بالأشياء المحيط

② المناطق التي يوجد بها كَرَج يزيد ارتفاعه عن ٠,٥ سم (مثل السطح الخشن)؛

③ المنحدرات الممتدة؛

④ منطقة لعب الأطفال؛

⑤ المناطق التي توجد بها أشياء عاكسة أو شفافة (مثل الأبواب الأوتوماتيكية والنوافذ والرايا وألواح

الأكريليك وما إلى ذلك)؛

⑥ الأسطح التي تحتوي على شريط أسود (المواد العاكسة للضوء بشكل منخفض للغاية) أو المناطق

المتصلة بأشياء شبيهة؛

⑦ بالقرب من السلالم أو السلالم المتحركة؛

⑧ في الأماكن الخارجية؛

⑨ الأماكن التي تحتوي على ضوء شمس قوي، كالأماكن القريبة من النوافذ؛

⑩ المناطق القريبة من معدات الأشعة تحت الحمراء، مثل الأبواب الأوتوماتيكية؛

⑪ يجب ألا يقل طول المرع عن ٠,٧ أمتار كي يتمكن الروبوت من المرور. يسمح للمر الذي يزيد عرضه على

متر ونصف لروبوتين بالتحرك وجهاً لوجه، وإلا، ستمر الروبوتات عبر المر واحداً تلو الآخر

■ لا تضع أي زخارف حيث إنها قد تعيق عمل الروبوت والشاشة التي تعمل باللمس

- لا تدفع الروبوت أثناء تشغيله
- لا تستخدم الروبوت في الأماكن ذات السلالم أو الأرضيات غير المستوية (مثل بلاط اللوزايك والسجاد ذي الوبر الذي يزيد طوله على 1 سم) أو الأسطح المنحدرة أو الأرضيات الرطبة أو كاميرا وحدة الصورة بشكل صحيح RGB-D خلافاً لذلك، قد لا يعمل مستشعر الليدار أو كاميرا وقد ينقلب الروبوت أو يسقط، مما يؤدي إلى حدوث إصابة أو إلحاق ضرر بالأشخاص والأشياء المحيطة
- حافظ دائماً على نظافة الممر الذي يستخدمه الروبوت في حالة مرور الروبوت فوق عوائق أو أشياء صغيرة كالشوكات والملاعق وأعواد الأكل، قد تسقط الأشياء فوق الصينية مما يؤدي إلى حدوث إصابة أو عطل أو جعل الروبوت غير قابل للاستخدام
- هذا الروبوت ذو العجلات مخصص للاستخدام في الأماكن الداخلية على الأسطح المستوية (الأسطح اللساء التي تحتوي على منحدر أقل من 5 درجات ومطبات أقل من 1 سم). لا تستخدم الروبوت في الأماكن الخارجية (مثل الشرفات الفتوحة) والأرض الوعرة (مثل السلالم) والبيئات الأخرى
- عند شحن الروبوت، استخدم فقط شاحن البطارية الأصلي وسلك الطاقة المخصص للتوفر مع الروبوت
- لا تدفع الروبوت أثناء التشغيل
- لا تستخدم شاحن البطارية في الأماكن الممتلئة بالأتربة أو الملح أو الغاز للسبب للتآكل أو المواد القابلة للاشتعال وإلا، قد يتسبب ذلك في نشوب حريق أو حدوث إصابة أو صدمة كهربائية أو تلف أو عطل أو سخونة زائدة أو تسرب أو كسر. لا تلمس أي مصدر طاقة أو تيار كهربائي بأيدي مبتلة باستثناء كابل المهابئ
- لا تستخدم شواحن بطارية أو أسلاكاً كهربائية تالفة
- شاحن البطارية مصمم ليوضع على جانبه. لا تستخدمه بشكل عمودي أو مقلوب
- تأكد من فصل سلك الطاقة عن القبس قبل الصيانة أو عند عدم استخدام شاحن البطارية لفترة طويلة
- عند توصيل سلك الطاقة بشاحن البطارية، لا تخطو على سلك الطاقة ولا تستخدم القوة المفرطة عليه. لا تلمس الشاحن لفترة طويلة أثناء الشحن
- لا تلقي الشاحن ولا تدهسه سواء أكان متصلاً أم لا. لا تستخدم القوة المفرطة عليه، كوضع أشياء فوقه أو دهنه
- اشحن الروبوت في الأماكن الداخلية فقط. لا تستخدمه في الأماكن الخارجية، مثلالشارع
- لا تستخدم بطاريات أو مهايئات طاقة أو وحدات شحن من أي جهات أخرى. لا تفك البطارية أو وحدة الشحن ولا تصلحهما ولا تعدلهما دون ترخيص
- لا تطبخ (كالخبز والشوي) فوق الروبوت وإلا، قد يتسبب ذلك في نشوب حريق أو حدوث إصابة أو صدمة كهربائية أو تلف أو عطل

أو سخونة زائدة أو تسرب أو كسر

■ لا ترش الماء على الروبوت
على الرغم من تصميم الروبوت ليكون مقاومًا للترتية والتقطير، إلا أنه ليس مقاومًا للماء بشكل كامل. في حال انسكاب مواد سائلة من الصينية، امسحها على الفور بقطعة قماش ناعمة وجافة وجفف الصينية بالهواء. قد يؤدي تسرب اللواد السائلة إلى الروبوت أو شحنه وهو مبلل إلى السخونة الزائدة أو حدوث صدمة كهربائية أو نشوب حريق، أو حدوث إصابة أو عطل

■ لا تسمح للسوائل مثل المشروبات أو غيرها من الأشياء الغريبة بالدخول إلى الجزء الداخلي من الروبوت

■ لا تضع أشياء تتجاوز ارتفاع الصينية وتعيق أجهزة استشعار الروبوت وإلا، قد يؤدي ذلك إلى حدوث عطل أو تلف بالأشياء المحيطة

■ لا تضع أشياء تتجاوز سعة التحميل على الصينية. وإلا، قد يؤدي ذلك إلى حدوث إصابة أو عطل أو تلف بالأشياء المحيطة أو جعل الروبوت غير قابل للاستخدام

① سعة التحميل عند استخدام ٣ صواني: ١٠ كجم لكل منهما (إجمالي 40 كجم)
② سعة التحميل عند استخدام الصينية على الطبقة الرابعة (الصينية السفلية) فقط: ١٥ كجم

■ لضمان نظافة الطعام، لا تترك الطعام دون رقابة أو بعيدًا عن متناول اليد

■ لا تستخدم أطباقًا أو أواني أكبر من صينية الروبوت. وإلا، قد يعيق ذلك للمستشعرات ويسبب عطلًا

■ لا تستخدم الروبوت في بيئة رعاية صحية أو بالقرب من معدات طبية كهربائية

■ هذا الروبوت غير مصمم ليستخدمه الأشخاص (بما في ذلك الأطفال) الذين يعانون من ضعف في الصحة البدنية أو الإعاقات الحسية أو العقلية أو تنقصهم الخبرة والمعرفة ما لم يخضعوا للإشراف أو يتلقوا إرشادات بشأن كيفية استخدام الروبوت بطريقة آمنة. يجب الإشراف على الأطفال للتأكد من عدم العبث بالروبوت

هذا الروبوت غير مخصص للاستخدام من قبل الأطفال الأقل من عمر ٨ سنوات والأفراد الذين يعانون من نقص في قدراتهم البدنية أو الحسية أو العقلية أو الذين ليست لديهم معرفة أو خبرة ما لم يتلقوا إشرافًا أو إرشادات بشأن كيفية استخدام الروبوت بطريقة آمنة وفهم المخاطر التي ينطوي عليها استخدام الروبوت. ينبغي ألا يعبت الأطفال بهذا الروبوت. يجب ألا يقوم الأطفال بالتنظيف أو الصيانة المنزلية دون رقابة

■ غير مسموح للمستخدم باستبدال حزمة البطارية

■ عند تخزين البطارية بشكل منفصل: يُرجى استخدام جهاز شحن مخصص لشحن البطارية لمدة ساعتين كل شهر

■ اشحن الروبوت في المناطق غير للأهولة أو الأماكن المغلقة أو الأماكن التي لا يمكن الوصول إليها إلا بواسطة فني الصيانة

■ لا تستخدم جهازك في بيئة رطبة

■ يجب أن تكون درجة حرارة شحن البطارية ١٠ درجات مئوية- ٤٠ درجة مئوية

- لا تُعرض جهازيك لمناطق بها أشياء قابلة للاشتعال والانفجار
- لا تُشغل جهازيك في أماكن يحظر فيها استخدامه
- لضمان السلامة في أثناء القيادة، لا يمكن للقائد تشغيل الجهاز بينما تتحرك السيارة
- استخدم قطعة قماش جافة وناعمة لتنظيف الجهاز؛ لا تستخدم المياه أو الكحول أو المنظفات أو أي مواد كيميائية
- احتفظ بشاحن وبطارية الجهاز بعيدًا عن متناول الأطفال لتجنب تعرضهم للإصابة العرضية أو بلع أي جزء. ينبغي على الأطفال استخدام الجهاز تحت إشراف البالغين
- اتبع جميع القواعد واللوائح السارية على المنتجات المحمولة في المستشفيات ومرافق الرعاية الصحية استخدم البطارية للرفقة مع المنتج فقط
- يُرجى الانتباه إلى حيواناتك الأليفة وعدم تركها تركز حول الروبوت
- لا تحدد في مصدر الضوء لفترة طويلة لا تزيد عن 100 ثانية

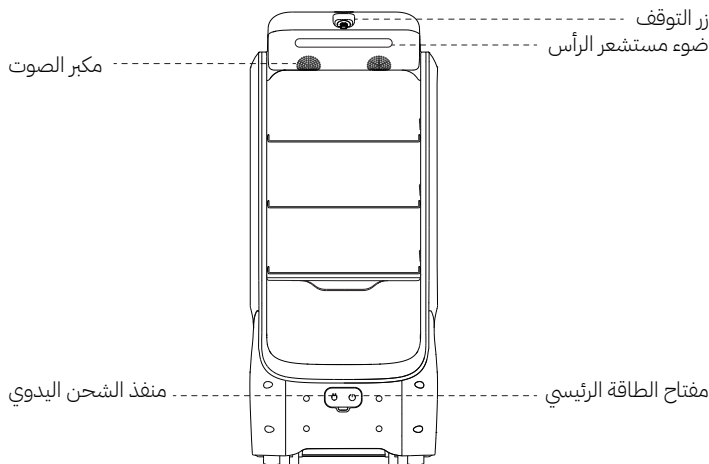
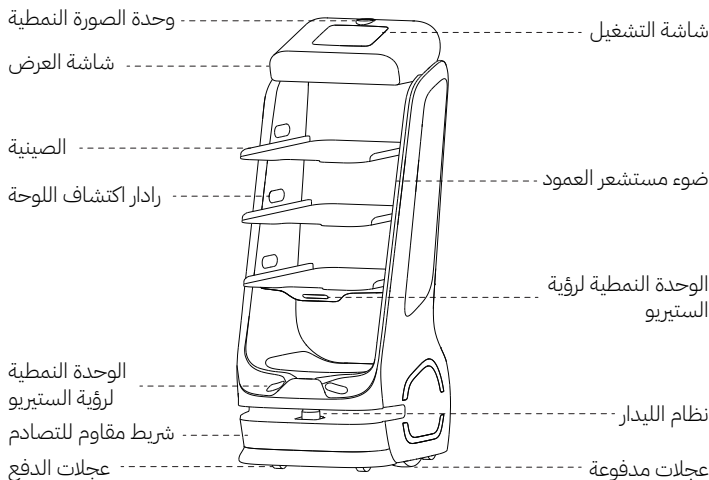
ملاحظة

- يجب أن يقرأ المشغل هذا الدليل ويفهم جيدًا طريقة استخدام الروبوت بشكل صحيح قبل استخدامه
- تأكد من فصل المهربي عن القبس قبل تشغيل الروبوت أو تحريكه وإجراء الصيانة
- لا تقلب الروبوت أو تسقطه عند تحريكه أو التعامل معه
- وإلا، قد يتسبب ذلك في نشوب حريق أو حدوث إصابة أو صدمة كهربائية أو تلف أو عطل أو سخونة زائدة أو تسرب أو انفجار كيميائي أو ضرر للروبوت أو شاحن البطارية
- عند توصيل أطباق ساخنة أو غير ثابتة (كالمواد السائلة في الأكواب والحساء في السلطانيات)، أجرِ تجربة مسبقًا للتأكد من عدم تسرب سوائل أو قطرات أثناء التشغيل
- عند وضع أشياء ثقيلة أو العديد من الأطباق على الصينية، ضعها في المنتصف للحفاظ على الثبات
- وإلا، قد يؤدي ذلك إلى حدوث عطل أو تسرب للمواد السائلة أو سقوط الأطباق
- عند توصيل أشياء ثقيلة، ضعها فوق الصينية السفلى واجعل الروبوت يسير على سطح مستو
- وإلا قد يؤدي ذلك إلى انسكاب السائل أو حدوث تلف للأشياء المحيطة أثناء التشغيل
- عند استخدام الروبوت، حافظ دائمًا على ملامسة العجلات للأرضية
- وإلا، قد يؤدي ذلك إلى حدوث عطل أو تلف بالأشياء المحيطة
- تأكد من إمكانية استجابة المشغل على الفور لأي موقف مفاجئ قد يحدث أثناء تحرك الروبوت. عند الشك في وجود أي خطر، اضغط على زر الإيقاف، وإلا قد يتسبب ذلك في حدوث إصابة أو إلحاق ضرر باستخدام أو بأطراف أخرى أو بالأشياء المحيطة

- استخدم الروبوت في بيئة تتراوح درجات الحرارة فيها بين ٤٠ و ٠ درجة مئوية ونطاق رطوبة يتراوح بين ٥٪ و ٨٥٪. قم بتخزين الروبوت في مكان جاف وخالي من الأتربة تتراوح درجات الحرارة فيه بين ٣٠- و ٦٠ درجة مئوية ونطاق رطوبة يتراوح بين ١٠٪ و ٩٠٪. وإلا، فقد يتسبب الأمر في نشوب حريق أو حدوث إصابة أو صدمة كهربائية أو تلف أو عطل أو سخونة زائدة أو تسرب أو انفجار كيميائي أو ضرر آخر للروبوت أو شاحن البطارية
- في حال حدوث تغييرات كبيرة في البيئة الداخلية (كتجديد المكان أو استخدام الروبوت في مكان جديد أو إعادة ترتيب الأشياء الموجودة في المكان مثل الوجّهات والكراسي والطاولات)، يجب إعادة تعيين الخريطة

3. مواصفات المنتج

3.1 المظهر والمكونات



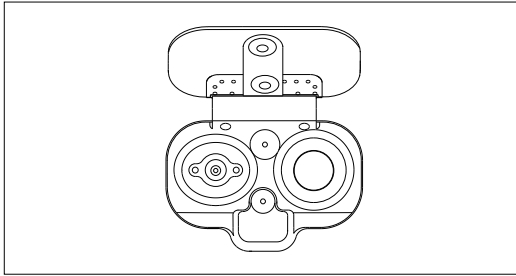
3.2 المواصفات

المواصفات	العنصر
Keenbot T5 Pro	الطراز
م506 × م502 × م1205	أبعاد الروبوت (الطول × العرض × الارتفاع)
الطبقة الأولى: م486 × م384 × م186 الطبقات الأخرى: م486 × م384 × م166	أبعاد الصينية (الطول × العرض × الارتفاع)
61.5 كجم	الوزن (وحدات الشحن غير مضمنة)
10 كجم	السعة القصوى لكل طبقة
0.9 م/ث	سرعة السير القصوى
G4، واي فاي	واجهة الشبكة
48 فولت تيار مستمر بجهد 12 أمبير	سعة البطارية
50 واط	الطاقة
تيار الاستعداد > 1.5 أمبير	القدرة - تيار الاستعداد
10~12 ساعة	عمر البطارية - العمر
20000 ساعة	التشغيلي
الرطوبة: 5% ~ 85%، °C 40 ~ °C	درجة حرارة تشغيل الروبوت/نطاق الرطوبة
في الأماكن الداخلية 300~20000 لكس	السطوع
الأماكن الداخلية الجافة ذات الأرضيات المسطحة واللساء	بيئة العمل
درجة الحرارة: 30~60 درجة مئوية الارتفاع: لا يزيد عن 1000 متر	بيئة التخزين

4. التشغيل

4.1 شحن الروبوت

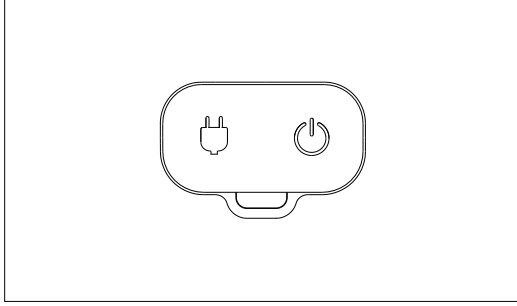
- ☑ اشحن الروبوت بالكامل عند استخدامه للمرة الأولى أو عند وصول مستوى البطارية إلى أقل من ٢٠٪
- ☑ يكتمل الشحن عند تحول لون مؤشر للمهاي إلى اللون الأخضر
- ☑ لا تستخدم الروبوت أثناء الشحن
- ☑ اشحن الروبوت بالكامل مرة كل شهرين عند ترك الروبوت دون استخدام لفترة طويلة
- افتح الغطاء للمطاطي لمنفذ الشحن اليدوي في ظهرالروبوت، ووصل المهاي بمنفذ الشحن



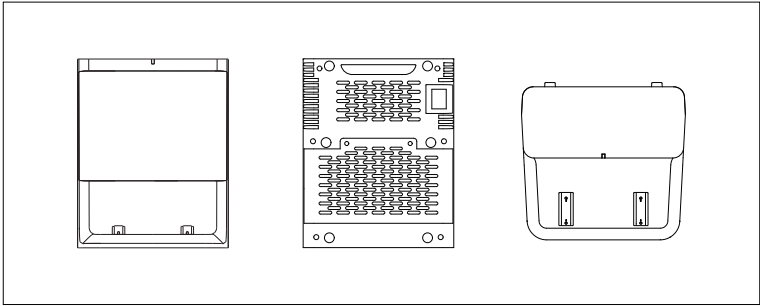
- يتحول لون مؤشر المهاي إلى اللون الأحمر عند بدء الشحن. لمس الشاشة وانتقل إلى شاشة الشحن، والتي تُظهر أن الشحن قيد التقدم



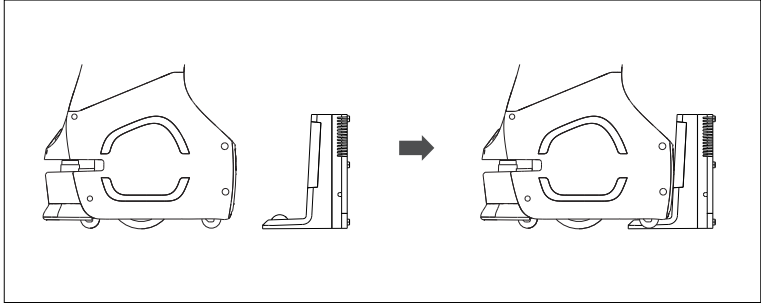
■ افصل اللهائي وأغلق الغطاء المطاطي



يوضح الشكل التالي تركيب وحدة الشحن الخاصة بروبوت توصيل الطعام المتعدد الطبقات



■ اشحن الروبوت في المناطق غير المأهولة أو الأماكن المغلقة أو الأماكن التي لا يمكن الوصول إليها إلا بواسطة فني الصيانة. يحتوي الروبوت على خاصية الشحن التلقائي الذكي. سيحدد الروبوت تلقائيًا موقع وحدة الشحن ويقوم بمطابقتها والاتصال بها للشحن التلقائي عند انخفاض مستوى البطارية إلى ٥% أو عند إرساله للشحن يدويًا



4.2 التشغيل/إيقاف التشغيل

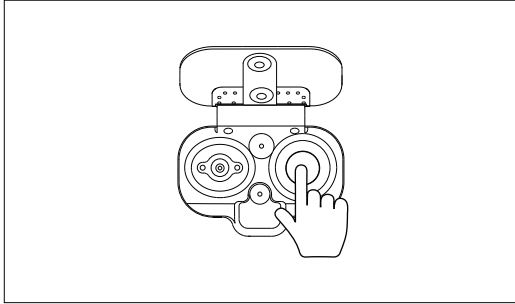
يوجد المفتاح الرئيسي في الجزء الخلفي من الروبوت، على الجانب الأيمن تحت الغطاء المطاطي

■ التشغيل

اضغط على المفتاح الرئيسي مرة واحدة لتشغيل الروبوت، والذي سيستغرق ٤٠ ثانية تقريبًا

■ إيقاف التشغيل

اضغط على المفتاح الرئيسي مرة واحدة لإيقاف تشغيل الروبوت، بطريقة التشغيل نفسها

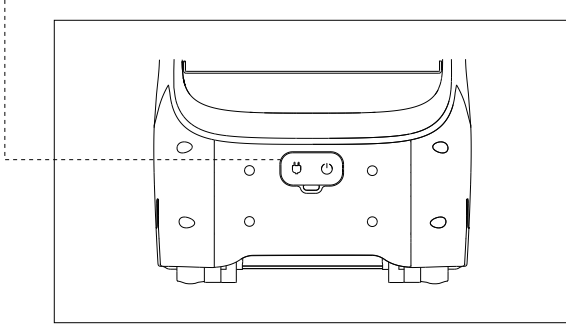


4.3 تشغيل زر الإيقاف

في الحالات التالية، أوقف الروبوت من خلال الضغط على زر الإيقاف: تحريك الروبوت يدويًا أثناء عمل

- ⊗ عدم عمل الروبوت بشكل طبيعي (مثل التحرك في اتجاه مختلف عن
- ⊗ الاتجاه المحدد له) واحتمالية التسبب في أضرار بالبيئة المحيطة

ملاحظة: افتح الغطاء المصنوع من السيليكون أسفل الهيكل وشغله من خلال الضغط على الزر الأحمر على اليمين



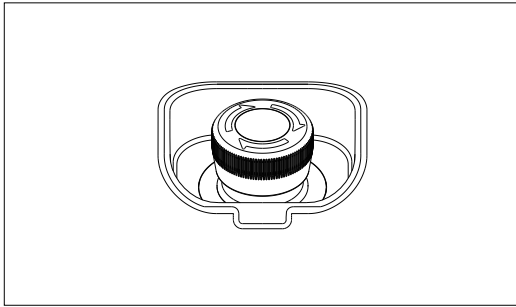
■ التعامل في حالات الطوارئ

في حالة عدم عمل الروبوت بشكل طبيعي أو في أي حالة طوارئ تمثل تهديدًا للبيئة المحيطة، يمكنك إيقاف الروبوت من خلال الضغط على مفتاح الإيقاف في حالات الطوارئ أعلى الروبوت

زر الإيقاف في حالات الطوارئ

بعد التأكد من عودة الروبوت إلى حالته الطبيعية، قم بتدوير المفتاح برفق في الاتجاه المشار إليه في مفتاح الإيقاف في حالات الطوارئ في الأعلى واجعل الروبوت يستأنف التشغيل الطبيعي

ملاحظة: إذا تم الضغط على زر الإيقاف في حالات الطوارئ على منحدر، فسيطلق الروبوت طاقة حركية وسيواصل الحركة بسبب القصور الذاتي، مما قد يتسبب في حدوث إصابة



■ الحماية بتجنب العوائق

يستخدم المنتج مخطط اندماج يحتوي على أجهزة استشعار متعددة لتقدير العوائق التي تواجهه. في حالة حدوث موقف خطير، يمكن للروبوت التباطؤ والتوقف والتحكم في السرعة الزائدة وغير ذلك من وظائف تجنب العوائق بناءً على تقديره الخاص، بالإضافة إلى إصداره أمرًا صوتيًا. إذا كان المسار مزدحمًا ولم يتمكن الروبوت من تجنب العائق، واستمر في إصدار تنبيه صوتي وضوئي، يُرجى الضغط على مفتاح الإيقاف في حالات الطوارئ لتحريك الروبوت بعيدًا أو إزالة العائق

■ للوجهات المرئية والصوتية

الإضاءة المحيطة	ضوء الرأس	ضوء العمود	
أحمر ثابت	أحمر ثابت	أصفر وامض	التصادم
أزرق ثابت	أزرق ثابت	أصفر وامض	الفقدان (فقدان اللصقات)
أحمر ثابت	أحمر ثابت	أصفر وامض	التوقف في حالات الطوارئ
أزرق ثابت	أزرق ثابت	أزرق متناغم	التحرك
أزرق ثابت	أزرق متدفق (على جانب اتجاه الدوران)	أزرق متناغم	التوجيه

4.4 تحديد الوضع

يأتي الروبوت بخمسة أوضاع لسيناريوهات مختلفة: وضع التوصيل ووضع توصيل الوجبات الخفيفة ووضع الجهات المتعددة ووضع التوصيل المباشر ووضع عيد الميلاد

وضع التوصيل


في وضع التوصيل، يمكن للروبوت توصيل الطعام لطاولات متعددة في جولة واحدة. بعد وضع الأطباق التي طلبها عملاء مختلفون فوق الصواني وإدخال أرقام الطاولات، سيخطط الروبوت أفضل مسار تلقائيًا للتوصيل لأسرع توصيل



وضع توصيل الوجبات الخفيفة


في وضع توصيل الوجبات الخفيفة، يدور الروبوت على طول مسار محدد مسبقًا مع مشروبات الخدمة الذاتية أو الحلوى أو اللواد الترويجية ويدعو العملاء لتجربة الأطعمة أو أخذ العينات عن طريق الصوت أو شاشة العرض

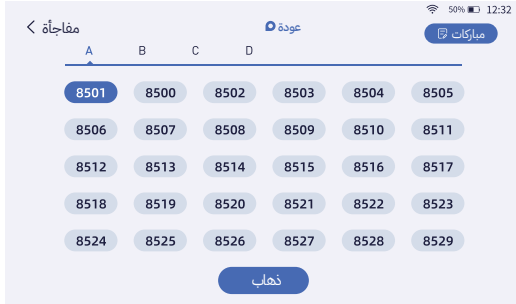


وضع التوصيل المباشر  في وضع التوصيل المباشر، يقف الروبوت عند نقطة الاستلام ويخدم أي طاولة حسب التوجيهات. بعد التوصيل، ينتظر الروبوت هناك لأداء المهمة التالية بدلاً من الرجوع تلقائيًا. يُستخدم هذا الوضع في الغالب في خدمات الوجبات السريعة في المطاعم والسيناريوهات المماثلة الأخرى



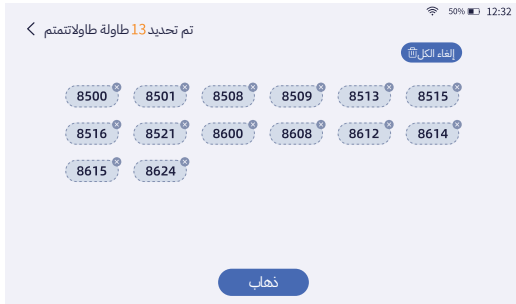


وضع المفاجأة  في وضع المفاجأة، يمكن للروبوت تشغيل الأعمالي للاحتفال بعيد ميلاد العميل أو أيام العطلات الأخرى بعد وصوله إلى الوجهة المحددة. يمكن تخصيص الأمنيات، مثل "عيد ميلاد سعيد يا ***"، ما يمنح العملاء أطيب التمنيات والمفاجآت السارة.



وضع الوجبات المتعددة

في وضع الوجبات المتعددة، الذي يشبه وضع توصيل الوجبات الخفيفة، يمكن تحديد ما يصل إلى ٣٠ رقم طاولة



وظيفة الشعار

يمكن تمكين وظيفة الشعار في صفحة الإعدادات. شغّل وظيفة الشعار في صفحة الإعدادات، وأدخل النص للتمرير بشاشة العرض. على سبيل المثال، "مرحبًا بكم في ... (اسم المتجر)". انقر فوق (حفظ) بعد إدخال النص. يتم تمرير الشعار تلقائيًا على شاشة الروبوت بدلاً من الرموز. لا Save تؤثر وظيفة الشعار على حركة الروبوت في أي وضع.



■ وضع التوصيل

- يُستخدم وضع التوصيل بصفة عامة لتوصيل الطعام إلى الطاولة المحددة بالخطوات التالية
- ① حدد وضع التوصيل إلى موقع الاستلام؛
 - ② ضع الأطباق فوق الصواني (صينية واحدة لطاولة واحدة فقط)؛
 - ③ ضع الصينية التي تحتوي على الأطباق فوق الشاشة وأدخل رقم الطاولة الوجهة؛
 - ④ بعد إدخال رقم الطاولة، اضغط على بدء التوصيل ليبدأ الروبوت المهمة؛
 - ⑤ يصل الروبوت بسرعة إلى الوجهة من خلال السير على طول المسار المحدد مسبقًا. أثناء التوصيل، يمكنك الضغط على أمر الإيقاف على شاشة الروبوت لإيقاف الروبوت مؤقتًا على الفور؛
 - ⑥ عند إيقاف مهمة التوصيل مؤقتًا لمدة ٣٠ ثانية (٣٠ ثانية افتراضيًا و٥ دقائق كحد أقصى)، يمكنك إعطاء أوامر مختلفة للروبوت (تعديل المهمة، إنهاء المهمة الحالية، إنهاء جميع المهام) خلال هذا الوقت؛ إذا لم يتم إعطاء أمر على شاشة اللمس خلال الوقت المحدد، فسيواصل الروبوت مهامه؛
 - ⑦ بعد الوصول إلى الوجهة، سيصدر الروبوت أمرًا صوتيًا (تفضل طعمكم)؛
 - ⑧ بعد الضغط للتأكيد، سينفذ الروبوت المهمة التالية أو يعود إلى موقع الاستلام وينتظر مهمة جديدة؛
 - ⑨ من خلال التحقق من مسار الروبوت في المهمة السابقة، يمكنك العثور على الوجهة





■ وضع توصيل الوجبات الخفيفة

يُستخدم وضع توصيل الوجبات الخفيفة بصفة عامة عندما ينتقل الروبوت في بيئة تحتوي على منطقة واسعة مخصصة بالخطوات التالية:

- ① حدد وضع توصيل الوجبات الخفيفة إلى موقع الاستلام؛
- ② حدد مسارًا معينًا؛
- ③ انقر للتأكيد، وسيبدأ الروبوت المهمة؛
- ④ سيصدر الروبوت مطالبة صوتية أثناء التوصيل، ليذكر العملاء باستلام الوجبات الخفيفة. انقر فوق أمر الإيقاف على شاشة الروبوت لإيقاف الروبوت مؤقتًا على الفور أثناء توصيل الوجبات الخفيفة. إذا لم يتلقَ الروبوت أمرًا جديدًا خلال ٥ ثوانٍ؛ فستابع مهامه؛
- ⑤ لاستلام الوجبات الخفيفة، قف أمام الروبوت أو لس شاشته، سيتوقف عن الحركة على الفور وسيعرض على شاشته أن الروبوت متوقف مؤقتًا كي يتمكن العملاء من استلام الوجبات الخفيفة بأنفسهم





■ وضع المفاجأة

صمم وضع توصيل الوجبات الخفيفة خصيصًا لعمل مفاجآت سارة للعملاء، كما هو موضح في الخطوات التالية:

- ① حدد وضع المفاجأة في موقع أخذ الطلبات؛
- ② تحديد النص) في الركن الأيسر) Text Selection انتقل إلى صفحة "وضع المفاجأة" واضغط على السفلي؛
- ③ (حفظ) Save أدخل نص للباركة، وحدد الموسيقى، وانقر فوق؛
- ④ (البدء) Start حدد رقم الجدول الوجهة وانقر فوق؛
- ⑤ بعد وصول الروبوت إلى الوجهة، سيقوم تلقائيًا بتشغيل الموسيقى وتمرير نص الأمنيات على الشاشة

مفاجأة < عودة > مميزات

A	B	C	D		
8501	8500	8502	8503	8504	8505
8506	8507	8508	8509	8510	8511
8512	8513	8514	8515	8516	8517
8518	8519	8520	8521	8522	8523
8524	8525	8526	8527	8528	8529

تطلب

تخصيص للباركات < حفظ >

نيابة عن طاقم العمل بأكملهم، أقدم لك خالص الترحيب.

بعد حفظ نص للباركة بنجاح، سيبدأ تأثيره عندما يصل الروبوت للكلف بمهمة للمفاجأة إلى الوجهة.

5.0 م



8501

انقر في أي مكان على الشاشة للإيقاف المؤقت

5. صيانة الروبوت

5.1 الصيانة

■ الروبوت

- ① قبل مسح الغبار من على الروبوت، تأكد من فصل المهايغ عن اللقبس ومن فصل المهايغ عن الروبوت
- ② ووحدة الصورة العليا باستخدام قطعة قماش مصنوعة من RGB-D نظف مستشعر الليدار وكاميرا من الألياف الصغيرة يوميًا
- * لا تتوفر قطع القماش للمنوعة من الألياف الصغيرة مع الروبوت. يُرجى إعداد قطعة قماش خاصة بك.
- ③ بعد استخدام الروبوت، نظف الأوساخ بقطعة قماش ناعمة ومبللة وناعمة وامسح الروبوت حتى يجف تمامًا بقطعة قماش جافة
- ④ استخدم مطهر الإيثانول لتطهير السطح الخارجي للروبوت. لا ترش السائل مباشرة على الروبوت. استخدم قطعة قماش مبللة بالمطهر لتنظيف الروبوت.
- ⑤ افحص الجزء السفلي من الروبوت بانتظام ونظفه كل ستة أشهر
- ⑥ يحتاج الجهاز إلى فحص وتنظيف المعدات المتعلقة بالسلامة وفحص وظائف السلامة (مثل وظيفة التوقف في حالات الطوارئ ووظيفة تجنب العوائق والتنبيه الصوتي والضوئي، وما إلى ذلك) كل ستة أشهر. قبل أسبوع واحد من تاريخ انتهاء الصلاحية، سيتوقف الجهاز عن العمل وستظهر رسالة منبثقة تذكر بضرورة الصيانة. بعد رؤية التنذير، يُرجى الاتصال بموظفي صيانة ما بعد البيع للتخصصين لإجراء الفحص والصيانة في الوقت المناسب في الموقع. تجنب التأثير على التشغيل الطبيعي للجهاز
- ⑦ من الضروري التحقق من البيئة التي يُستخدم فيها الروبوت كل يوم، مثل انحدار الأرض واستوائها، وما إذا كانت ملصقات التنقل كاملة، وما إذا كانت معدات الإضاءة في الموقع قديمة أو تالفة. وما إذا كانت شدة الإضاءة للحبطة في نطاق ٣٠٠ ~ ٢٠٠٠ لكس
- ⑧ عند وجود بقع ماء أو زيت على الجهاز أو الأرض، يُرجى تنظيفها في الحال

■ عجلة الإدارة والعجلة المدارة

- ① أزل الشعر والغبار العالق بالعجلة
- ② لتنظيف العجلات المدارة، أزلها من الروبوت وامسح الروبوت بقطعة قماش مبللة
- ③ عند اتساخ الروبوت، ضعه على جانبه على سطح ناعم وامسحه باستخدام قطعة قماش مبللة بمنظف محايد
- * ارتدِ قفازات أثناء تفكيك الروبوت لتجنب حدوث إصابة
- بالنسبة لحزمة البطارية، يجب أن تتصل بالمنتج من أجل خدمة الصيانة والاستبدال بعد البيع

5.2 العناية بهيكل الروبوت

- تأكد من إيقاف تشغيل الروبوت وشحن البطارية بعد الاستخدام
- ① أوقف تشغيل الروبوت لتخزينه عند عدم استخدامه

- ② خزن الروبوت في مكان بحيث لا يعيق الوصول إلى الأبواب أو السلالم أو معدات إطفاء الحريق
- ③ خزن الروبوت دائمًا في الأماكن الداخلية الجافة الخالية من الرطوبة

5.3 تحريك الروبوت والتعامل معه

ارفع الروبوت أو ادفعه بكلتا يديك

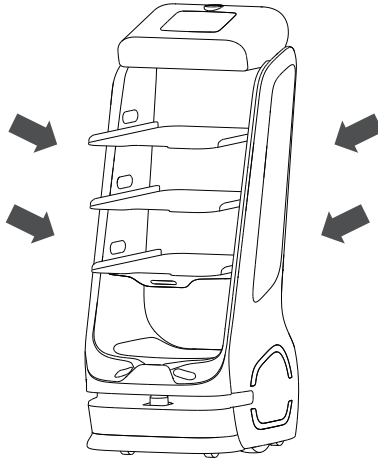
■ رفع الروبوت وتحريكه

أمسك الجانبين بكلتا يديك وارفع الجهاز (السهم موجود في الصورة) مع الحفاظ على الوضع القائم.

■ دفع الروبوت وتحريكه

استخدم كلتا يديك لتحريك الروبوت من خلال دفع الجانبين (للمواضع محددة بالأسهم في الشكل بالأسفل)

* لا تسحب الجزء السفلي من الروبوت لأعلى ولا تميله ولا ترفع الصينية أو الثقب المجاور لمستشعر الليدار ولا تسحب الجزء الأمامي أو العلوي. وإلا، فقد يتلف الروبوت.



5.4 النقل

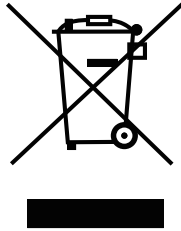
أثناء النقل، يُرجى اتباع اتجاه السهم الموجود على الصندوق، لا تضعه مستويًا ولا مقلوبًا. عند فك التغليف، يُرجى إبقاء الجهاز في الاتجاه للشار إليه على الصندوق، وإزالة حزام التغليف، وإزالة الصندوق الخارجي من الأسفل إلى الأعلى، وإزالة مخطط التعبئة، ونقل الجهاز إلى الموقع المحدد وفقًا للطريقة الموضحة في ٥،٣.

5.5 التخلص

سيؤدي التخلص من الأجهزة الإلكترونية إلى تلويث البيئة، يُرجى الرجوع إلى سياسة إعادة تدوير النفايات الوطنية للحلية قبل التخلص منها. يحتوي هذا المنتج على حزم البطاريات، التي تُعد مواد خطيرة، يُرجى الاتصال بالوظفين المتخصصين لإعادة التدوير

هذا المنتج مُصمم ومُصنع باستخدام مواد ومكونات عالية الجودة قابلة لإعادة التدوير عند التخلص من المنتج، تأكد من التخلص منه بصورة صحيحة كنفايات صناعية تختلف عن النفايات العامة والتجارية وفقاً للوائح الإقليمية والبلدية، وذلك بتقديم طلب إلى إحدى جهات التخلص من النفايات الصناعية

* إذا كان المنتج مؤجراً، فلا يمكنك التخلص منه بنفسك. تواصل مع دعم العملاء. عند التخلص من الجهاز، انزع البطارية منه وتخلص منها على نحو صحيح وفقاً للوائح التخلص من النفايات في المنطقة التي تعيش فيها

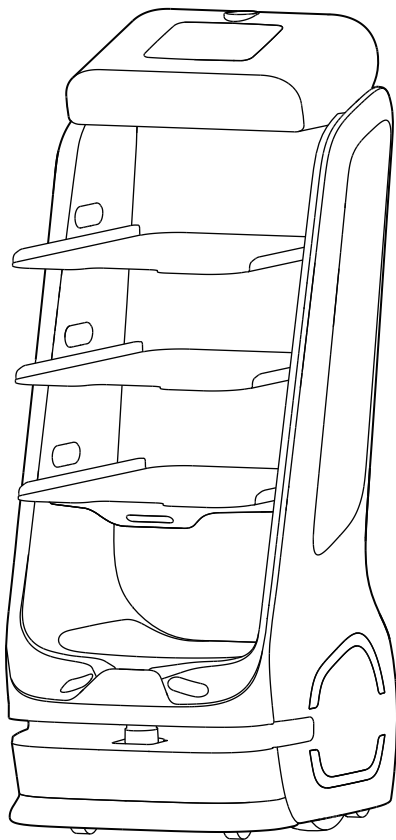


6. استكشاف الأعطال وإصلاحها

في حال حدوث أي مشكلة، يُرجى الرجوع إلى الحلول الموضحة بالأسفل.

الحل	المشكلة
<p>① عند انخفاض مستوى شحن البطارية، اشحن الروبوت باستخدام مهياج الطاقة.</p> <p>② إذا استمرت المشكلة، يُرجى الاتصال بدعم العملاء</p>	يتعذر تشغيل الروبوت
<p>① اضغط على زر الإيقاف، وانقل اللصق يدويًا إلى مكان يسهل رؤيته، ثم حرر زر الإيقاف، وتحقق مما إذا كان الروبوت يتحرك مرة أخرى.</p> <p>② إذا استمرت المشكلة بعد التشغيل ①، فأوقف تشغيل مفتاح الطاقة الرئيسي، وشغله عند وجود الروبوت في مكان يكون فيه اللصق مرئيًا بسهولة للروبوت وحاول مرة أخرى.</p> <p>③ إذا استمرت المشكلة، يُرجى الاتصال بدعم العملاء</p>	الروبوت لا يتحرك
<p>① إذا كان الروبوت خارج نطاق الخريطة، فأوقف تشغيل مفتاح الطاقة الرئيسي، وحرك الروبوت بالقرب من نقطة البداية ثم أعد تشغيل التنقل.</p> <p>② تأكد من عدم تغطية وحدة العرض بأي قطعة فماش أو أشياء أخرى. أزل الغبار، إن وجد</p>	التنقل لا يعمل
<p>① عند عدم صدور أي صوت، أو عند انخفاض مستوى الصوت للغاية، اضبط مستوى الصوت.</p> <p>② إذا استمرت المشكلة، يُرجى الاتصال بدعم العملاء</p>	الروبوت لا يصدر أي صوت
<p>أوقف تشغيل مفتاح الطاقة الرئيسي واتصل بدعم العملاء</p>	الروبوت لا يعمل بشكل طبيعي

คู่มือใช้งานหุ่นยนต์บริการอัจฉริยะ Keenon
Keenobot T5 Pro



Keenon Robotics Co.,Ltd.
โปรดเก็บคู่มือและนำการใช้งานฉบับนี้ไปอย่างเหมาะสมเพื่อใช้อ้างอิงในอนาคต

■ประกาศ:

Copyright © 2022 Keenon Robotics Co., Ltd. สงวนลิขสิทธิ์ทุกประการ

ห้ามมิให้บุคคลหรือองค์กรใดคัดลอก ผลิตซ้ำ ถอดความ หรือแปลเอกสารฉบับนี้ไม่ว่าบางส่วนหรือทั้งหมด หรือห้ามส่งต่อไม่ว่าจะในรูปแบบใดหรือด้วยวิธีใดก็ตาม (อิเล็กทรอนิกส์, ถ่ายสำเนา, บันทึก ฯลฯ) เพื่อจุดประสงค์ในเชิงพาณิชย์ใดก็ตามโดยไม่ได้รับอนุญาตเป็นลายลักษณ์อักษรล่วงหน้าจาก Keenon Robotics Co., Ltd.

ข้อมูลจำเพาะผลิตภัณฑ์และข้อมูลที่กล่าวถึงในที่นี้ให้ไว้เพื่อใช้อ้างอิงเท่านั้น และอาจมีการเปลี่ยนแปลงโดยไม่ต้องแจ้งให้ทราบล่วงหน้าคู่มือการใช้งานฉบับนี้มีไว้เพื่อเป็นคำแนะนำในการใช้งานเท่านั้น เว้นแต่จะมีระบุไว้เป็นอย่างอื่น

สารบัญ

ข้อมูลเบื้องต้น	262
คำแนะนำด้านความปลอดภัย	262
เกี่ยวกับคำแนะนำด้านความปลอดภัย	262
รายละเอียดสัญลักษณ์	262
รายละเอียดรูปสัญลักษณ์	263
ข้อมูลจำเพาะผลิตภัณฑ์	268
รูปสัญลักษณ์และส่วนประกอบ	268
ข้อมูลจำเพาะ	269
การทำงาน	270
การชาร์จหุ่นยนต์	270
การเปิด-ปิดเครื่อง	272
การทำงานของปุ่มหยุด	272
การเลือกโหมด	275
การซ่อมบำรุงหุ่นยนต์	285
การซ่อมบำรุง	285
การดูแลรักษาตัวหุ่นยนต์	286
การเคลื่อนย้ายและการควบคุมดูแลหุ่นยนต์	286
การขนย้าย	287
การกำจัดทิ้ง	287
การแก้ไขปัญหา	288

1. ข้อมูลเบื้องต้น

Keenon T5 Pro ซึ่งพัฒนาขึ้นโดย Keenon Robotics เป็นหุ่นยนต์ส่งอาหารที่ทำงานร่วมกับเจ้าหน้าที่ในร้านอาหาร โรงแรม โรงแรมขนาดเล็กและร้านค้าปลีก

2. คำแนะนำด้านความปลอดภัย

2.1 เกี่ยวกับคำแนะนำด้านความปลอดภัย

ก่อนใช้งานหุ่นยนต์ โปรดทำความเข้าใจและปฏิบัติตามคำแนะนำด้านความปลอดภัยที่อธิบายอยู่ในคู่มือใช้งาน Keenon T5 Pro (ซึ่งต่อไปนี้จะเรียกว่า “คู่มือนี้”) ข้อควรระวังที่ระบุในที่นี่เพื่อป้องกันมิให้ผู้ใช้งานและบุคคลอื่นได้รับบาดเจ็บและทรัพย์สินสูญหาย โปรดใช้งานด้วยความระมัดระวังเสมอ

Keenon Robotics จะไม่รับผิดชอบต่อความเสียหายใดก็ตามที่เกิดขึ้นแก่ผู้ใช้หรือบุคคลภายนอกอื่นเนื่องมาจากเครื่องทำงานบกพร่อง การใช้งานที่ไม่ถูกต้อง ปัญหาหรือสิ่งอื่นใดก็ตามที่เกิดขึ้นกับหุ่นยนต์หรืออะแดปเตอร์จ่ายไฟ



คู่มือนี้มีข้อควรระวังด้านความปลอดภัยในการใช้งานหุ่นยนต์และอะแดปเตอร์จ่ายไฟ ขั้นตอนการควบคุมดูแลที่เหมาะสม และข้อมูลเกี่ยวกับกฎข้อบังคับอื่นๆ ข้อควรระวังที่ระบุในคู่มือนี้ไม่ได้ครอบคลุมทุกสถานการณ์ที่อาจเกิดขึ้น ต้องคำนึงถึงความปลอดภัยของผู้ปฏิบัติงาน ผู้สัญจรไปมา และผู้คนโดยรอบเป็นอันดับแรกเสมอในทุกสถานการณ์ (เช่น เมื่อหุ่นยนต์ทำงานผิดปกติหรือพลิกคว่ำ) ขณะติดตั้งและใช้งานหุ่นยนต์ต้องใส่ไว้ในข้อควรระวังอยู่เสมอและเก็บคู่มือนี้ไว้ให้หยิบใช้ได้ง่าย

2.2 รายละเอียดสัญลักษณ์


หมวดหมู่สัญลักษณ์ต่อไปนี้อธิบายขอบเขตการบาดเจ็บหรือความเสียหายอันเกิดจากการไม่ปฏิบัติตามคำแนะนำและการใช้งานหุ่นยนต์หรืออุปกรณ์ที่เกี่ยวข้องอย่างไม่เหมาะสม ก่อนอ่านคู่มือนี้ โปรดศึกษาสัญลักษณ์ต่อไปนี้จนแน่ใจว่าคุณเข้าใจเป็นอย่างดีแล้ว




สัญลักษณ์ WARNING เตือนให้ผู้ใช้ตระหนักถึงปฏิบัติการที่เป็นอันตรายอันอาจส่งผลให้บาดเจ็บ บาดเจ็บ ไฟไหม้ (อุณหภูมิสูงหรือต่ำ) ไฟฟ้าช็อต กระจกแตกหัก ได้รับสารพิษ ฯลฯ ซึ่งเป็นผลให้ต้องนำเข้ารักษาในโรงพยาบาลหรือต้องรักษาในโรงพยาบาลเป็นเวลานาน

 CAUTION	<p>สัญลักษณ์ CAUTION หมายความว่า หากไม่ปฏิบัติตามข้อควรระวังเหล่านี้ อาจส่งผลให้บาดเจ็บ ไฟไหม้ ไฟฟ้าช็อต ฯลฯ แต่ไม่จำเป็นต้องนำเข้ารักษาในโรงพยาบาลหรือต้องรักษาในโรงพยาบาลเป็นเวลานาน</p>
 NOTE	<p>สัญลักษณ์ NOTE หมายความว่า หากไม่ปฏิบัติตามข้อควรระวัง อาจเกิดการบาดเจ็บหรือความเสียหายแก่ที่อยู่อาศัย ทรัพย์สิน ปศุสัตว์ และสัตว์เลี้ยง</p>

2.3 รายละเอียดรูปสัญลักษณ์

 **WARNING**

 **CAUTION**

- ห้ามใช้งาน ชาร์จ หรือเก็บหุ่นยนต์และที่ชาร์จแบตเตอรี่ในบริเวณที่มีอุณหภูมิสูง (ใกล้ประภาคารไฟหรือเปลวไฟ, ใกล้เครื่องทำความร้อน, โคมไฟแสงแดดโดยตรง, ในยานพาหนะที่กักกลางอากาศร้อน ฯลฯ) ในที่อุ่น หรือในที่ที่มีความร้อนสะสม (เช่น ข้างใต้หม้อน้ำรถยนต์, ฝ่าหม้อไฟฟ้า) ตรวจสอบให้แน่ใจว่ามีการระบายอากาศที่เหมาะสม และดูอย่าให้มีสิ่งห่อหุ้มหุ่นยนต์และเครื่องชาร์จแบตเตอรี่
- ด้วยเหตุผลด้านความปลอดภัย ห้ามใช้งานหุ่นยนต์ในสภาพแวดล้อมดังต่อไปนี้:

 - ① ห้ามไม่ให้หุ่นยนต์ไปอยู่ในสภาพแวดล้อมที่มีฝุ่นทราย หิมะ น้ำแข็ง น้ำ ความชื้น น้ำเค็ม หรือไอเกลือ (เช่น สภาพแวดล้อมใกล้ทะเลและริมหาด) มากเกินไป
 - หุ่นยนต์ถูกออกแบบมาให้ใช้งานในอาคารเท่านั้น การใช้งานหุ่นยนต์กลางแจ้งอาจส่งผลให้เครื่องทำงานบกพร่อง ส่วนประกอบและวัตถุโดยรอบเสื่อมสลายหรือเสียหายได้ เนื่องจากปัจจัยทางธรรมชาติและการกระทำที่ไม่คาดคิดอื่นๆ
 - นอกจากนั้นแล้วยังอาจส่งผลให้เกิดการบาดเจ็บ การทำงานบกพร่อง หรือความเสียหายแก่วัตถุโดยรอบอีกด้วย
 - ② พื้นที่มีชั้นบนใดสูงเกิน 0.5 ซม. (เช่น พื้นผิวขรุขระ)
 - ③ พื้นทีลาดชันลงต่อเนื่อง
 - ④ พื้นทีเด็กเล่น
 - ⑤ พื้นทีที่มีวัตถุสะท้อนแสงหรือโปร่งแสง (เช่น ประตูอัตโนมัติ, หน้าต่างบานใส, กระจก, แผ่นอะคริลิก ฯลฯ)
 - ⑥ พื้นผิวที่มันเงาสีดำ (วัสดุที่สะท้อนแสงได้น้อยมากๆ) หรือพื้นที่ที่ปิดทับด้วยวัสดุที่คล้ายกันนี้
 - ⑦ ใกล้บันไดหรือบันไดเลื่อน
 - ⑧ กลางแจ้ง

⑨ วางไว้ในบริเวณที่มีแดดจ้า เช่น ใกล้หน้าต่าง

⑩ พื้นที่ที่อยู่ใกล้อุปกรณ์ที่มีรังสีอินฟราเรด เช่น ประตูอัตโนมัติ

⑪ ช่องทางเดินควรกว้างอย่างน้อย 0.7 ม. เพื่อให้หุ่นยนต์ผ่านได้ ช่องทางเดินที่หุ่นยนต์ 2 ตัวเดินผ่านสวนกันได้ต้องกว้างมากกว่า 1.5 ม. หากแคบกว่านี้ หุ่นยนต์จะต้องเดินผ่านช่องทางเดินทีละตัวเท่านั้น

■ ห้ามวางเครื่องประดับเนื่องจากอาจเกะกิดขวางการทำงานของหุ่นยนต์และของระบบกักสกรีน

■ ห้ามผลักรุ่นยนต์ในขณะที่เปิดเครื่อง

■ ห้ามใช้งานหุ่นยนต์ในบริเวณที่มีบันไดระดับพื้นไม่สม่ำเสมอ (เช่น กระจังโคมและพรมที่ซ้อนกันสูงเกิน 1 ซม.) พื้นผิวลาดชัน หรือพื้นเปียก

■ ไม่เช่นนั้นเช่น เซอร์ LiDAR, กล้อง RGB-D หรือกล้องโมดูลรูปภาพอาจทำงานผิดพลาด และหุ่นยนต์อาจพลิกคว่ำหรือล้มกระแทก ส่งผลให้เกิดการบาดเจ็บหรือความเสียหายแก่ผู้คนและวัตถุโดยรอบ

■ ดูแลช่องทางเดินที่หุ่นยนต์ผ่านให้สะอาดอยู่เสมอ

■ เพราะหากหุ่นยนต์เดินผ่านสิ่งกีดขวางหรือวัตถุขนาดเล็ก เช่น ส้อม ช้อน

■ และตะเกียบ สิ่งของในถาดอาจร่วงหล่น ส่งผลให้เกิดการบาดเจ็บ การทำงานบกพร่อง หรือทำให้หุ่นยนต์ใช้การไม่ได้

■ หุ่นยนต์มีล้อนี้ออกแบบมาให้ใช้งานภายในอาคารบนพื้นราบ (พื้นผิวเรียบที่ลาดชันน้อยกว่า 5 องศา และระดับประตูที่สูงขึ้นจากระดับพื้นไม่เกิน 1 ซม.) ห้ามใช้งานกลางแจ้ง (เช่น ลานระเบียงเปิดโล่ง), บนพื้นขรุขระ (เช่น มีชั้นบันได) และสภาพแวดล้อมอื่นๆ

■ เมื่อชาร์จหุ่นยนต์ให้ใช้เฉพาะเครื่องชาร์จแบตเตอรี่และสายไฟเฉพาะของแท่นที่เข้ากับหุ่นยนต์เท่านั้น

■ ห้ามผลักรุ่นยนต์เมื่อหุ่นยนต์เปิดเครื่องอยู่

■ ห้ามใช้งานเครื่องชาร์จแบตเตอรี่ในหรือใกล้สถานที่ที่มีฝุ่น เกสโซ่ ก๊าซกัดกร่อน หรือวัตถุไวไฟ

■ มิเช่นนั้น อาจส่งผลให้เกิดไฟไหม้ การบาดเจ็บ ไฟฟ้าช็อต ความเสียหาย การทำงานบกพร่อง ความร้อนเกินระดับใช้งานปกติการรั่วไหลหรือการแตกหัก ในขณะที่มีข้อเปียกน้ำห้ามแตะต้องแหล่งจ่ายไฟหรือแรงดันไฟฟ้าใดๆ นอกเหนือจากสายอะแดปเตอร์

■ ห้ามใช้เครื่องชาร์จแบตเตอรี่หรือสายไฟที่ชำรุด

■ เครื่องชาร์จแบตเตอรี่นี้ออกแบบมาให้เสียบเข้ากับด้านข้างเท่านั้น ห้ามใช้เครื่องชาร์จโดยตั้งขึ้นหรือกลับหัว

■ ก่อนทำการซ่อมบำรุงหรือเมื่อจะไม่ใช่เครื่องชาร์จแบตเตอรี่เป็นเวลานานโปรดตรวจสอบให้แน่ใจว่าได้ถอดปลั๊กสายไฟจากเต้าเสียบแล้ว

■ เมื่อเสียบสายไฟเข้ากับเครื่องชาร์จแบตเตอรี่แล้วห้ามเหยียบสายไฟหรือออกแรงกดสายไฟมากเกินไป ห้ามแตะเครื่องชาร์จนานขณะกำลังชาร์จ

■ ห้ามทำเครื่องชาร์จตกหรือเหยียบบนเครื่องชาร์จไม่ว่าจะต่อไฟอยู่หรือไม่ก็ตาม ห้ามไม่ให้มีแรงกดกับบนเครื่องชาร์จมากเกินไป เช่น การวางสิ่งของทับด้านบนหรือขอบขี้นเครื่องชาร์จ

■ ชาร์จหุ่นยนต์ในที่ร่มเท่านั้น ห้ามใช้งานหุ่นยนต์กลางแจ้ง เช่น บนถนน

■ ห้ามใช้แบตเตอรี่ อะแดปเตอร์จ่ายไฟ หรือแท่นชาร์จจากบริษัทอื่น ห้ามถอดแยกชิ้นส่วน ช่อมแซม หรือดัดแปลงแบตเตอรี่หรือแท่นชาร์จโดยไม่ได้รับอนุญาต

■ ห้ามทำอาหาร (เช่น อบและย่างอาหาร) บนหุ่นยนต์ มิเช่นนั้น อาจส่งผลให้เกิดไฟไหม้ การบาดเจ็บ ไฟฟ้าช็อต ความเสียหาย การทำงานบกพร่อง ความร้อนเกินระดับใช้งานปกติ การรั่วไหล หรือการแตกหัก

■ ห้ามสูดน้ำใส่หุ่นยนต์

แม้ว่าหุ่นยนต์จะถูกออกแบบมาให้มีการกันฝุ่นและละอองน้ำ แต่ไม่ได้มีคุณสมบัติกันน้ำได้โดยสิ้นเชิง หากมีของเหลวหกออกจากถาด ให้ใช้ผ้าแห้งนุ่มเช็ดออกทันทีและผึ่งถาดให้แห้ง การมีของเหลวเข้าไปในตัวหุ่นยนต์หรือชาร์จหุ่นยนต์ในขณะกัตัวเครื่องเปียกหรือชื้นอาจส่งผลให้เกิดความร้อนเกินระดับใช้งานปกติ ไฟฟ้าช็อต ไฟไหม้ บาดเจ็บ หรือเครื่องทำงานบกพร่องได้

■ ห้ามไม่ให้มีของเหลว เช่น เครื่องดื่มหรือวัตถุแปลกปลอมอื่นใดเข้าไป ในตัวหุ่นยนต์

■ ห้ามวางของใฝ่ล้นพื้นความสูงของถาดและบดบังเซ็นเซอร์ของหุ่นยนต์
มีเช่นนั้นอาจส่งผลให้เกิดการทำงานบกพร่องหรือความเสียหายแก่วัตถุโดยรอบ

■ ห้ามวางของหนักเกินพิกัดน้ำหนักของถาด

มีเช่นนั้นอาจส่งผลให้เกิดการบาดเจ็บการทำงานบกพร่องความเสียหายแก่วัตถุโดยรอบหรือทำให้หุ่นยนต์ใช้การไม่ได้

① ความสามารถในการรับน้ำหนัก ขณะใช้ 3 ถาด: ถาดละ 10 กก. (รวม 40 กก.)

② ความสามารถในการรับน้ำหนัก ขณะใช้ถาดในชั้นที่ 4 (ถาดล่าง) เท่านั้น: 15 กก.

■ ขณะหุ่นยนต์กำลังเคลื่อนที่ ห้ามนำของออกจากถาด เพราะอาจทำให้ของหล่นจากถาดหรือเกิดความเสียหายแก่วัตถุโดยรอบได้

■ เพื่อให้มั่นใจในการสุขาภิบาลอาหารอย่าปล่อยให้อาหารไว้ในถาดโดยไม่มีใครดูแลหรืออยู่พื้มือ


■ ห้ามใช้งานหรือถาดอาหารขนาดใหญ่กว่าถาดของหุ่นยนต์
มีเช่นนั้นอาจบดบังเซ็นเซอร์และทำให้เครื่องทำงานบกพร่องได้

■ ห้ามใช้หุ่นยนต์ในสภาพแวดล้อมการดูแลสุขภาพหรือใกล้อุปกรณ์ไฟฟ้า ทางการแพทย์

■ หุ่นยนต์นี้ไม่ได้มีไว้ใช้งานโดยบุคคล (ซึ่งรวมถึงเด็ก) ที่มีสุขภาพร่างกายไม่ดี มีปัญหาด้านประสาทสัมผัสหรือสุขภาพจิต หรือขาดประสบการณ์และความรู้ เว้นแต่บุคคลเหล่านั้นจะได้รับการกำกับดูแลหรือแนะนำเกี่ยวกับวิธีใช้งานหุ่นยนต์อย่างปลอดภัยควรกำกับดูแลเด็กให้แน่ใจว่าพวกเขาไม่ได้เล่นหุ่นยนต์

หุ่นยนต์นี้ไม่ได้มีไว้ใช้งานโดยเด็กที่มีอายุต่ำกว่า 8 ปี และบุคคลที่มีสมรรถภาพทางกายประสาทสัมผัส หรือทางจิตใจที่ลดต่ำลง หรือขาดประสบการณ์และความรู้ เว้นแต่บุคคลเหล่านั้นจะได้รับการกำกับดูแลหรือแนะนำเกี่ยวกับวิธีใช้งานหุ่นยนต์อย่างปลอดภัย และเข้าใจถึงอันตรายที่เกี่ยวข้องแล้ว ห้ามมิให้เด็กเล่นกับหุ่นยนต์เครื่องนี้ ห้ามมิให้เด็กทำความสะอาดและผู้ใช้งานทำการซ่อมบำรุงโดยไม่มีกำกับการกำกับดูแล

- ไม่อนุญาตให้ผู้ใช้เปลี่ยนแบตเตอรี่สำรองเอง
- หากคุณถอดแบตเตอรี่แยกจากตัวเครื่องเก็บไว้ โปรดใช้อุปกรณ์ชาร์จพิเศษชาร์จไฟแบตเตอรี่ 2 ชั่วโมงทุกเดือน
- ชาร์จหุ่นยนต์ในบริเวณที่ไม่มีผู้คน พื้นที่ว่างปิดล้อม หรือบริเวณที่เข้าได้เฉพาะช่างซ่อมบำรุงเท่านั้น
- โปรดระมัดระวังสัตว์เลี้ยงของคุณและอย่าปล่อยให้สัตว์เลี้ยงวิ่งใกล้ๆ หุ่นยนต์
- ห้ามใช้อุปกรณ์ในสภาพแวดล้อมที่มีความชื้น
- อุณหภูมิการชาร์จแบตเตอรี่ควรอยู่ที่ 10℉ ถึง 40℉
- ห้ามนำอุปกรณ์ไปใช้ในพื้นที่ที่ติดตั้งง่ายและระเบิดได้
- ห้ามเปิดเครื่องอุปกรณ์เมื่อไม่ได้รับอนุญาตให้ใช้งาน
- ผู้ขับขี่ห้ามใช้งานอุปกรณ์เมื่อรถยนต์กำลังเคลื่อนที่ เพื่อความปลอดภัยในการขับขี่
- ใช้ผ้านุ่มแห้งทำความสะอาดอุปกรณ์ ห้ามใช้น้ำ แอลกอฮอล์ ผงซักฟอก หรือสารเคมีเด็ดขาด
- เก็บแบตเตอรี่ของอุปกรณ์และที่ชาร์จให้พ้นมือเด็กเพื่อป้องกันไม่ให้เด็กเผลอกลิ้นหรือเกิดการบาดเจ็บโดยอุบัติเหตุ เด็กควรใช้อุปกรณ์ภายใต้การควบคุมดูแลของผู้ใหญ่เท่านั้น
- อ่านกฎและข้อบังคับทั้งหมดของผลิตภัณฑ์เคลื่อนที่ในโรงพยาบาลและสถานบริการด้านสุขภาพ
- ใช้แบตเตอรี่ที่ให้มากับผลิตภัณฑ์เท่านั้น
- ▲ ห้ามเพิ่งไปทิ้งแหล่งกำเนิดแสงนานเกินไป (ไม่เกิน 100 วันาท)

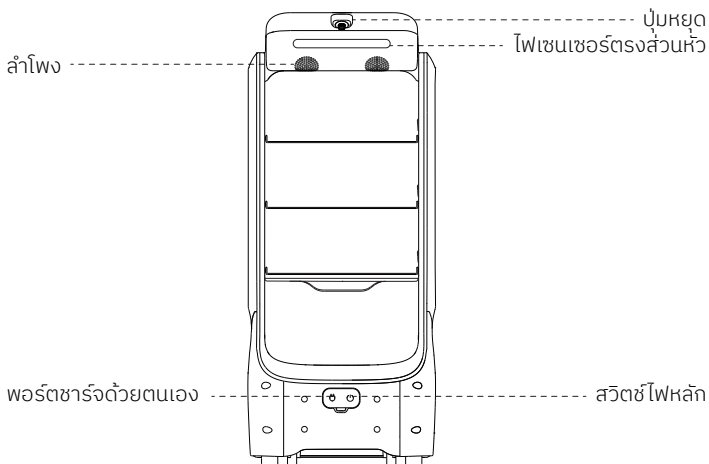
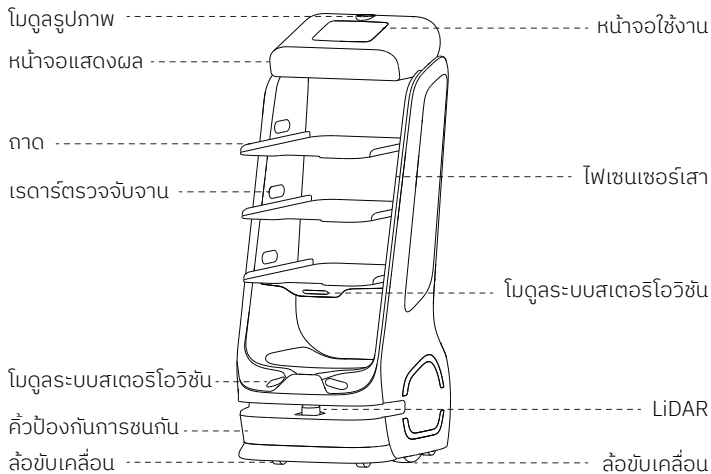
 NOTE

- ผู้ปฏิบัติงานควรอ่านคู่มือนี้และทำความเข้าใจวิธีใช้งานหุ่นยนต์อย่างถูกต้องให้ถ่องแท้ก่อนใช้งาน
- โปรดตรวจสอบให้แน่ใจว่าได้ถอดปลั๊กอะแดปเตอร์ออกจากเต้าเสียบแล้วก่อนใช้งานหรือเคลื่อนย้ายหุ่นยนต์ และทำการซ่อมบำรุง

- ห้ามพลิกคว่ำหรือปล่อยหุ่นยนต์ตกลงมาในขณะเคลื่อนย้ายหรือขนย้ายหุ่นยนต์ เพราะอาจส่งผลให้เกิดไฟไหม้ การบาดเจ็บ ไฟฟ้าช็อต ความเสียหาย การทำงานบกพร่อง ความร้อนเกินระดับใช้งานปกติ การรั่วไหล สารเคมีระเบิด หรือความเสียหายต่อหุ่นยนต์หรือเครื่องชาร์จแบตเตอรี่ได้
- เมื่อเสิร์ฟอาหารร้อนหรืออาหารประเภทน้ำ (เช่น แก้วน้ำและถ้วยชุป) โปรดทดลองใช้งานหุ่นยนต์ก่อนล่วงหน้าเพื่อให้แน่ใจว่าช่องของเหลวจะไม่หกหรือกระเด็นในระหว่างการทำงาน
- เมื่อวางของหนักหรืออาหารหลายจานบนถาดโปรดวางไว้ตรงกลางถาดเพื่อให้เกิดความสมดุล
มีเช่นนั้นอาจส่งผลให้เครื่องทำงานบกพร่อง ของเหลวหก หรือจานชำรุดงล่มได้
- เมื่อส่งของหนัก ให้วางของไว้บนถาดชั้นล่างและให้หุ่นยนต์เคลื่อนที่บนพื้นราบ
มีเช่นนั้นอาจส่งผลให้ของเหลวหกหรือเกิดความเสียหายแก่วัตถุโดยรอบในขณะทำงาน
- ขณะใช้งานหุ่นยนต์ ล้อของหุ่นยนต์ต้องสัมผัสพื้นอยู่เสมอ
มีเช่นนั้นอาจส่งผลให้เกิดการทำงานบกพร่องหรือความเสียหายแก่วัตถุโดยรอบ
- ตรวจสอบให้แน่ใจว่าผู้ปฏิบัติงานสามารถรับมือกับทุกสถานการณ์ ที่ไม่คาดคิดได้อย่างทันทีว่งก็ในขณะก็หุ่นยนต์กำลังเคลื่อนที่ กดปุ่มหยุดหากรู้สึกว่าจะเกิดอันตรายใดๆ
มีเช่นนั้นอาจส่งผลให้เกิดการบาดเจ็บหรือความเสียหายแก่ผู้ใช้บุคคลอื่นหรือวัตถุโดยรอบได้
- ใช้งานหุ่นยนต์ในสภาพแวดล้อมที่มีอุณหภูมิในช่วง 0°C ถึง 40°C และมีความชื้นในช่วง 5% ถึง 85% เก็บหุ่นยนต์ไว้ในบริเวณที่แห้งและปราศจากฝุ่น และมีอุณหภูมิในช่วง -30°C ถึง 60°C และความชื้นในช่วง 10% ถึง 90%
มีเช่นนั้นอาจส่งผลให้เกิดไฟไหม้ การบาดเจ็บ ไฟฟ้าช็อต ความเสียหาย การทำงานบกพร่อง ความร้อนเกินระดับใช้งานปกติ การรั่วไหล สารเคมีระเบิด หรือความเสียหายอื่นๆ ต่อหุ่นยนต์หรือเครื่องชาร์จแบตเตอรี่ได้
- ในกรณีที่สภาพแวดล้อมภายในอาคารมีการเปลี่ยนแปลงอย่างชัดเจน (เช่น มีการประดับตกแต่งใหม่, การใช้งานหุ่นยนต์ในสถานที่แห่งใหม่, การจัดเรียงสิ่งของภายในอาคารใหม่ เช่น ปลายทางเสิร์ฟ แก้ว และโต๊ะ) ต้องจัดทำแผนที่ใหม่

3. ข้อมูลจำเพาะผลิตภัณฑ์

3.1 รูปลักษณะและส่วนประกอบ



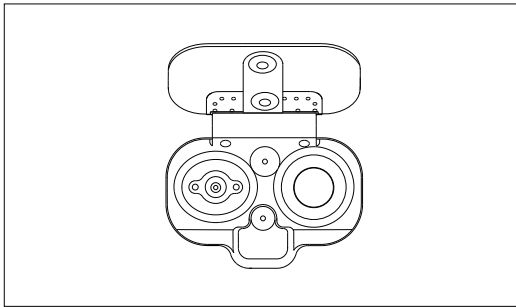
3.2 ข้อมูลจำเพาะ

รายการ	ข้อมูลจำเพาะ
รุ่น	Keenbot T5 Pro
ขนาดหุ่นยนต์ (ย×ก×ส)	506 มม.×502 มม.×1205 มม.
ขนาดถาด (ย×ก×ส)	ชั้นแรก: 486 มม. × 384 มม. × 186 มม. ชั้นอื่นๆ: 486 มม. × 384 มม. × 166 มม.
น้ำหนัก (ไม่รวมแท่นชาร์จ)	61.5 กก.
น้ำหนักบรรทุกสูงสุดต่อชั้น	10 กก.
ความเร็วในการเคลื่อนที่สูงสุด	0.9 เมตร/วินาที
อินเทอร์เน็ตเชื่อมต่อ	Wi-Fi 4G
ความจุแบตเตอรี่	48V DC 12Ah
พิกัดกำลังไฟ	50W
กระแสไฟขณะสแตนด์บาย	กระแสไฟขณะสแตนด์บาย < 1.5A
ระยะเวลาการใช้งานแบตเตอรี่	10~12 ชม
อายุการใช้งาน	20,000h
ช่วงอุณหภูมิ / ความชื้นที่หุ่นยนต์ทำงานได้ปกติ	อุณหภูมิ: 0°C~40°C, ความชื้น: 5%~85%
ความสว่าง	ภายในอาคาร 300~20,000 ลักซ์
สภาพแวดล้อมในการทำงาน	ภายในอาคารที่แห้งและมีพื้นที่ราบและเรียบ
สภาพแวดล้อมในการจัดเก็บ	อุณหภูมิ: -30°C~60°C ความสูง: ไม่เกิน 1,000 ม.

4. การทำงาน

4.1 การชาร์จหุ่นยนต์

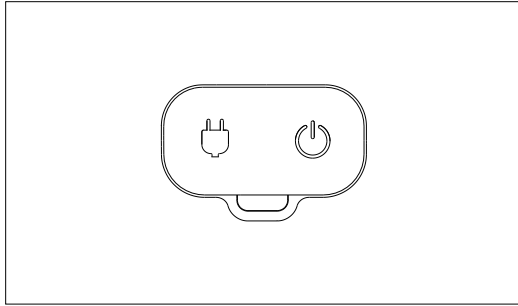
- ☑️ ชาร์จหุ่นยนต์ให้เต็มก่อนใช้งานครั้งแรก หรือเมื่อระดับแบตเตอรี่ ต่ำกว่า 20%
- *เมื่อไฟแสดงสถานะอะแดปเตอร์เปลี่ยนเป็นสีเขียวหมายความว่า การชาร์จเสร็จสมบูรณ์แล้ว
- ☑️ ห้ามใช้หุ่นยนต์ขณะกำลังชาร์จ
- ☑️ หากไม่ได้ใช้งานหุ่นยนต์เป็นเวลานาน ให้ชาร์จหุ่นยนต์ให้เต็มทุก 2 เดือน
- เปิดฝาคอบายของช่องชาร์จไฟด้วยตนเองที่ด้านหลังของหุ่นยนต์แล้วเสียบปลั๊กอะแดปเตอร์เข้ากับช่องชาร์จไฟนั้น



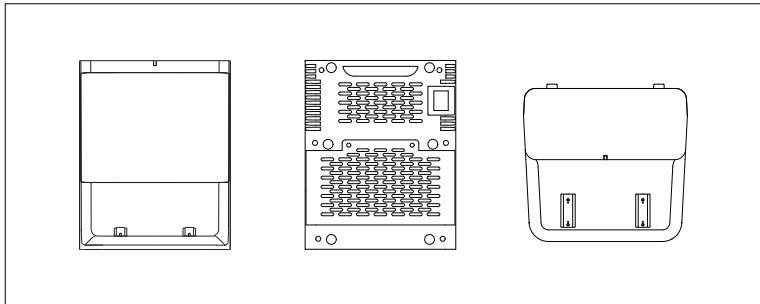
- ไฟแสดงสถานะอะแดปเตอร์จะเปลี่ยนเป็นสีแดงเมื่อเริ่มการชาร์จ และหน้าจอและเปลี่ยนไปยังหน้าจอการชาร์จ ซึ่งจะแสดงให้เห็นว่ากำลังชาร์จ



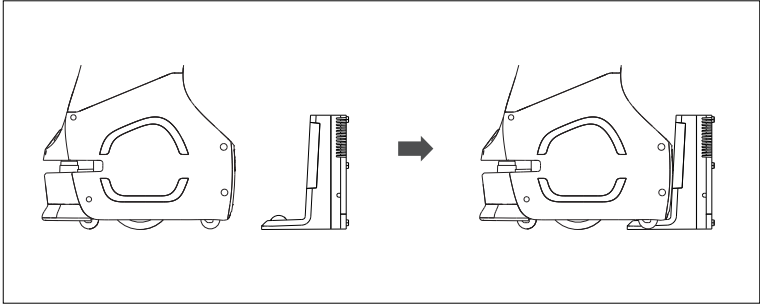
■ ถอดปลั๊กอะแดปเตอร์และปิดฝาครอบยาง



รูปภาพต่อไปนี้แสดงโครงสร้างของแท่นชาร์จ สำหรับหุ่นยนต์บริการแบบมีถาดหลายชั้น:



ชาร์จหุ่นยนต์ในบริเวณที่ไม่มีผู้คน พื้นที่ว่างปิดล้อม หรือเป็นพื้นที่ ที่เข้าได้เฉพาะช่างซ่อมบำรุงเท่านั้น หุ่นยนต์มีคุณสมบัติการชาร์จอัตโนมัติอัจฉริยะ หุ่นยนต์จะค้นหาตำแหน่ง จับคู่ และเชื่อมต่อกับแท่นชาร์จเพื่อทำการชาร์จอัตโนมัติเมื่อระดับแบตเตอรี่ลดลงเหลือ 5% หรือจะส่งไปชาร์จด้วยตนเองก็ได้



4.2 เปิด/ปิดเครื่อง

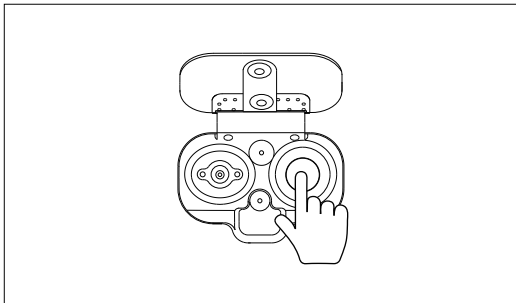
สวิตช์หลักอยู่ที่ด้านหลังของหุ่นยนต์ ทางด้านขวาใต้ฝารอบยาง

■ เปิดเครื่อง

กดสวิตช์หลักหนึ่งครั้งเพื่อเปิดหุ่นยนต์ ซึ่งใช้เวลาประมาณ 40 วินาที

■ ปิดเครื่อง

กดสวิตช์หลักหนึ่งครั้งเพื่อปิดหุ่นยนต์ เช่นเดียวกับตอนเปิดหุ่นยนต์



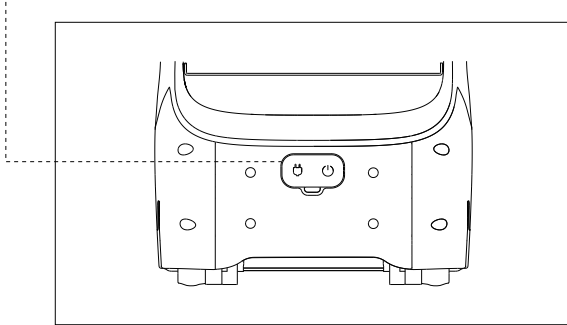
4.3 การทำงานของปุ่มหยุด

หากพบเจอสถานการณ์ดังต่อไปนี้ โปรดกดปุ่มหยุดเพื่อหยุดการทำงานของหุ่นยนต์ทันที:

- ☑ เคลื่อนย้ายหุ่นยนต์ด้วยตนเองขณะที่หุ่นยนต์กำลังทำงาน
- ☑ หุ่นยนต์ทำงานผิดปกติ (เช่น เคลื่อนที่ไปยังเส้นทางอื่นที่ไม่ได้กำหนดไว้) และอาจก่อให้เกิดความ

มเสียหายแก่สภาพแวดล้อมโดยรอบ

หมายเหตุ: เปิดฝาคอขวดซิลิโคนที่อยู่ใต้โครงเครื่อง แล้วเปิดปุ่มหยุดโดยกดปุ่มสีแดงทางด้านขวา



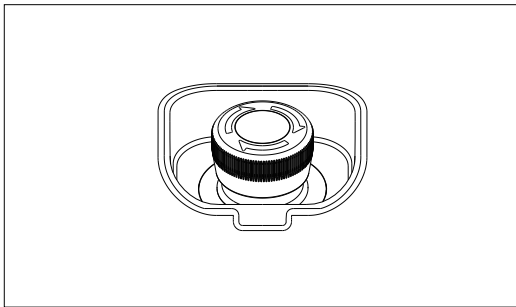
■ การจัดการสถานการณ์ฉุกเฉิน

เมื่อหุ่นยนต์ทำงานไม่ปกติหรืออยู่ในสถานการณ์ฉุกเฉินใดก็ตามที่อาจก่อให้เกิดภัยอันตรายแก่สภาพแวดล้อมโดยรอบ ให้หยุดหุ่นยนต์โดยการกดปุ่มหยุดฉุกเฉิน

ที่ด้านบนตัวเครื่อง:

หลังแน่ใจแล้วว่าหุ่นยนต์กลับสู่สภาวะปกติให้ค่อยๆ หมุนสวิตช์ไปตามทิศทางที่ระบุอยู่ด้านบนปุ่มหยุดฉุกเฉิน แล้วจัดการให้หุ่นยนต์กลับมาทำงานต่อตามปกติ

หมายเหตุ: หากกดปุ่มหยุดฉุกเฉินบนพื้นที่ลาดชัน หุ่นยนต์จะปล่อยพลังงานจลน์ และจะเคลื่อนที่ต่อไปด้วยแรงเฉื่อย ซึ่งอาจก่อให้เกิดการบาดเจ็บได้



■ ระบบหลักสิ่งกีดขวาง

ผลิตภัณฑ์ที่ใช้กลไกการทำงานแบบผสมรวมหลายเซ็นเซอร์เพื่อระบุหาสิ่งกีดขวางด้านหน้า หากเกิดสถานการณ์อันตรายหุ่นยนต์สามารถลดความเร็วหยุดและจะทำการควบคุมความเร็วเกินขนาดและการหลักสิ่งกีดขวางอื่นๆผ่านการประมวลผลของหุ่นยนต์เองและจะส่งเสียงเตือน

หากเส้นทางเคลื่อนที่มีคนแอดและหุ่นยนต์หลักสิ่งกีดขวางไม่ได้ รวมถึงมีเสียงและไฟแจ้งเตือนปรากฏต่อเนื่อง โปรดกดปุ่มหยุดฉุกเฉินเพื่อเคลื่อนย้ายหุ่นยนต์ให้ออกห่างหรือนำสิ่งกีดขวางออก

■ การกระตุ้นด้วยภาพและเสียง

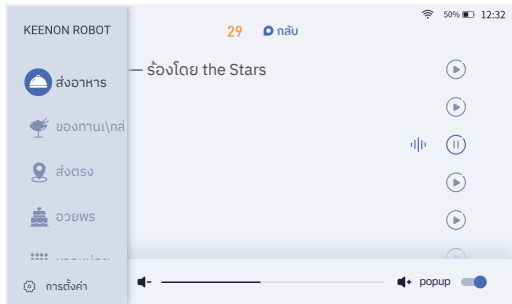
	ไฟเสา	ไฟส่วนหัว	แสงแวดล้อม
การชนกัน	ไฟสีเหลืองแบบกะพริบ	ไฟสีแดงแบบติดค้าง	ไฟสีแดงแบบติดค้าง
การหลงทาง (ขาดลลาภ)	ไฟสีเหลืองแบบกะพริบ	ไฟสีฟ้าแบบติดค้าง	ไฟสีฟ้าแบบติดค้าง
ปุ่มหยุดฉุกเฉิน	ไฟสีเหลืองแบบกะพริบ	ไฟสีแดงแบบติดค้าง	ไฟสีแดงแบบติดค้าง
การเคลื่อนย้าย	ไฟสีฟ้าแบบกะพริบเป็นจังหวะ	ไฟสีฟ้าแบบติดค้าง	ไฟสีฟ้าแบบติดค้าง
การควบคุมทิศทาง	ไฟสีฟ้าแบบกะพริบเป็นจังหวะ	ไฟสีฟ้าแบบ Flowing (ด้านข้างเมื่อเปลี่ยนทิศทาง)	ไฟสีฟ้าแบบติดค้าง

4.4 การเลือกโหมด

หุ่นยนต์มี 5 โหมดสำหรับใช้ในสถานการณ์ต่างๆ: โหมดเสิร์ฟอาหาร, โหมดเสิร์ฟอาหารว่าง, โหมดเสิร์ฟหลายปลายทาง, โหมดเสิร์ฟโดยตรง และโหมดวันเกิด

☑ โหมดเสิร์ฟอาหาร

ในโหมดเสิร์ฟอาหาร หุ่นยนต์สามารถเสิร์ฟอาหารหลายๆโต๊ะได้ในการเดินรอบเดียวหลังจากที่วางจานอาหารที่ลูกค้าต่างๆ ส่งมาลงบนถาด และป้อนหมายเลขโต๊ะแล้ว หุ่นยนต์จะวางแผนเส้นทางที่ดีที่สุดโดยอัตโนมัติเพื่อการเสิร์ฟที่รวดเร็วที่สุด



☑ โหมดเสิร์ฟอาหารว่าง

ในโหมดเสิร์ฟอาหารว่าง หุ่นยนต์จะเดินวนในเส้นทางที่กำหนดเอาไว้แล้วโดยมีบริการเครื่องดื่ม ขนมหวาน หรือสื่อโปรโมชันต่างๆ ให้ลูกค้าหยิบเอง และเชิญชวนให้ลูกค้าลองชิมอาหารหรือหยิบอาหารตัวอย่างมากมายโดยการกระจายเสียงหรือแสดงภาพบนหน้าจอ



☑ โหมดเสิร์ฟโดยตรง

ในโหมดเสิร์ฟโดยตรงหุ่นยนต์ที่เตรียมพร้อมอยู่ในจุดรับอาหารจะไปเสิร์ฟยังโต๊ะที่กำหนดเมื่อเสิร์ฟเสร็จ หุ่นยนต์ก็จะรอ ณ จุดนั้นเพื่อรับงานถัดไปแทนการเดินทางอัตโนมัติ โหมดนี้ถูกใช้มากที่สุดที่ร้านอาหารแบบให้บริการเสิร์ฟกลับบ้าน และในสถานการณ์ที่คล้ายกันอื่นๆ





👉 โหมดเซอร์โพรส

หุ่นยนต์ในโหมดเซอร์โพรสจะสามารถเล่นเพลงเพื่อฉลองวันเกิดลูกค้าหรือเทศกาลอื่นๆได้หลังจากมาถึงปลายทางที่กำหนดแล้ว สามารถปรับเปลี่ยนคำอวยพรได้ เช่น “สุขสันต์วันเกิดคุณ***” โดยอวยพรให้ลูกค้าและเซอร์โพรสให้พวกเขาดีใจ



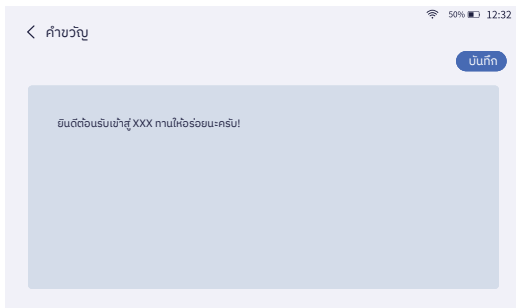
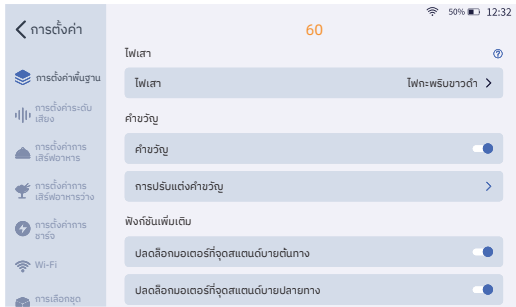
☑ โหมดเสิร์ฟหลายปลายทาง

ในโหมดเสิร์ฟหลายปลายทาง ซึ่งคล้ายกับโหมดเสิร์ฟอาหารว่าง สามารถเลือกจำนวนโต๊ะได้สูงสุดถึง 20 โต๊ะ



☑ ฟังก์ชันสไลด์แกน

สามารถเปิดฟังก์ชันสไลด์แกนได้ในหน้าตั้งค่า เปิดฟังก์ชันสไลด์แกนได้ในหน้าตั้งค่า จากนั้นกรอกข้อความเพื่อให้แสดงบนหน้าจอแบบวิ่ง เช่น “ยินดีต้อนรับสู่...(ชื่อร้าน)” และปุ่มบันทึกหลังจากกรอกข้อความแล้ว จากนั้น สไลด์แกนก็จะปรากฏบนหน้าจอหุ่นยนต์ แกนที่อ็อบโตคอนโดยอัตโนมัติ ฟังก์ชันสไลด์แกนจะไม่กระทบต่อการเคลื่อนไหวของหุ่นยนต์ในทุกโหมด

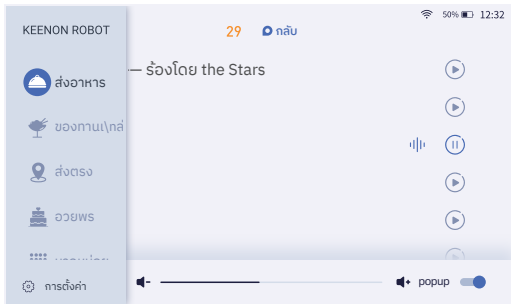


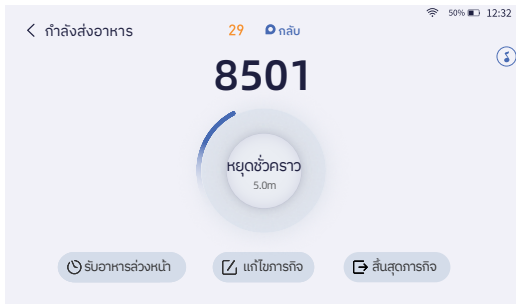
■ โหมดเสิร์ฟอาหาร

มักใช้โหมดเสิร์ฟอาหารในการเสิร์ฟอาหารไปยังโต๊ะที่กำหนดโดยมีขั้นตอนดังต่อไปนี้:

- ① เลือกโหมดเสิร์ฟอาหารที่จุดรับอาหาร
- ② วางจานอาหารลงบนถาด (หนึ่งถาดสำหรับหนึ่งโต๊ะเท่านั้น)
- ③ แตะหน้าจอเลือกถาดที่มีจานอาหาร แล้วป้อนหมายเลขโต๊ะปลายทาง
- ④ หลังป้อนหมายเลขโต๊ะแล้ว ให้แตะ “เริ่มเสิร์ฟ” เพื่อให้หุ่นยนต์เริ่มงาน
- ⑤ หุ่นยนต์จะมาถึงปลายทางอย่างรวดเร็วตามเส้นทางที่กำหนดไว้แล้ว ในระหว่างการเสิร์ฟ คุณสามารถแตะคำสั่งหยุดบนหน้าจอหุ่นยนต์ เพื่อหยุดหุ่นยนต์ชั่วคราวในทันที
- ⑥ เมื่องานเสิร์ฟถูกหยุดชั่วคราวเป็นเวลา 30 วินาที (30 วินาทีตามค่าเริ่มต้น และหยุดได้สูงสุด 5 นาที) คุณสามารถป้อนคำสั่งอื่นให้หุ่นยนต์ (แก้ไขงาน, จบงานปัจจุบัน, จบงานทั้งหมด) ภายในระยะเวลา นี้ หากไม่มีการป้อนคำสั่งบนหน้าจอระบบสัมผัส หุ่นยนต์จะทำงานที่มีอยู่ของตนต่อไป
- ⑦ หลังจากเดินทางมาถึงปลายทาง หุ่นยนต์จะส่งเสียงเตือน (อาหารของคุณถูกนำมาถึงแล้ว)
- ⑧ หลังแตะยืนยัน หุ่นยนต์จะทำงานลำดับถัดไปหรือเดินทางกลับไปยังจุดรับอาหาร แล้วรอคำสั่งใหม่

๑) คุณสามารถค้นหาปลายทางได้โดยตรวจสอบเส้นทางในงานที่แล้วของหุ่นยนต์

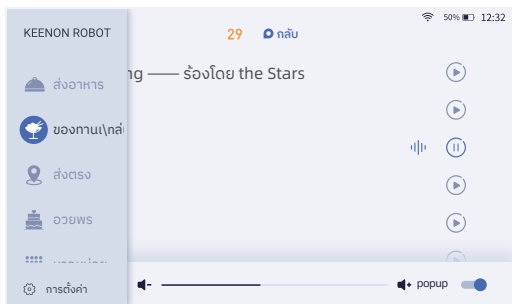




■ โหมดเสิร์ฟอาหารว่าง

โหมดเสิร์ฟอาหารว่าง เป็นโหมดที่ใช้กันบ่อย โดยหุ่นยนต์จะเคลื่อนที่ในสภาพแวดล้อมที่มีพื้นที่กว้างขวางตามเส้นทางที่กำหนด โดยมีขั้นตอนต่อไปนี้:

- ① เลือกโหมดเสิร์ฟอาหารว่างที่จัดรับอาหาร
- ② เลือกเส้นทางที่วางแผนไว้
- ③ ตะ “ฮีนฮีน” และหุ่นยนต์จะเริ่มงาน
- ④ หุ่นยนต์จะส่งเสียงแจ้งเตือนในระหว่างการเสิร์ฟ เพื่อเตือนลูกค้าให้หยิบอาหารว่างขึ้นมาลองชิมและคำสั่งหยุดบนหน้าจ่อหุ่นยนต์เพื่อหยุดหุ่นยนต์ชั่วคราวโดยทันทีในระหว่างการเสิร์ฟขมม หากหุ่นยนต์ไม่ได้รับคำสั่งใหม่ใน 5 วินาที ก็จะทำงานที่มีอยู่ต่อไป
- ⑤ ในการหยิบอาหารว่างขึ้นมาั้น ลูกค้าสามารถยืนอยู่หน้าหุ่นยนต์หรือตะหน้าจ่อหุ่นยนต์แล้วหุ่นยนต์จะหยุดเดินทันทีพร้อมแสดงบนหน้าจ่อว่าหุ่นยนต์หยุดชั่วคราว เพื่อให้ลูกค้าหยิบอาหารว่างได้เองอย่างสะดวก

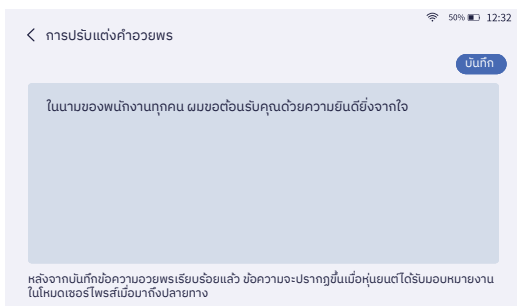




■ โหมดเซอร์โพรส

โหมดส่งของว่างออกแบบมาเพื่อเซอร์โพรสให้ลูกค้าดีใจ ดังที่ปรากฏในขั้นตอนดังต่อไปนี้:

- ① เลือกโหมดเซอร์โพรสในสถานที่รับของว่าง
- ② ไปยังหน้าโหมดเซอร์โพรส จากนั้นแตะปุ่มเลือกข้อความตรงมุมซ้ายล่าง
- ③ กรอกข้อความอวยพร เสียดนตรี จากนั้นแตะปุ่มบันทึก
- ④ เลือกหมายเลขโต๊ะ จากนั้นแตะปุ่มเริ่ม
- ⑤ หลังจากหุ่นยนต์มาถึงโต๊ะที่เลือกแล้วก็จะเล่นดนตรีโดยอัตโนมัติและแสดงข้อความอวยพรบนหน้าจอ



5. การซ่อมบำรุงหุ่นยนต์

5.1 การซ่อมบำรุง

■ หุ่นยนต์

① ก่อนเช็ดฝุ่นออกจากหุ่นยนต์ โปรดตรวจสอบให้แน่ใจว่าถอดปลั๊กอะแดปเตอร์ออกจากเต้าเสียบ และถอดปลั๊กอะแดปเตอร์ออกจากหุ่นยนต์แล้ว

② ทำความสะอาดเซนเซอร์ LiDAR, กล้อง RGB-D และโมดูลภาพด้วยผ้าไมโครไฟเบอร์ทุกวัน

* ไม่มีผ้าไมโครไฟเบอร์ให้มาในบรรจุภัณฑ์ โปรดเตรียมเอง

③ หลังใช้งานหุ่นยนต์ ให้ทำความสะอาดสิ่งสกปรกออกโดยใช้ผ้านุ่มชุบน้ำหมาด แล้วเช็ดหุ่นยนต์ให้แห้งสนิทอีกครั้งด้วยผ้าแห้ง

④ ใช้สารเอทานอลฆ่าเชื้อเพื่อฆ่าเชื้อภายนอกตัวหุ่นยนต์ห้ามพ่นและองของเหลวโดยตรงใส่หุ่นยนต์ ใช้ผ้าชุบน้ำหมาดกับสารฆ่าเชื้อทำความสะอาดหุ่นยนต์

⑤ ตรวจสอบและทำความสะอาดด้านล่างของหุ่นยนต์สัปดาห์ละ 6 เดือน

⑥ ตัวเครื่องจะต้องได้รับการตรวจสอบฟังก์ชันความปลอดภัยและอุปกรณ์ที่เกี่ยวข้องกับความปลอดภัย (เช่น ฟังก์ชันปุ่มหยุด, ฟังก์ชันหลบหลีกสิ่งกีดขวาง, เสียงและไฟเตือน และอื่นๆ) ทุก 6 เดือนหนึ่งสัปดาห์ก่อนถึงวันหมดอายุตัวเครื่องจะหยุดทำงานและแจ้งการแจ้งเตือนว่าจำเป็นต้องทำการซ่อมบำรุง หลังเห็นการแจ้งเตือนแล้ว โปรดติดต่อบุคลากรผู้เชี่ยวชาญด้านการซ่อมบำรุงหลังการขายเพื่อให้มาตรวจสอบและซ่อมบำรุงถึงสถานที่อย่างทันท่วงที รวมถึงหลีกเลี่ยงไม่ให้เกิดการกระทบต่อการทำงานของเครื่องด้วย

⑦ ต้องตรวจสอบสภาพแวดล้อมการใช้งานหุ่นยนต์ทุกวัน เช่น ความลาดชันและความราบของพื้น ตรวจสอบว่าป้ายการนำทางครบถ้วนสมบูรณ์หรือไม่ หรืออุปกรณ์ให้แสงสว่างในสถานที่เก่าแล้วหรือเสียหายแล้วหรือไม่ ตรวจสอบว่าความเข้มของแสงแวดล้อมอยู่ในช่วง 300~20000 ลักซ์หรือไม่

⑧ หากมีคราบน้ำหรือน้ำมันบนตัวเครื่องหรือบนพื้น โปรดทำความสะอาดโดยเร็ว

■ ล้อขับและล้อเคลื่อน

① นำเส้นผมและฝุ่นที่ติดอยู่ในล้อออก

② ในการทำความสะอาดล้อ ให้ถอดล้อออกจากหุ่นยนต์และใช้ผ้าชุบน้ำหมาดเช็ดล้อให้สะอาด

③ หากหุ่นยนต์สกปรกให้พลิกด้านข้างตัวหุ่นยนต์ให้นอนลงบนพื้นนุ่มและเช็ดทำความสะอาดด้วยผ้าชุบน้ำหมาดกับน้ำยาทำความสะอาดที่มีฤทธิ์เป็นกลาง

* ใส่ถุงมือเพื่อหลีกเลี่ยงการบาดเจ็บในระหว่างการถอดชิ้นส่วนหุ่นยนต์

■ สำหรับแบตเตอรี่สำรองนั้น ต้องติดต่อโรงงานเพื่อรับบริการซ่อมบำรุงและการเปลี่ยนทดแทนหลังการขาย

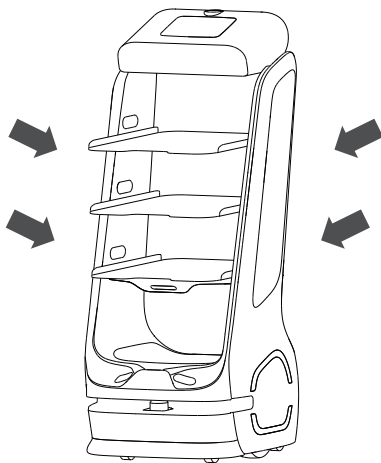
5.2 การดูแลรักษาตัวหุ่นยนต์

- โปรดอย่าลืมหันปิดเครื่องหุ่นยนต์และชาร์จแบตเตอรี่หลังการใช้งาน
- ① ปิดเครื่องหุ่นยนต์เพื่อจัดเก็บเมื่อไม่ได้ใช้งาน
- ② จัดเก็บหุ่นยนต์ในบริเวณที่ไม่กีดขวางทางประตูหนีไฟ บันได หรืออุปกรณ์ดับเพลิง
- ③ จัดเก็บหุ่นยนต์ไว้ภายในอาคารที่แห้งและไม่มีความชื้น

5.3 การเคลื่อนย้ายและควบคุมดูแลหุ่นยนต์

ยกหรือดันหุ่นยนต์ด้วยมือทั้งสองข้าง

- ยกและเคลื่อนย้ายหุ่นยนต์
จับที่ด้านข้างหุ่นยนต์ด้วยมือทั้งสองข้าง แล้วยกตัวเครื่องขึ้นมา (ตามลูกศรในรูปภาพ) ขณะที่ยังตั้งตรงอยู่
- ดันและเคลื่อนย้ายหุ่นยนต์
ใช้ทั้งสองมือเคลื่อนย้ายหุ่นยนต์ โดยดันที่ตำแหน่งด้านข้าง (ตำแหน่งที่ลูกศรชี้ในภาพด้านล่าง)
* ห้ามดึงที่ด้านล่างของหุ่นยนต์ เอนตัวหุ่นยนต์ ยกเครื่องโดยจับที่ถาด หรือร่องยาวถัดจากบริเวณ LiDAR หรือดึงเครื่องที่ด้านหน้าหรือด้านบน เพราะอาจจะสร้างความเสียหายแก่หุ่นยนต์ได้



5.4 การขนย้าย

ในระหว่างการขนย้ายโปรดทำตามทิศทางลูกศรที่อยู่บนกล่องห้ามวางนอนราบหรือคว่ำกลับด้านเมื่อแกะบรรจุภัณฑ์โปรดให้เครื่องตั้งตามทิศทางที่ระบุไว้บนกล่องนำสายรัดออกจากตัวหุ่นยนต์นำกล่องหุ้มด้านนอกออกจากฐานไปจนถึงถึงด้านบนสุดนำโฟมกันกระแทกออกแล้วขนย้ายเครื่องไปยังจุดที่ต้องการตามวิธีที่ระบุไว้ใน 5.3

5.5 การกำจัดทิ้ง

การทิ้งอุปกรณ์อิเล็กทรอนิกส์เสมือนกับขยะทั่วไปจะก่อให้เกิดมลพิษต่อสิ่งแวดล้อม โปรดปฏิบัติตามนโยบายการรีไซเคิลขยะประจำถิ่นของท่านก่อนทิ้งอุปกรณ์ ผลิตภัณฑ์นี้มีก้อนแบตเตอรี่ซึ่งเป็นสารอันตราย โปรดติดต่อบุคลากรเฉพาะทางเพื่อทำการรีไซเคิล

ผลิตภัณฑ์นี้ได้รับการออกแบบและผลิตมาจากวัสดุและส่วนประกอบคุณภาพสูงที่สามารถรีไซเคิลได้

เมื่อต้องทิ้งผลิตภัณฑ์ โปรดตรวจสอบว่าทิ้งผลิตภัณฑ์อย่างเหมาะสม เนื่องจากขยะอุตสาหกรรมและขยะทั่วไปกับขยะจากธุรกิจนั้นแยกจากกันตามข้อบังคับของภูมิภาคและเทศบาล และเป็นไปตามคำขอของผู้ปฏิบัติงานด้านการกำจัดขยะอุตสาหกรรม

* หากปล่อยเข้าผลิตภัณฑ์ โปรดอย่าทิ้งผลิตภัณฑ์ด้วยตนเอง ติดต่อบริษัทผู้จำหน่ายสินค้า เมื่อทิ้งเครื่องให้นำแบตเตอรี่ออกจากเครื่องแล้วทิ้งอย่างเหมาะสมตามข้อบังคับการกำจัดทิ้งขยะในพื้นที่ที่คุณอยู่อาศัย



6. การแก้ไขปัญหา

ในกรณีที่เกิดปัญหาใดๆ โปรดอ้างอิงวิธีแก้ปัญหาด้านล่าง

ปัญหา	วิธีแก้ปัญห
เปิดเครื่องหุ่นยนต์ไม่ติด	<ol style="list-style-type: none"> ① เมื่อแบตเตอรี่ต่ำ ให้ชาร์จหุ่นยนต์โดยใช้อะแดปเตอร์ไฟฟ้า ② หากยังคงเกิดปัญหา โปรดติดต่อฝ่ายสนับสนุนลูกค้า
หุ่นยนต์ไม่เคลื่อนที่	<ol style="list-style-type: none"> ① กดปุ่มหยุด แล้วย้ายป้ายไปอยู่ในตำแหน่งที่มองเห็นได้ง่าย กดปุ่มหยุดอีกครั้งแล้วตรวจสอบว่าหุ่นยนต์สามารถเคลื่อนที่ได้หรือไม่ ② หากยังคงเกิดปัญหาหลังการดำเนินงาน ① ให้ปิดสวิตช์ไฟหลัก แล้วเปิดสวิตช์เมื่อหุ่นยนต์ไปอยู่ในที่ที่สามารถมองเห็นป้ายได้ง่าย แล้วลองอีกครั้ง ③ หากยังคงเกิดปัญหา โปรดติดต่อฝ่ายสนับสนุนลูกค้า
ระบบนำทางไม่ทำงาน	<ol style="list-style-type: none"> ① หากหุ่นยนต์เคลื่อนที่ออกนอกเส้นทางแผนที่ ให้ปิดสวิตช์ไฟหลัก ย้ายหุ่นยนต์ไปที่ใกล้กับจุดเริ่มต้น แล้วรีสตาร์ทระบบนำทางใหม่ ② ตรวจสอบให้แน่ใจว่าไม่มีผ้าหรือวัตถุอื่นๆ บดบังโมดูลการแสดงผล และเช็ดฝุ่นออกให้หมด
หุ่นยนต์ไม่ส่งเสียงพูดหรือเสียงเพลง	<ol style="list-style-type: none"> ① หากหุ่นยนต์ไม่ส่งเสียงพูดหรือเสียงเพลง หรือระดับเสียงเบาเกินไป ให้ปรับระดับเสียง ② หากยังคงเกิดปัญหา โปรดติดต่อฝ่ายสนับสนุนลูกค้า
หุ่นยนต์ทำงานผิดปกติ	ปิดสวิตช์ไฟหลักแล้วติดต่อฝ่ายสนับสนุนลูกค้า