

MASTRO[®]

Service



Mastro GmbH

Hüserstraße 53
59075 Hamm/Germany

+49(0) 2381/973 71- 0
+49(0) 2381/973 71-88

www.mastroshop.com

HOODS

INSTALLATION USAGE AND MAINTENANCE MANUAL

ATTENTION:

- *The following instructions booklet is meant to be integral part of the equipment and it must be available for the workers for every kind of consultations.*
- *Read carefully before starting every operation, the information contained in this booklet, which are related to the safety, the installation, the usage and the maintenance.*
- *The equipment must be used only for the use, it was conceived for, and only by expert people.*
- *The installation, the maintenance and the fixing must be done only by an authorized specialized and qualified technical assistance centre, and only by highly professional qualified personnell, in obedience to the in force laws and based on the instructions given by the constructor. (only original spare parts).*
- *The Building House reclines every kind of responsibility for direct or indirect damages caused by a wrong installation, tampering or bad maintenance, improper use and if the rules contained in the instruction booklet are not followed.*

1.0 DESCRIPTION AND FEATURES

1.1 Generality

The extractor hoods are intended to intake and purify the air through the filters. The hood structure, the upper panels and the labyrinth filters are completely made of stainless steel AISI 304 type 18/10.

The iron plates are satin-finished thanks to the Scotch-Brite technique and protected by a PVC film. The assembly is carried out through spot welding and/or electrical welding (TIG), the internal parts are turndown, with an anti-wound edge. The anti-grease filters are removable and placed in the tube for the grease collection, shaped on purpose.

The internal edge is shaped in order to collect the condensate and route it into the drain tap.

The intake group, if there is one, is placed inside the hood's structure and its engine is incorporated into the fan, compact, silent and with a high performance; power 230/1/50. On demand, it is possible to combine the speed changer, which allows an optimal control on the intake group performance.

The lighting system has fluorescent lamps running at 230v – 50Hz, with powers of 20 or 40w each.

1.2 Identification label (ID)

The ID with CE brand is furnished, only for those hoods with the built-in fan, together with the conformity declaration and indicates the dates related to the machine.

1.3 Supply description

The supply consists of a self-bearing structure, furnished with tamponing at the upper closing.

What accomplishes the supply is:

Anti-grease filters;

Fan (on demand);

Tin-plated lamp (on demand);

Electronic speed regulator of the fan (on demand).

1.4 Package

As it is moved, the hood is protected by a pallet extendable package or by a wooden cage. The package must be disposed complying with the environment and the in force laws.

7.0 SPARE PARTS

ELEMENTO	IDENTIFICAZIONE	SOSTITUZIONE
<i>Regulator</i>	<i>Take it off from the seating</i>	<ol style="list-style-type: none"><i>1. Remove the anterior carter of the regulator.</i><i>2. Free the connectors.</i><i>3. Unhook the electronical platen from the unified binary.</i> <p><i>ATTENTION: MAKE SURE THAT THE POWER IS OFF</i></p>

6.0 GUIDE TO FIND THE BREAKDOWN

KIND OF BREAKDOWN	POSSIBLE CAUSE	SOLUTION
The hood can't intake the air	Command and control systems placed outside the hood are damaged	Verify the right working of each device.
	Wrong engine wiring	Re-enable the right wiring
	Burned engine	Replace with a spare part
	Fan blocked by a foreign body	Remove the foreign body with a suitable tool and verify the absence of strange noises and vibration during the working.
	Jammed filters	Remove filters, clean them and put them back into the hood.
The tin-plated lamp doesn't work	Command and control systems placed outside the hood are damaged	Verify the right working of each device.
	Wrong lamp wiring	Re-enable the right wiring
	The reactor broke down	Replace the reactor
The fan stops and restarts by itself	The engine is out of absorption	Insert the calibration rolling shutter on the ejection tube. Contact our technical office.

7.0 SPARE PARTS

ELEMENT	IDENTIFICATION	REPLACEMENT
Filter	Take it out from the hood and measure it	Slip off the filter that must be replaced from the guidelines and slip on the new one.
Fan	Read the ID placed on the side of the fan.	<ol style="list-style-type: none"> 1. Remove the filters in order to access to the fan. 2. Disconnect the electrical wirings. 3. Release the four fastening screw nuts of the fan. <p><u>ATTENTION: MAKE SURE THAT THE POWER IS OFF</u></p>
Lamp	Verify the length: Lg. 130 cm = 40w Lg. 63 cm = 20w	<ol style="list-style-type: none"> 1. Release the two ring nuts at the opposite tips of the protection tube made of polycarbonate, spin the neon tube to 90° and extract it from the seating. 2. Slip off the neon tube from the polycarbonate protection and replace it. 3. Reassemble everything with the inverted steps. <p><u>ATTENTION: MAKE SURE THAT THE POWER IS OFF</u></p>

2.0 SAFETY MEASURES

Pieces of information for the worker regarding the safety measures that must be followed in order to grant the people safety and the hood wholeness.

2.1 Placements rules

The company who carries out the placement must be enabled complying with the in force laws.

The hood mustn't be placed in a vitriolic or propellant space.

In case of motorized hood, install a sectioner on the electric line.

Don't set the hood in motion before having earthed it.

2.2 Rules for the user

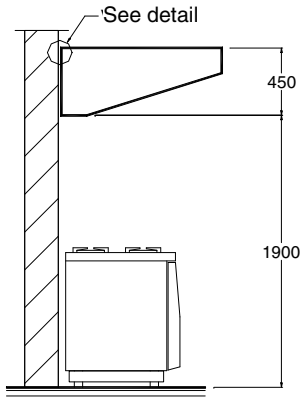
The user of the hood described in this booklet is not exposed to particular risks because the command operations are carried out in a not dangerous position.

2.3 Rules for the person in charge of the maintenance

Before starting with any kind of maintenance, isolate electrically the hood through the line sectioner.

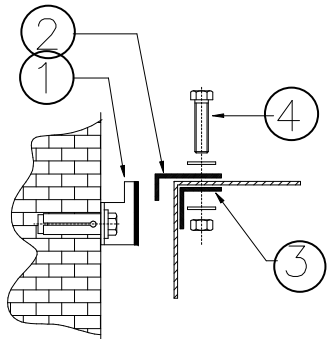
3.0 PLACEMENT INSTRUCTION

3.1 How to place the hood on the wall



INSTRUCTIONS

- Position the fan on the place where it's supposed to be placed.
- The external dimensions of the hood must overpass 20 – 40 cm per side the ones of the piece of equipment.
- The floor height must be between 1900 and 2000 millimeters and the distance between the cooking surface and the lowest part of the hood must be maximum 1000mm.
- The hood outfall must be routed into a stack, which is only used by the hood and comply with the in force laws.



INSTRUCTIONS

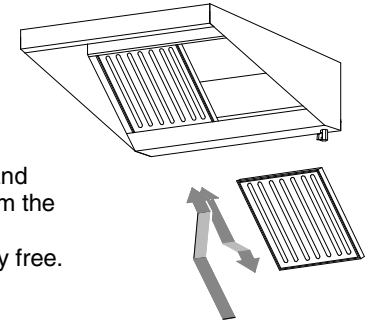
- Fasten the backing ① on the wall through screws and plugs.
- Fasten square ② to square ③ through screws closing between them the upper part of the hood.
- Hang square ② to the backing ①.
- Set the screw ④ in order to place the hood correctly with the job ticket.

ATTENTION

Verify that the wall is strong enough, and if not, perform the necessary building works. Even up the hood weight to all the anchorages.

5.0 PERIODICAL MAINTENANCE

5.1 Filters dismantle



The filters can be dismantled taking them from the left and right side, making them scroll up so that they slip off from the lower guideline. With a light spin of the lower part, the filter is completely free. Reassembly with inverted steps.

5.2.1 Maintenance planning .

ELEMENT	GOING OVER	FREQUENCY	ACTION	HOW TO DO
Metallic structure	Visual	Depending on the use	Use a soft humid cloth soaked with a neutral washing powder, a wooden or plastic scraper for possible incrustation.	
Anti-grease filters	Visual	At least once a week	Leave them in hot water with an alkalyne washing powder. If necessary, clean the incrustations with a soft brush.	Slip off filters from the channel grease
Hood	Visual	At least once a month.	Clean with alkalyne washing powder.	Take off the protections grids and work from the round openings placed on the fan side.
Fat drainage	Periodical	At least once a week	Fat dump	Open the dump tap placed under the hood.

USER INSTRUCTIONS

Push the ignition button, so the extractor fan begins to work at the “3” speed (see on display) on the display.

If necessary now, it is possible now to work on the buttons + and - in order to change the extractor fan speed.

After 20 seconds from the ignition, it is ordered the opening of the gas valve (if linked).

CHANGING OF THE WORKING PARAMETERS

In order to change the working parameters of the regulator, please read the manual. (on request)

WARNING AND USAGE LIMITS

Make sure that the power net details and the load that must be put on match the plate parameters of the regulator.

Verify that the link clamp screws are screwed up.

Verify that the closing screws of the box and the cable connection are well screwed up.

Usage limits: highest temperature: 70°C – We suggest not to put Fry Top / TP / molten under the left side of the hood.

ATTENTION

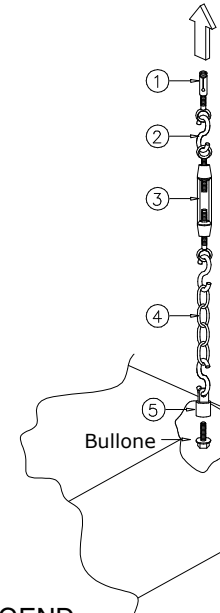
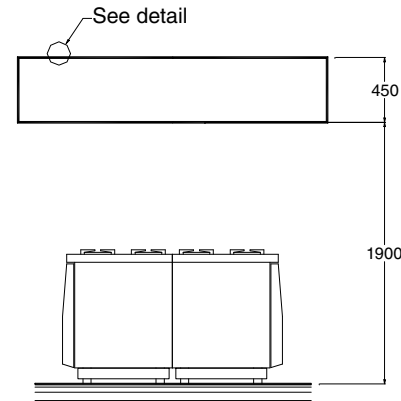
- IT IS COMPULSORY TO PUT A BIPOLAR SAFETY SWITCH ON THE TOP OF THE REGULATOR
- THE INSTALLATION MUST BE CARRIED OUT BY A PERSONNEL WHICH IS PROFESSIONALLY QUALIFIED IN THE FIELD OF THE ELECTRICAL COMPONENTS FOR CIVIL AND INDUSTRIAL USAGE
- THIS DEVICE MUST BE USED ONLY FOR THE USE IT WAS EXPRESSLY BUILT FOR.
- THEREFORE IT IS DECLINED BY THE BUILDER EVERY RESPONSIBILITY FOR THOSE DAMAGES CAUSED BY IMPROPER USE.
- THIS BOOKLET IS INTEGRAL AND ESSENTIAL PART OF THE PRODUCT.

START- UP

Before proceeding with the first start-up:

- Go over the electrical panel which displays the engine power and make sure that the protections have been calibrated to the ampère plate.
- Verify that the net tension is suitable to the engine one, indicated on the labels.
- Verify that the spin way agrees with the arrow displayed on the cochlea.

3.2 How to place the hood on the ceiling



LEGEND:

1. Plug;
2. “S” hook;
3. Tensioner;
4. Chain;
5. Eye bolt;

INSTRUCTIONS

- Position the hood on the place where it's supposed to be placed.
- The external dimensions of the hood must overpass 20 – 40 cm per side the ones of the piece of equipment.
- The floor height must be between 1900 and 2000 millimeters and the minimum distance between the cooking surface and the lowest part of the hood must be maximum 1000mm.
- The hood outfall must be routed into a stack, which is only used by the hood and comply with the in force laws.
- Perforate the wall respecting the amounts indicated in the tables.
- Fasten through wedge screws of a proportioned dimension.

INSTRUCTIONS

- Fasten the “S” hook ② on the ceiling through screws and plugs ①.
- Up the hood until the right high and connect the line with “S” hook, tensioner and chain to the eye bolt ⑤ fixed on each corner of the hood.
- Set the hood using tensioner ③

ATTENTION:

Verify that the wall is strong enough and, if not, perform the necessary building works. Even up the fan weight to all the anchorages.

4.0 HOW TO CARRY OUT THE ELECTRICAL CONNECTIONS OF THE FAN

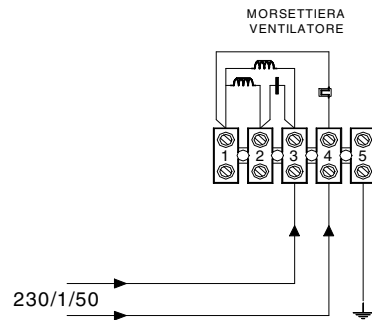
Before starting with the connections:

Check the electrical board and verify that the protections are suitable for the plate ampère.

Verify that the net tension is appropriate to the engines one indicated on the label.

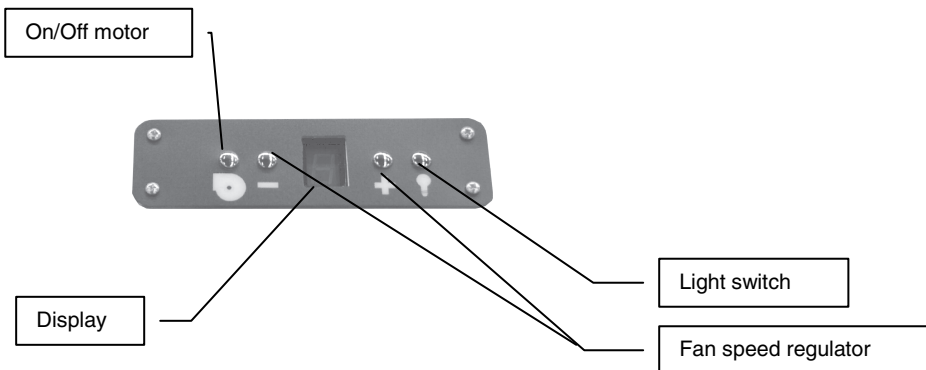
4.1 Connection to the electrical net

The following scheme shows the connection of a monophasic electrical fan directly to the electrical line.

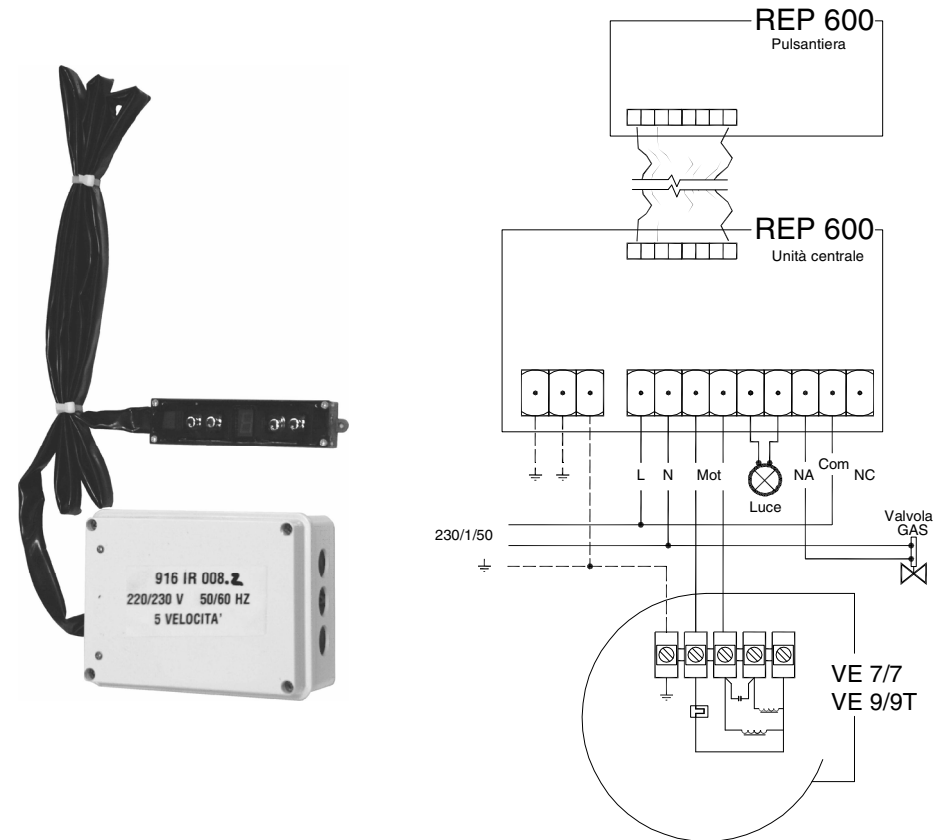


4.2 Connections with an electrical regulator (Joker hoods)

Front button cover



LAY-OUT AND WIRING CONNECTIONS



REP 600 Technical details

Power	230/50/1
Nominal power	1000w
Protection	IP50
Highest start power	6A
Protection fuse	6A (ritardato)
One-polar power relay lamp	230V/3A
One polar power relay gas valve	230V/3A
Delay start gas valve	15 sec.
Pre-calibrated minimum speed	80% - 100% in 5 steps
Over voltage protection	VDR